

System cable - FLK 50/EZ- DR/D37SUB/300/Y81P-O - 2302638

<https://www.phoenixcontact.com/in/products/2302638>

Please be informed that the data shown in this PDF document is generated from our Online Catalog. Please find the complete data in the user documentation. Our General Terms of Use for Downloads are valid.

Round cable set; controller: Mitsubishi Electric MELSEC Q (Y81P); connection 1: D-SUB socket strip (1x 37-position); connection 2: IDC/FLK socket strip (1x 50-position); cable length: 3 m



System cable - FLK 50/EZ- DR/D37SUB/300/Y81P-O - 2302638



<https://www.phoenixcontact.com/in/products/2302638>

Commercial Data

Order Key	2302638
Packing unit	1 pc
Minimum order quantity	1 pc
Sales Key	CK2
Catalog Page	Page 482 (C-5-2019)
GTIN	4017918910242
Weight per Piece (including packing)	606.9 GRM
Weight per Piece (excluding packing)	606.9 GRM
Customs tariff number	85444290
Country of origin	DE

System cable - FLK 50/EZ- DR/D37SUB/300/Y81P-O - 2302638



<https://www.phoenixcontact.com/in/products/2302638>

Technical Data

Product properties

Insulation characteristics

Overvoltage category	II
Pollution degree	2
Insulation	Functional insulation

Ambient conditions

Degree of protection	IP00 ≥ IP54 (Installation location)
Ambient temperature (operation)	-40 °C ... 70 °C (fixed installation) -10 °C ... 70 °C (flexible installation)
Ambient temperature (storage/transport)	-40 °C ... 80 °C
Altitude	≤ 2000 m
Resistance to oil	can withstand occasional splashes (raw cable)

Electrical properties

Max. permissible operating voltage	25 V AC 60 V DC
Nominal operating mode	100% operating factor
Max. current carrying capacity per path	1 A (50 °C) 0.6 A (70 °C)
Rated insulation voltage	63 V
Rated surge voltage	0.6 kV

Supported controller MITSUBISHI MELSEC Q

Suitable I/O card	QY81P
-------------------	-------

Cable / line

Cable specification	Cable for one module
---------------------	----------------------

Cable structure

Type of cable	Round cable set
External cable diameter	10.3 mm ±0.4 mm
Outer sheath, material	Semi-rigid PVC
External sheath, color	gray
Single wire, number of litz wires	7
Single wire, material	Cu tin-plated
Wire diameter incl. insulation	1 mm ±0.03 mm
Single wire, cross section	0.14 mm ²
Single wire, cross section [AWG]	26
Shielding	no

System cable - FLK 50/EZ- DR/D37SUB/300/Y81P-O - 2302638



<https://www.phoenixcontact.com/in/products/2302638>

Electrical properties

Conductor resistance	≤ 145 Ω/km (20 °C)
Cable insulation resistance	≥ 20 MΩ/km (20 °C)

Mechanical properties

Smallest bending radius, fixed installation	86 mm
Smallest bending radius, movable installation	161 mm
Bending cycles	5000 (at a radius of ≥ 15x outside diameter)

Ambient conditions

Halogen-free	No
Resistance to oil	can withstand occasional splashes (raw cable)
Flame resistance	IEC 60332-1-2 (raw cable)
	VDE 0842, Part 332-1-2 (raw cable)
	IEC 60332-3-22 (raw cable)
	UL VW-1
	CSA FT-1

color code

D-SUB37 (17)	IDC/FLK50 (1) = black
D-SUB37 (18)	IDC/FLK50 (2) = brown
D-SUB37 (1)	IDC/FLK50 (3) = red
D-SUB37 (20)	IDC/FLK50 (4) = orange
D-SUB37 (2)	IDC/FLK50 (5) = yellow
D-SUB37 (21)	IDC/FLK50 (6) = green
D-SUB37 (3)	IDC/FLK50 (7) = blue
D-SUB37 (22)	IDC/FLK50 (8) = violet
D-SUB37 (4)	IDC/FLK50 (9) = gray
D-SUB37 (23)	IDC/FLK50 (10) = white
D-SUB37 (19)	IDC/FLK50 (11) = white-black
D-SUB37 (37)	IDC/FLK50 (12) = white-brown
D-SUB37 (17)	IDC/FLK50 (13) = white-red
D-SUB37 (18)	IDC/FLK50 (14) = white-orange
D-SUB37 (5)	IDC/FLK50 (15) = white-yellow
D-SUB37 (24)	IDC/FLK50 (16) = white-green
D-SUB37 (6)	IDC/FLK50 (17) = white-blue
D-SUB37 (25)	IDC/FLK50 (18) = white-violet
D-SUB37 (7)	IDC/FLK50 (19) = white-gray
D-SUB37 (26)	IDC/FLK50 (20) = brown-black
D-SUB37 (8)	IDC/FLK50 (21) = brown-red
D-SUB37 (27)	IDC/FLK50 (22) = brown-orange
D-SUB37 (19)	IDC/FLK50 (23) = brown-yellow
D-SUB37 (37)	IDC/FLK50 (24) = brown-green
D-SUB37 (17)	IDC/FLK50 (25) = brown-blue

System cable - FLK 50/EZ- DR/D37SUB/300/Y81P-O - 2302638

<https://www.phoenixcontact.com/in/products/2302638>

D-SUB37 (36)	IDC/FLK50 (26) = brown-violet
D-SUB37 (9)	IDC/FLK50 (27) = brown-gray
D-SUB37 (28)	IDC/FLK50 (28) = brown-white
D-SUB37 (10)	IDC/FLK50 (29) = green-black
D-SUB37 (29)	IDC/FLK50 (30) = green-brown
D-SUB37 (11)	IDC/FLK50 (31) = green-red
D-SUB37 (30)	IDC/FLK50 (32) = green-orange
D-SUB37 (12)	IDC/FLK50 (33) = green-blue
D-SUB37 (31)	IDC/FLK50 (34) = green-violet
D-SUB37 (19)	IDC/FLK50 (35) = green-gray
D-SUB37 (37)	IDC/FLK50 (36) = green-white
D-SUB37 (36)	IDC/FLK50 (37) = yellow-black
D-SUB37 (18)	IDC/FLK50 (38) = yellow-brown
D-SUB37 (13)	IDC/FLK50 (39) = yellow-red
D-SUB37 (32)	IDC/FLK50 (40) = yellow-orange
D-SUB37 (14)	IDC/FLK50 (41) = yellow-blue
D-SUB37 (33)	IDC/FLK50 (42) = yellow-violet
D-SUB37 (15)	IDC/FLK50 (43) = yellow-gray
D-SUB37 (34)	IDC/FLK50 (44) = yellow-white
D-SUB37 (16)	IDC/FLK50 (45) = gray-black
D-SUB37 (35)	IDC/FLK50 (46) = gray-brown
D-SUB37 (19)	IDC/FLK50 (47) = gray-red
D-SUB37 (37)	IDC/FLK50 (48) = gray-orange

Connection data

Field level

Connection in acc. with standard	IEC 60603-13
Connection method	IDC/FLK socket strip
Number of connections	1
Number of positions	50
Insertion/withdrawal cycles	> 50
Pitch	2.54 mm

Controller level

Connection in acc. with standard	IEC 60807-2 DIN 41652
Connection method	D-SUB socket strip
Screw thread	M2,5
Number of connections	1
Number of positions	37
Torque	0.2 Nm
Insertion/withdrawal cycles	> 200

Standards and regulations

System cable - FLK 50/EZ- DR/D37SUB/300/Y81P-O - 2302638



<https://www.phoenixcontact.com/in/products/2302638>

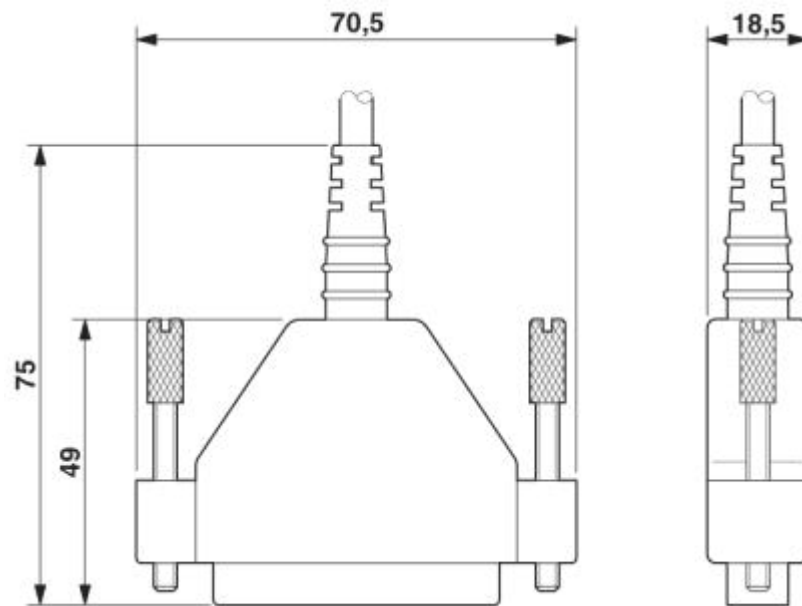
Gasoline resistance	can withstand occasional splashes (raw cable)
Flame resistance	IEC 60332-1-2 (raw cable)
	VDE 0842, Part 332-1-2 (raw cable)
	IEC 60332-3-22 (raw cable)
	UL VW-1
CSA FT-1	
Resistance to oil	can withstand occasional splashes (raw cable)
Air clearances and creepage distances	
Standards/regulations	DIN EN 50178

System cable - FLK 50/EZ- DR/D37SUB/300/Y81P-O - 2302638

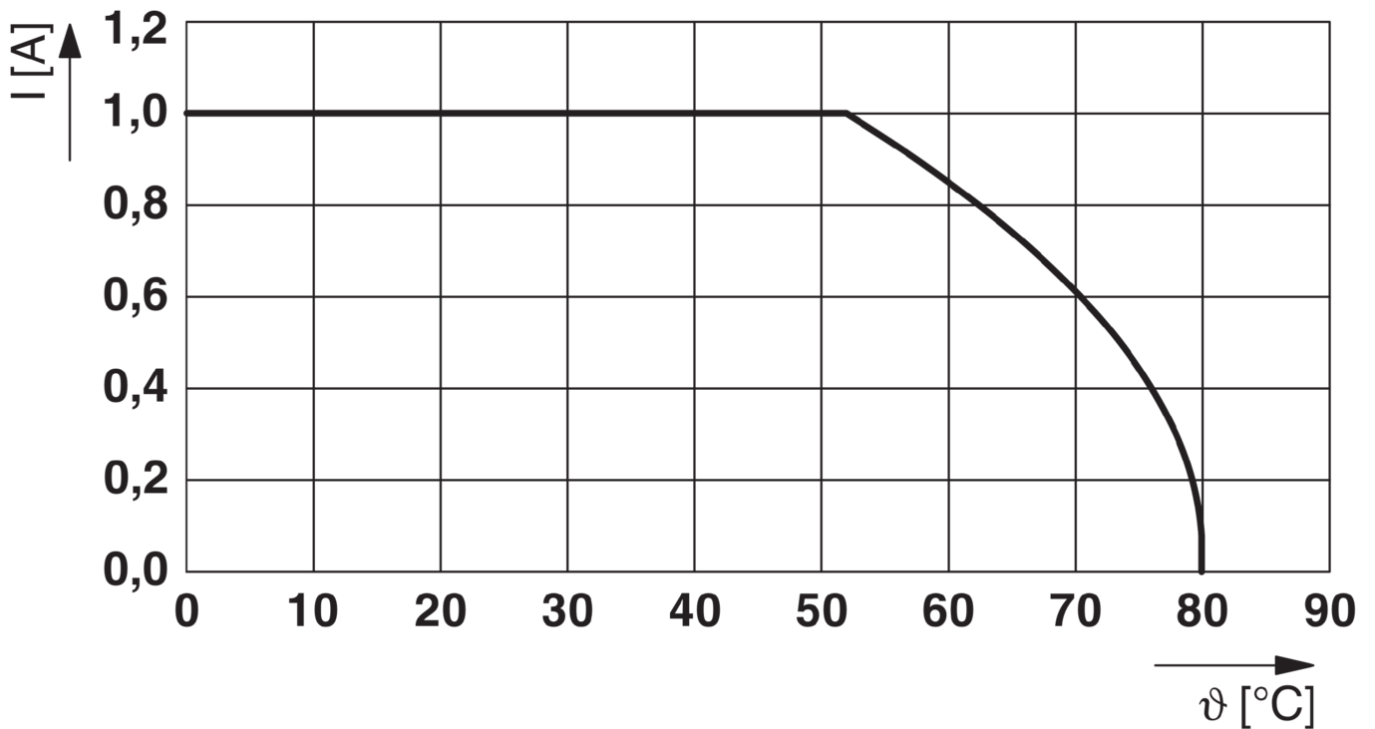
<https://www.phoenixcontact.com/in/products/2302638>

Drawings

Dimensional drawing



Diagram




System cable - FLK 50/EZ- DR/D37SUB/300/Y81P-O - 2302638



<https://www.phoenixcontact.com/in/products/2302638>

Approvals

UL Listed 

Nominal voltage U_N	125 V
Nominal current I_N	1 A

cUL Listed 

Nominal voltage U_N	125 V
Nominal current I_N	1 A

EAC 

cULus Listed

System cable - FLK 50/EZ- DR/D37SUB/300/Y81P-O - 2302638



<https://www.phoenixcontact.com/in/products/2302638>

Environmental Product Compliance

REACH SVHC	Lead 7439-92-1
China RoHS	Environmentally Friendly Use Period = 50 years
China RoHS	For details about hazardous substances go to tab "Downloads", Category "Manufacturer's declaration"

System cable - FLK 50/EZ- DR/D37SUB/300/Y81P-O - 2302638

<https://www.phoenixcontact.com/in/products/2302638>

Accessories

Marker carrier cable

Marker carrier cable - KME - 0807083



Cable marker carrier, white, unlabeled, mounting type: Assembly with cable binders, cable diameter: > 5 mm, lettering field size: 20 mm x 8 mm

Phoenix Contact 2021 © - all rights reserved
<https://www.phoenixcontact.com>

PHOENIX CONTACT (I) Pvt. Ltd.
A-58/2, Okhla Industrial Area, Phase - II, New Delhi-110 020

+91.1275.71420
info@phoenixcontact.co.in