

Stackable housing - DC-B 6-HD-M25-M - 1602054


Please be informed that the data shown in this PDF Document is generated from our Online Catalog. Please find the complete data in the user's documentation. Our General Terms of Use for Downloads are valid (<http://phoenixcontact.com/download>)



DUPLICON, aluminum stackable housing for DUPLICON contact inserts, type B6, IP67 protection, with two locking latches, gasket and an M25 cable screw connection thread (without cable screw connection)



Key Commercial Data

Packing unit	1 pc
GTIN	 4 046356 027755
GTIN	4046356027755
Weight per Piece (excluding packing)	166.390 g
Custom tariff number	85389099
Country of origin	Slovenia

Technical data

Dimensions

Height	37 mm
Width	45.4 mm
Length	89 mm

Ambient conditions

Degree of protection of housing (IP)	IP65
	IP66
	IP67
Ambient temperature (operation)	-40 °C ... 125 °C

General

Size	DC-B6
------	-------

Stackable housing - DC-B 6-HD-M25-M - 1602054

Technical data

General

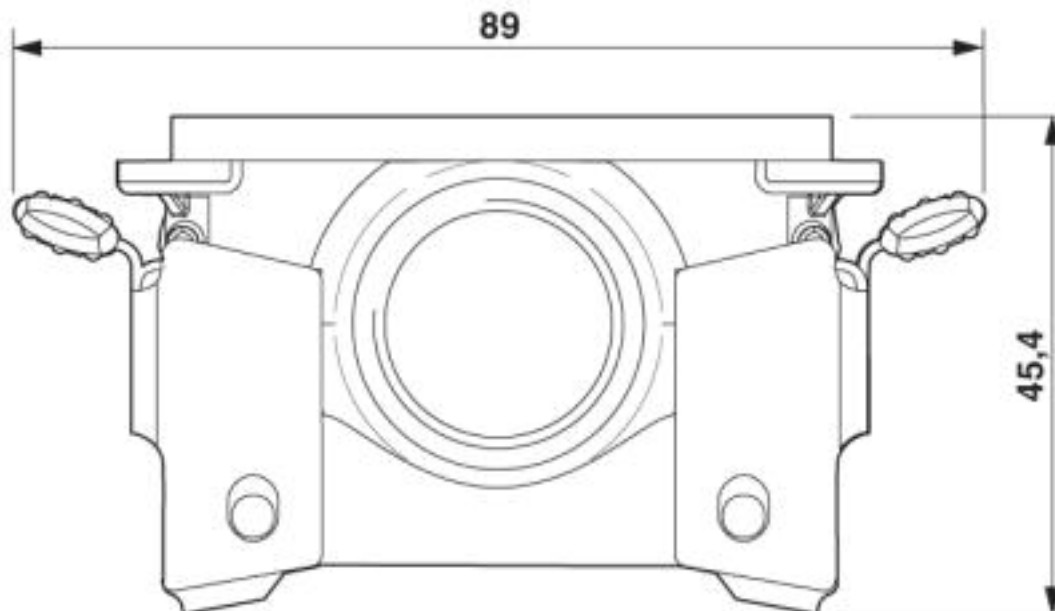
Housing type	Stackable housing
Color	gray
Locking type	With locking latch
Cable outlet	lateral
Screw connection	none
Type of the screw connection	with M25 thread
Housing material	Aluminum die-cast
Housing surface material	EMC-conductive
Seal material	NBR
Material lock	Stainless steel
Material grip body interlock	PA

Environmental Product Compliance

China RoHS	Environmentally friendly use period: unlimited = EFUP-e
	No hazardous substances above threshold values

Drawings

Dimensional drawing



Dimensional drawing

Stackable housing - DC-B 6-HD-M25-M - 1602054

Classifications

eCl@ss

eCl@ss 10.0.1	27440202
eCl@ss 4.0	27140800
eCl@ss 4.1	27140800
eCl@ss 5.0	27143400
eCl@ss 5.1	27261200
eCl@ss 6.0	27261200
eCl@ss 7.0	27440202
eCl@ss 8.0	27440202
eCl@ss 9.0	27440202

ETIM

ETIM 2.0	EC000437
ETIM 3.0	EC000437
ETIM 4.0	EC000437
ETIM 5.0	EC000437
ETIM 6.0	EC000437
ETIM 7.0	EC000437

UNSPSC

UNSPSC 6.01	31261502
UNSPSC 7.0901	31261502
UNSPSC 11	31261502
UNSPSC 12.01	31261502
UNSPSC 13.2	31261501

Approvals

Approvals

Approvals

VDE Gutachten mit Fertigungsüberwachung

Ex Approvals

Approval details

Stackable housing - DC-B 6-HD-M25-M - 1602054

Approvals

VDE Gutachten mit Fertigungsüberwachung		http://www2.vde.com/de/Institut/Online-Service/VDE-gepruefteProdukte/Seiten/Online-Suche.aspx	40017400
Nominal voltage UN		690 V	
Nominal current IN		25 A	

Accessories

Accessories

Device marking

Label - EML (26,5X12)R SR - 0816854



Label, Roll, silver/matt, unlabeled, can be labeled with: THERMOMARK ROLLMASTER 300/600, THERMOMARK X1.2, THERMOMARK ROLL X1, THERMOMARK ROLL 2.0, THERMOMARK ROLL, mounting type: adhesive, lettering field size: 26.5 x 12 mm, Number of individual labels: 2500

Full screw connection

Cable gland - HC-M-KV-M25(14-21) - 1646007



Metal screw connection up to 5 bar, thread length: 7 mm, cable diameter: 14 - 21 mm, WAF 34, screw connection: M25

Seal

Seal - DC-B 6-A-HD-G - 1602326



DUPLICON, profile gasket for stackable housing, made of conductive EPDM