

Male insert - ICC-MT 0,5-1,0 BA - 3190603

Please be informed that the data shown in this PDF Document is generated from our Online Catalog. Please find the complete data in the user's documentation. Our General Terms of Use for Downloads are valid (<http://phoenixcontact.com/download>)



Module male contact, is inserted into the ICC connector shell after the conductor has been crimped, for conductors from 0.5-1.0 mm², ribbon contact

Supplied in tape form - please note the drawing.



Key Commercial Data

Packing unit	4000 pc
Minimum order quantity	4000 pc
GTIN	
GTIN	4017918100582

Technical data

General

Nominal current	12 A (with 1 mm ² conductor cross section)
Conductor cross section flexible min.	0.5 mm ²
Max. conductor cross section, flexible	1 mm ²

Connection data

Core diameter including insulation	1.4 mm ... 2.31 mm
Stripping length of individual wires	3.5 mm

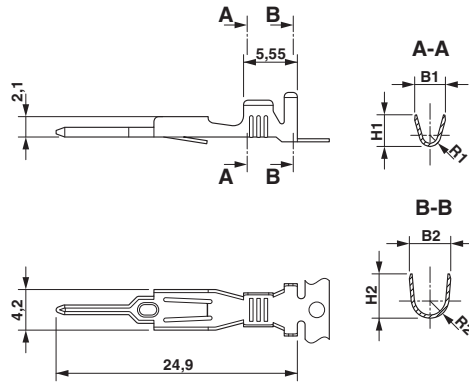
Environmental Product Compliance

China RoHS	Environmentally friendly use period: unlimited = EFUP-e
	No hazardous substances above threshold values

Drawings

Male insert - ICC-MT 0,5-1,0 BA - 3190603

Dimensional drawing



Approvals

Approvals

Approvals

EAC

Ex Approvals

Approval details

EAC		B.01742
-----	--	---------

Phoenix Contact 2019 © - all rights reserved
<http://www.phoenixcontact.com>

PHOENIX CONTACT GmbH & Co. KG
Flachsmarktstr. 8
32825 Blomberg
Germany
Tel. +49 5235 300
Fax +49 5235 3 41200
<http://www.phoenixcontact.com>