

Panel mounting frames - VC-AR3/4M-PEA - 1607787

Please be informed that the data shown in this PDF Document is generated from our Online Catalog. Please find the complete data in the user's documentation. Our General Terms of Use for Downloads are valid (<http://phoenixcontact.com/download>)



Panel mounting frame, with PE, for VARIOCON supporting base elements, type 3, number of insert modules 4

Your advantages

- Space-saving PE connection to metal housing
- Any position can be a PE contact



Key Commercial Data

Packing unit	1 pc
GTIN	
GTIN	4017918948900

Technical data

General

Note	Required for supporting base elements and voltages > 42 V
Size	VC3
Conductor cross section	0.5 mm ² ... 4 mm ² (for PE conductor)

Ambient conditions

Ambient temperature (operation)	-40 °C ... 125 °C
---------------------------------	-------------------

Material data

Housing material	PA 6.6
Contact material	CuZn
Contact surface material	Nickel-plated

Standards and Regulations

Halogen-free	yes
Flammability rating according to UL 94	V0

Environmental Product Compliance

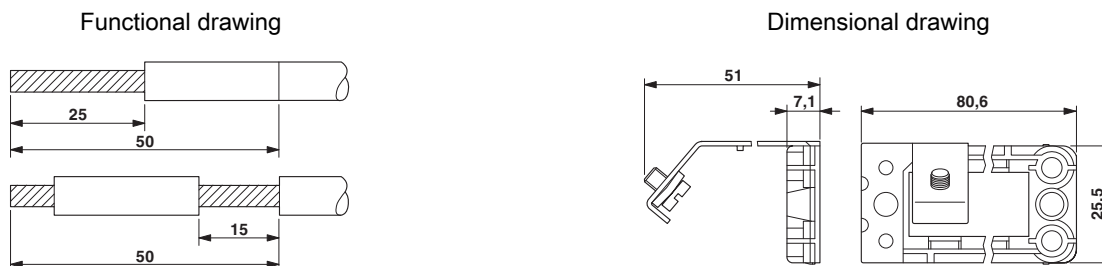
Panel mounting frames - VC-AR3/4M-PEA - 1607787

Technical data

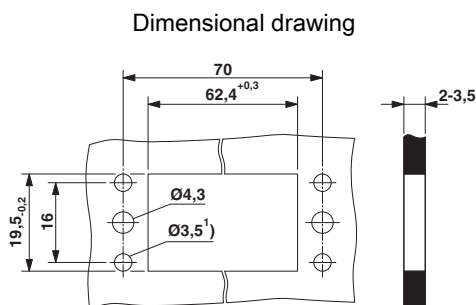
Environmental Product Compliance

China RoHS	Environmentally friendly use period: unlimited = EFUP-e
	No hazardous substances above threshold values

Drawings



Installation note:
 The frame has a PE sheet with a PE connection. Strip the PE conductor 20 mm and slit the insulation over a length of 50 mm. Push the slit insulation forward by 15 mm. Connect the PE contact of the module and clamp it to the PE metal under the PE screw.



Approvals

Approvals

Approvals

EAC

Ex Approvals

Approval details

Panel mounting frames - VC-AR3/4M-PEA - 1607787

Approvals

EAC



B.01742

Phoenix Contact 2019 © - all rights reserved
<http://www.phoenixcontact.com>

PHOENIX CONTACT GmbH & Co. KG
Flachsmarktstr. 8
32825 Blomberg
Germany
Tel. +49 5235 300
Fax +49 5235 3 41200
<http://www.phoenixcontact.com>