

Printed-circuit board connector - DMCV 1,5/ 2-G1F-3,5-LR P35 - 1053972

Please be informed that the data shown in this PDF Document is generated from our Online Catalog. Please find the complete data in the user's documentation. Our General Terms of Use for Downloads are valid (<http://phoenixcontact.com/download>)

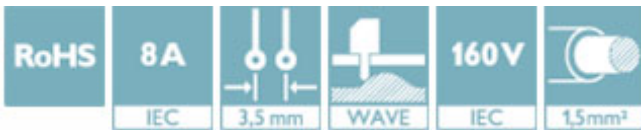


PCB headers, nominal current: 8 A, rated voltage (III/2): 160 V, number of positions: 2, pitch: 3.5 mm, color: green, contact surface: Tin, mounting: Wave soldering

The figure shows a 2-pos. version with 4 contacts

Your advantages

- ✓ Automatic locking and intuitive release through Lock and Release operating lever in contrasting color
- ✓ Conductor connection on several levels enables higher contact density
- ✓ Small component size for applications where space is at a premium
- ✓ Vertical connection enables multi-row arrangement on the PCB



Key Commercial Data

Packing unit	50 pc
Minimum order quantity	50 pc
GTIN	
GTIN	4055626687766

Technical data

Dimensions

Length [l]	10.6 mm
Width	14 mm
Pitch	3.5 mm
Dimension a	3.5 mm
Width [w]	14 mm
Height [h]	13.5 mm
Height	10 mm
Length of the solder pin	3.5 mm
Pin dimensions	0.8 x 0.8 mm
Pin spacing	5.50 mm

Printed-circuit board connector - DMCV 1,5/ 2-G1F-3,5-LR P35 - 1053972

Technical data

Dimensions

Length	10.6 mm
--------	---------

General

Range of articles	DMCV 1,5/..-G1F
Insulating material group	IIIa
Rated surge voltage (III/3)	2.5 kV
Rated surge voltage (III/2)	2.5 kV
Rated surge voltage (II/2)	2.5 kV
Rated voltage (III/3)	160 V
Rated voltage (III/2)	160 V
Rated voltage (II/2)	250 V
Connection in acc. with standard	EN-VDE
Nominal current I_N	8 A
Maximum load current	8 A
Flammability rating according to UL 94	V0
Color	green
Number of positions	2

Packaging information

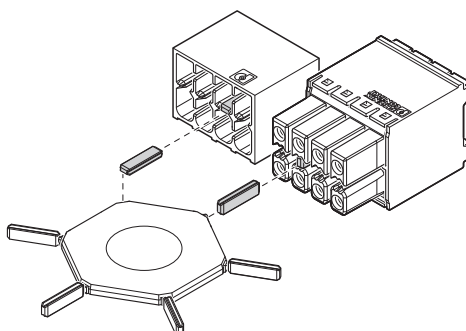
Type of packaging	packed in cardboard
Pieces per package	50
Denomination packing units	Pcs.

Standards and Regulations

Connection in acc. with standard	EN-VDE
Flammability rating according to UL 94	V0

Drawings

Schematic diagram



Use of the CP-DMC... coding profile

Printed-circuit board connector - DMCV 1,5/ 2-G1F-3,5-LR P35 - 1053972

Approvals


Approvals

Approvals

EAC

Ex Approvals

Approval details

EAC		B.01742
-----	---	---------

Phoenix Contact 2019 © - all rights reserved
<http://www.phoenixcontact.com>

PHOENIX CONTACT GmbH & Co. KG
Flachsmarktstr. 8
32825 Blomberg
Germany
Tel. +49 5235 300
Fax +49 5235 3 41200
<http://www.phoenixcontact.com>