

Printed-circuit board connector - DMCV 1,5/12-G1F-3,5-LR P26THR - 1874221

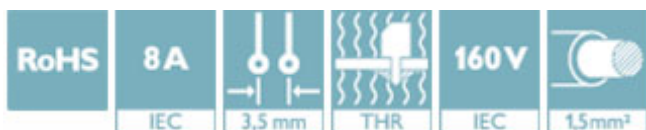
Please be informed that the data shown in this PDF Document is generated from our Online Catalog. Please find the complete data in the user's documentation. Our General Terms of Use for Downloads are valid (<http://phoenixcontact.com/download>)

PCB headers, nominal current: 8 A, rated voltage (III/2): 160 V, number of positions: 12, pitch: 3.5 mm, color: black, contact surface: Tin, mounting: THR soldering




Your advantages

- ✓ Designed for integration into the SMT soldering process
- ✓ Vertical connection enables multi-row arrangement on the PCB
- ✓ Screwable flange for superior mechanical stability
- ✓ Automatic locking and intuitive release through Lock and Release operating lever in contrasting color
- ✓ Small component size for applications where space is at a premium



Key Commercial Data

| | |
|--------------------------------------|---|
| Packing unit | 50 pc |
| Minimum order quantity | 50 pc |
| GTIN |  4 055626 259505 |
| GTIN | 4055626259505 |
| Weight per Piece (excluding packing) | 5.200 g |
| Custom tariff number | 85366930 |
| Country of origin | Germany |

Technical data

Dimensions

| | |
|--------------|---------|
| Length [l] | 10.6 mm |
| Width | 49 mm |
| Pitch | 3.5 mm |
| Dimension a | 38.5 mm |
| Width [w] | 49 mm |
| Height [h] | 12.6 mm |

Printed-circuit board connector - DMCV 1,5/12-G1F-3,5-LR P26THR - 1874221

Technical data

Dimensions

| | |
|--------------------------|--------------|
| Height | 10 mm |
| Length of the solder pin | 2.6 mm |
| Pin dimensions | 0.8 x 0.8 mm |
| Pin spacing | 5.50 mm |
| Length | 10.6 mm |

General

| | |
|--|---------------------|
| Range of articles | DMCV 1,5/...G1F-THR |
| Insulating material group | IIIa |
| Rated voltage (III/2) | 160 V |
| Nominal current I _N | 8 A |
| Flammability rating according to UL 94 | V0 |
| Color | black |
| Number of positions | 12 |

Standards and Regulations

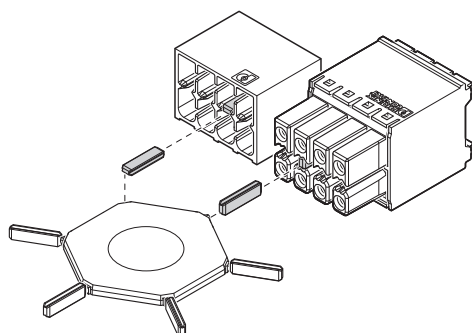
| | |
|--|----|
| Flammability rating according to UL 94 | V0 |
|--|----|

Environmental Product Compliance

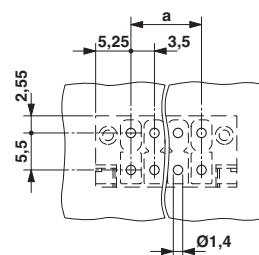
| | |
|------------|---|
| China RoHS | Environmentally friendly use period: unlimited = EFUP-e |
| | No hazardous substances above threshold values |

Drawings

Schematic diagram



Drilling diagram



Classifications

eCl@ss

| | |
|------------|----------|
| eCl@ss 4.0 | 272607xx |
| eCl@ss 4.1 | 27260701 |
| eCl@ss 5.0 | 27260701 |
| eCl@ss 5.1 | 27260700 |

Printed-circuit board connector - DMCV 1,5/12-G1F-3,5-LR P26THR - 1874221

Classifications

eCl@ss

| | |
|------------|----------|
| eCl@ss 6.0 | 27260700 |
| eCl@ss 7.0 | 27440402 |
| eCl@ss 8.0 | 27440402 |
| eCl@ss 9.0 | 27440402 |

ETIM

| | |
|----------|----------|
| ETIM 4.0 | EC002637 |
| ETIM 5.0 | EC002637 |
| ETIM 6.0 | EC002637 |

UNSPSC

| | |
|---------------|----------|
| UNSPSC 6.01 | 30211810 |
| UNSPSC 7.0901 | 39121409 |
| UNSPSC 11 | 39121409 |
| UNSPSC 12.01 | 39121409 |
| UNSPSC 13.2 | 39121409 |

Approvals


Approvals

Approvals

IECEE CB Scheme / VDE Gutachten mit Fertigungsüberwachung / EAC / cULus Recognized

Ex Approvals

Approval details

| | | | |
|--------------------|---|---|-----------------|
| IECEE CB Scheme |  | http://www.iecee.org/ | DE1-60359_B1_B2 |
| Nominal voltage UN | 160 V | | |
| Nominal current IN | 8 A | | |

Printed-circuit board connector - DMCV 1,5/12-G1F-3,5-LR P26THR - 1874221

Approvals

| | | | |
|---|--|---|----------|
| VDE Gutachten mit Fertigungsüberwachung | | http://www2.vde.com/de/Institut/Online-Service/VDE-gepruefteProdukte/Seiten/Online-Suche.aspx | 40038423 |
| Nominal voltage UN | | 160 V | |
| Nominal current IN | | 8 A | |

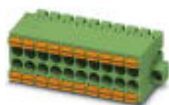
| | | |
|-----|--|---------|
| EAC | | B.01742 |
|-----|--|---------|

| | | | |
|--------------------|-------|---|-----------------|
| cULus Recognized | | http://database.ul.com/cgi-bin/XYV/template/LISEXT/1FRAME/index.htm | E60425-20110128 |
| | D | B | C |
| Nominal voltage UN | 300 V | 300 V | 50 V |
| Nominal current IN | 8 A | 8 A | 8 A |

Accessories

Additional products

Printed-circuit board connector - DFMC 1,5/12-STF-3,5 - 1790399



Plug, nominal current: 8 A, rated voltage (III/2): 160 V, number of positions: 12 with 24 contacts, pitch: 3.5 mm, connection method: spring-cage connection, color: green, contact surface: tin

Printed-circuit board connector - DFMC 1,5/12-ST-3,5-LR - 1790580



Plug, nominal current: 8 A, rated voltage (III/2): 160 V, number of positions: 12 with 24 contacts, pitch: 3.5 mm, connection method: spring-cage connection, color: green, contact surface: tin