

Device connector, rear mounting - SH-8EPC58AH000S - 1627205

Please be informed that the data shown in this PDF Document is generated from our Online Catalog. Please find the complete data in the user's documentation. Our General Terms of Use for Downloads are valid (<http://phoenixcontact.com/download>)



Device connector for rear wall, straight, shielded: yes, for standard and SPEEDCON interlock, M23, No. of pos.: 4+4+4+PE / 3+N+PE, type of contact: Pin, Crimp connection, Flat gasket, Central fastening M26 x 1, Panel thickness min.: 1.5 mm, Panel thickness max.: 5 mm

Your advantages

- ✓ Transmission of signals, data, and power in just a single connector
- ✓ CAT5 data interface for up to 100 Mbps
- ✓ Safe use in the field, thanks to high degree of protection
- ✓ Consistent EMC protection for reliable connection solutions in the industrial environment

Key Commercial Data

| | |
|--------------------------------------|-----------------|
| Packing unit | 1 pc |
| GTIN | 4 055626 408200 |
| GTIN | 4055626408200 |
| Weight per Piece (excluding packing) | 22.220 g |
| Custom tariff number | 85366990 |
| Country of origin | Germany |

Technical data

Temperature range

| | |
|---------------------------------|-------------------|
| Ambient temperature (operation) | -40 °C ... 130 °C |
|---------------------------------|-------------------|

Data of the insulating body

| | |
|--|--|
| Note | Order information: Crimp contacts, 4x Ø 0.8 mm, 4x Ø 1 mm, 5x Ø 2 mm, order separately |
| Data rate | 100 Mbps |
| Coding | N |
| Insulator material | PA 6.6 |
| Insertion/withdrawal cycles mechanical | 100 |
| Contact connection method | Crimp connection |

Device connector, rear mounting - SH-8EPC58AH000S - 1627205

Technical data

Data of the insulating body

| | |
|---|----------------------|
| Type of contacts | Pin |
| Application | Hybrid |
| Number of positions | 13 |
| Contact diameter of power contacts | 2 mm |
| Litz wire cross section of power contacts min. | 0.25 mm ² |
| Litz wire cross section of power contacts max. | 4 mm ² |
| Nominal current per power contact at 25°C | 30 A |
| Rated surge voltage | 6 kV |
| Rated voltage (II/3) power contact | 850 V DC |
| Rated voltage (III/3) power contact | 630 V AC |
| Contact diameter of signal contacts | 1 mm |
| Litz wire cross section of signal contacts min. | 0.06 mm ² |
| Litz wire cross section of signal contacts max. | 1 mm ² |
| Nominal current per signal contact at 25°C | 8 A |
| Rated surge voltage | 1.5 kV |
| Rated voltage (III/3) signal contact | 50 V |
| Contact diameter, data contacts | 0.8 mm |
| Litz wire cross section, data contacts, min. | 0.08 mm ² |
| Litz wire cross section, data contacts, max. | 0.5 mm ² |
| Nominal current per data contact at 25°C | 3.6 A |
| Nominal voltage of data contact | 50 V |
| Rated surge voltage | 1.5 kV |
| Rated voltage (III/3) data contact | 50 V |

Housing data

| | |
|--|-------------------------------------|
| Housing material | CuZn |
| Type of locking | for standard and SPEEDCON interlock |
| Degree of protection (when plugged in) | IP67 |
| Thread type | M23 |

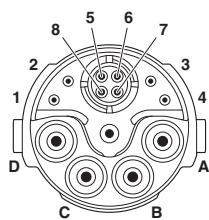
Environmental Product Compliance

| | |
|------------|---|
| REACH SVHC | Lead 7439-92-1 |
| China RoHS | Environmentally Friendly Use Period = 50 |
| | For details about hazardous substances go to tab "Downloads", Category "Manufacturer's declaration" |

Drawings

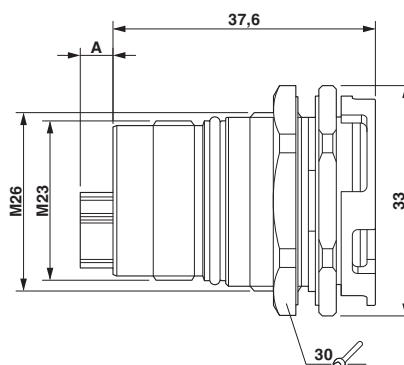
Device connector, rear mounting - SH-8EPC58AH000S - 1627205

Schematic diagram



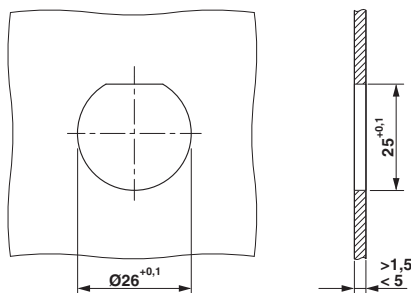
Pin assignment of pin, CAT5

Dimensional drawing



Pin version: dimension A = 4.7 mm, socket version: dimension A = 0 mm

Dimensional drawing



Installation dimensions

Classifications

eCl@ss

| | |
|------------|----------|
| eCl@ss 4.0 | 272607xx |
| eCl@ss 4.1 | 27260701 |
| eCl@ss 5.0 | 27143424 |
| eCl@ss 5.1 | 27143400 |
| eCl@ss 6.0 | 27143400 |
| eCl@ss 7.0 | 27440209 |
| eCl@ss 8.0 | 27440209 |
| eCl@ss 9.0 | 27440209 |

ETIM

| | |
|----------|----------|
| ETIM 4.0 | EC002635 |
| ETIM 6.0 | EC002635 |

Approvals

Approvals

Device connector, rear mounting - SH-8EPC58AH000S - 1627205


Approvals


Approvals


cULus Recognized / UL Recognized / cUL Recognized / cULus Recognized

Ex Approvals

Approval details

| | |
|---|-------|
| cULus Recognized  http://database.ul.com/cgi-bin/XYV/template/LISEXT/1FRAME/index.htm E468743-20150928 | |
| Nominal voltage UN | 600 V |
| Nominal current IN | 16 A |

| | |
|--|-------|
| UL Recognized  http://database.ul.com/cgi-bin/XYV/template/LISEXT/1FRAME/index.htm E153698-20181206 | |
| Nominal voltage UN | 600 V |
| Nominal current IN | 24 A |
| mm ² /AWG/kcmil | 12 |

| | |
|---|--------|
| cUL Recognized  http://database.ul.com/cgi-bin/XYV/template/LISEXT/1FRAME/index.htm E153698-20181206 | |
| Nominal voltage UN | 600 V |
| Nominal current IN | 21.4 A |
| mm ² /AWG/kcmil | 12 |

| | |
|--|--|
| cULus Recognized  | |
|--|--|

Accessories

Accessories

Crimp contact

Device connector, rear mounting - SH-8EPC58AH000S - 1627205

Accessories

Crimp contact - ST-10KP010 - 1618255



Crimp contact, turned, Single contact, contact diameter: 1 mm, crimp range: 0.06 mm² ... 0.25 mm²

Crimp contact - ST-10KP020 - 1618256



Crimp contact, turned, Single contact, contact diameter: 1 mm, crimp range: 0.34 mm² ... 0.5 mm²

Crimp contact - ST-10KP030 - 1618261



Crimp contact, turned, Single contact, contact diameter: 1 mm, crimp range: 0.5 mm² ... 1 mm²

Crimp contact - SF-20KP021 - 1621579



Crimp contact, turned, contact diameter: 2 mm, crimp range: 0.25 mm² ... 1 mm²

Crimp contact - SF-20KP022 - 1621580



Crimp contact, turned, contact diameter: 2 mm, crimp range: 1.5 mm² ... 2.5 mm²

Device connector, rear mounting - SH-8EPC58AH000S - 1627205

Accessories

Crimp contact - SF-20KP023 - 1621581



Crimp contact, turned, contact diameter: 2 mm, crimp range: 2.5 mm² ... 4 mm²

Crimp contact - SF-08KP010 - 1621574



Crimp contact, turned, contact diameter: 0.8 mm, crimp range: 0.08 mm² ... 0.25 mm²

Crimp contact - SF-08KP020 - 1621575



Crimp contact, turned, contact diameter: 0.8 mm, crimp range: 0.34 mm² ... 0.5 mm²

Mounting material

Color-coding - RF-Z0017 - 1620624



Color-coding, color: green

Color-coding - RF-Z0018 - 1620625



Color-coding, color: orange

Device connector, rear mounting - SH-8EPC58AH000S - 1627205

Accessories

Color-coding - RF-Z0019 - 1620626



Color-coding, color: black

Protective cover

Metal protective cap - SH-Z2302 - 1622139



Metal protection cap with steel wire, for M23 hybrid connectors with external thread

Protective cap - SH-Z2304 - 1622137



Plastic protection cap for M23 hybrid connectors with external thread

Metal protective cap - SH-Z2303 - 1622138



Metal protection cap for M23 hybrid connectors with external thread

Sample set - M23 HYBRID_CONTACT-SAMPLE-SET - 1623252



Sample set consisting of 4 x Ø 1.0 mm, 4 x Ø 0.8 mm, 5 x Ø 2.0 mm for all socket and pin contacts for M23 hybrid connectors. Contacts included: 1621573, 1618254, 1621577, 1621575, 1618261, 1621580