

Metal protective cap - SH-Z0077 - 1627226


Please be informed that the data shown in this PDF Document is generated from our Online Catalog. Please find the complete data in the user's documentation. Our General Terms of Use for Downloads are valid (<http://phoenixcontact.com/download>)



Metal protection cap with steel wire and loop, for M23 power and hybrid connectors with knurled nut for fastening to the cable



Key Commercial Data

Packing unit	1
GTIN	 4 055626 293042
GTIN	4055626293042
Custom tariff number	74199990

Technical data

Ambient conditions

Degree of protection	IP67
----------------------	------

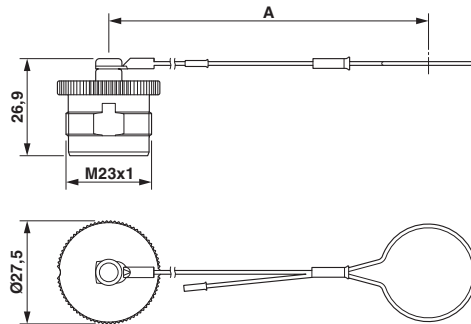
Environmental Product Compliance

REACH SVHC	Lead 7439-92-1
China RoHS	Environmentally Friendly Use Period = 50
	For details about hazardous substances go to tab "Downloads", Category "Manufacturer's declaration"

Drawings

Metal protective cap - SH-Z0077 - 1627226

Dimensional drawing



Dimension A = 250 mm

Classifications

eCl@ss

eCl@ss 5.1	27379100
eCl@ss 6.0	27379200
eCl@ss 7.0	27379201
eCl@ss 8.0	27379201
eCl@ss 9.0	27379201

ETIM

ETIM 5.0	EC002498
ETIM 6.0	EC002498

UNSPSC

UNSPSC 13.2	39121421
-------------	----------