

SMD male connector, shielded - FP 0,8/ 12-MV-SH 1,15 - 1043786

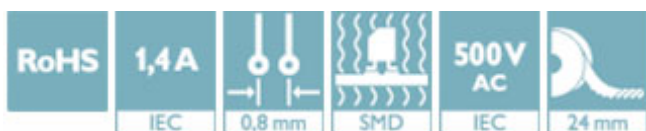
Please be informed that the data shown in this PDF Document is generated from our Online Catalog. Please find the complete data in the user's documentation. Our General Terms of Use for Downloads are valid (<http://phoenixcontact.com/download>)




shielded SMD male connector, Nominal current at 20 °C: 1.4 A, Test voltage: 500 V AC, number of positions: 12, pitch: 0.8 mm, color: black, contact surface: Gold, mounting: SMD soldering

Your advantages

- ✓ Gold-plated contacts ensure transfer quality remains stable over the long term
- ✓ Reliable mechanical and electrical connections, thanks to the double-sided ScaleX contact system
- ✓ Robustness: ScaleX technology for high tolerance compensation and protection of contacts
- ✓ Flexible device design: various numbers of positions, designs, and stack heights with high wipe lengths



Key Commercial Data

Packing unit	500 pc
Minimum order quantity	500 pc
GTIN	 4 055626 616155
GTIN	4055626616155

Technical data

Item properties

Brief article description	SMD male connector, shielded
Plug-in system	Fine Pitch 0,8 mm
Type of contact	Male connector
Electrical characteristic	shielded
Range of articles	FP 0,8/...-MV-SH 1,15
Pitch	0.8 mm
Number of positions	12
Mounting type	SMD soldering
Number of levels	2

Electrical data

Nominal current at 20 °C	1.4 A (52-pos.)
--------------------------	-----------------

SMD male connector, shielded - FP 0,8/ 12-MV-SH 1,15 - 1043786

Technical data

Electrical data

Test voltage	500 V AC IEC 60512-4-1:2003
Contact resistance	≤20 mΩ, (IEC 60512-2-1:2002-02)
Insulation resistance	≥ 5 GΩ, (IEC 60512-3-1:2002-02)

Material data - contact

Note	WEEE/RoHS-compliant, free of whiskers according to IEC 60068-2-82/ JEDEC JESD 201
Contact material	Cu alloy
Surface characteristics	Selective coating
Metal surface contact area (top layer)	Gold (Au)
Metal surface contact area (middle layer)	Nickel (Ni)
Metal surface soldering area (top layer)	Tin (Sn)
Metal surface soldering area (middle layer)	Nickel (Ni)

Material data - housing

Insulating material	LCP
Insulating material group	IIIa
CTI according to IEC 60112	150
Flammability rating according to UL 94	V0

Dimensions for the product

Length [l]	6.1 mm
Width [w]	8.7 mm
Height [h]	5.65 mm
Pitch	0.8 mm
Height (without solder pin)	1.15 mm
Coplanarity	≤ 0.1 mm
Dimension a	4.25 mm

Dimensions for the application

Contact cover	0.8 mm
Overlap length	1.5 mm
Medium offset	± 0.7 mm in longitudinal and transverse direction
Angular tolerance	± 2 ° in longitudinal direction
Stack height	6 mm Tolerance: +1,5 mm (in combination with Range of articles:)
	9 mm Tolerance: +1,5 mm (in combination with Range of articles:)

Packaging information

Type of packaging	24 mm wide tape
Pieces per package	500
Denomination packing units	Pcs.
[W] tape width	24.4 mm
[A] coil diameter	330 mm
[W2] coil overall dimension	30.4 mm

SMD male connector, shielded - FP 0,8/ 12-MV-SH 1,15 - 1043786

Technical data

Packaging information

Outer packaging type	Transparent-Bag
----------------------	-----------------

Ambient conditions

Ambient temperature (operation)	-55 °C ... 125 °C
---------------------------------	-------------------

Mechanical tests

Insertion and withdrawal force per contact	≤ 1.2 N
--	---------

Air clearances and creepage distances

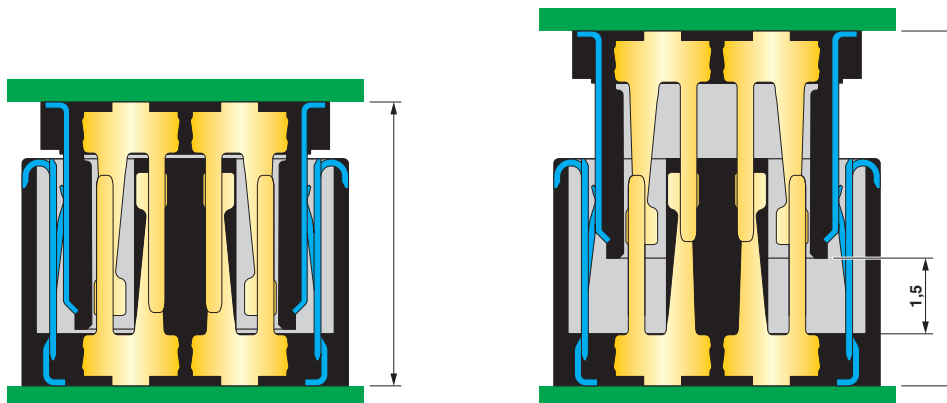
Air clearances and creepage distances	min. 0.25 mm
---------------------------------------	--------------

Service life

Service life	500 Insertion/withdrawal cycles, Performance level 1
--------------	--

Drawings

Schematic diagram



Phoenix Contact 2019 © - all rights reserved
<http://www.phoenixcontact.com>

PHOENIX CONTACT GmbH & Co. KG
Flachsmarktstr. 8
32825 Blomberg
Germany
Tel. +49 5235 300
Fax +49 5235 3 41200
<http://www.phoenixcontact.com>