

Coupler connector - PRC 5-FC-FS6 16-21 - 1410655

Please be informed that the data shown in this PDF Document is generated from our Online Catalog. Please find the complete data in the user's documentation. Our General Terms of Use for Downloads are valid (<http://phoenixcontact.com/download>)



Circular connectors (cable-side), Coupler connector, type: Can only be released with a tool, Housing material: PPE, color: black, number of positions: 5, Min. wire cross section: 1.5 mm², Max. conductor cross section: 6 mm², nom. voltage: 690 V AC, Rated current: 35 A, Connection method: Screw connection, Type of contact: Socket, Min. cable diameter: 16 mm, Max. cable diameter: 21 mm

RoHS

Key Commercial Data

Packing unit	1 pc
Minimum order quantity	10 pc
GTIN	 4 046356 904230
GTIN	4046356904230
Weight per Piece (excluding packing)	89.000 g
Custom tariff number	85366990
Country of origin	Poland

Technical data

General data

Number of positions	5
Protection class	II
Color	black
Locking type	Snap-in locking
Insertion/withdrawal cycles	100
Pull-out-force	175 N ± 50 N
Insertion force	40 N ± 10 N
Degree of protection (when plugged in)	IP66 / IP68 (2m / 24h) / IP69K

Connection data

Rated current	35 A (With 6 mm ² conductor cross section in accordance with IEC 61984)
	32 A (With 6 mm ² conductor cross section in accordance with IEC 61535)

Coupler connector - PRC 5-FC-FS6 16-21 - 1410655

Technical data

Connection data

	21.4 A (With 6 mm ² conductor cross section and 85 °C in accordance with 2 PFG 1915)
	30 A (With 6 mm ² /AWG 10, in accordance with UL 2238)
Nominal voltage ATD	690 V AC (in accordance with IEC 61984)
	500 V AC (in accordance with IEC 61535 / 2 PFG 1915)
	600 V AC (In accordance with UL 2238)
Rated voltage (III/2)	690 V
Conductor cross section flexible min.	1.5 mm ²
Conductor cross section flexible max.	6 mm ²
Conductor cross section solid min.	1.5 mm ²
Conductor cross section solid max.	6 mm ²
Stripping length	12 mm
Torque	max. 1 Nm (Contact screw)
Type of contact	Socket
Stripping length of the sheath	50 mm

Material data

Contact material	Cu
Contact surface material	silver-plated
Contact carrier material	PPE
Flammability rating according to UL 94	V0

Standards and Regulations

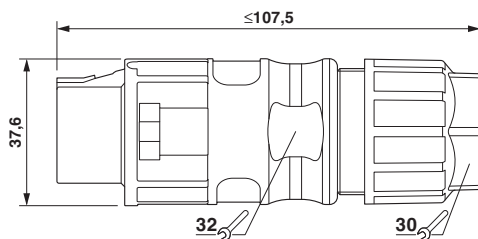
Flammability rating according to UL 94	V0
--	----

Environmental Product Compliance

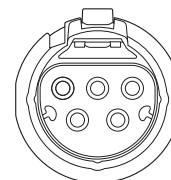
REACH SVHC	Lead 7439-92-1
China RoHS	Environmentally Friendly Use Period = 50
	For details about hazardous substances go to tab "Downloads", Category "Manufacturer's declaration"

Drawings

Dimensional drawing



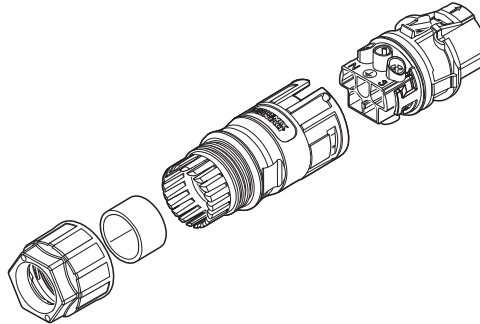
Schematic diagram



Connector pin assignment

Coupler connector - PRC 5-FC-FS6 16-21 - 1410655

Schematic diagram



Schematic design

Classifications

eCl@ss

eCl@ss 5.1	27260700
eCl@ss 6.0	27260700
eCl@ss 7.0	27440102
eCl@ss 8.0	27440102
eCl@ss 9.0	27440103

ETIM

ETIM 4.0	EC002641
ETIM 5.0	EC002061
ETIM 6.0	EC002061

UNSPSC

UNSPSC 13.2	39121413
-------------	----------

Approvals

Approvals

Approvals

DNV GL / TÜV Rheinland / TÜV Rheinland / TÜV Rheinland / UL Listed / cUL Listed / EAC / cULus Listed

Ex Approvals

Approval details

Coupler connector - PRC 5-FC-FS6 16-21 - 1410655


Approvals


DNV GL		http://exchange.dnv.com/tari/	TAE00002KM
--------	---	---	------------

TÜV Rheinland	http://www.certipedia.com		R 60117908
Nominal voltage UN	500 V		
Nominal current IN	21.4 A		
mm ² /AWG/kcmil	6		


TÜV Rheinland	http://www.certipedia.com		R 60117904-0002
Nominal voltage UN	690 V		
Nominal current IN	35 A		
mm ² /AWG/kcmil	6		

TÜV Rheinland	http://www.certipedia.com		R 60117904-0001
---------------	---	--	-----------------

UL Listed		http://database.ul.com/cgi-bin/XYV/template/LISEXT/1FRAME/index.htm	E221474-20150513
Nominal voltage UN	600 V		
Nominal current IN	30 A		
mm ² /AWG/kcmil	14-10		

cUL Listed		http://database.ul.com/cgi-bin/XYV/template/LISEXT/1FRAME/index.htm	E221474-20150513
Nominal voltage UN	600 V		
Nominal current IN	30 A		
mm ² /AWG/kcmil	14-10		

EAC		B.01742	
-----	---	---------	--

cULus Listed			
--------------	---	--	--

Coupler connector - PRC 5-FC-FS6 16-21 - 1410655

Accessories

Accessories

Circular connector (cable-side)

Protective cap - PRC COVER F - 1409236



Protective cap for 3 and 5-pos. PRC field plugs

Screwdriver tools

Screwdriver - SZF 1-0,6X3,5 - 1204517



Actuation tool, for ST terminal blocks, also suitable for use as a bladed screwdriver, size: 0.6 x 3.5 x 100 mm, 2-component grip, with non-slip grip

Screwdriver - SZF 0-0,4X2,5 - 1204504



Actuation tool, for ST terminal blocks, also suitable for use as a bladed screwdriver, size: 0.4 x 2.5 x 75 mm, 2-component grip, with non-slip grip

Philips screwdriver - SF-PH 1-80 S-VDE - 1212693



Screwdriver, crosshead PH (lasered), insulated, size: PH 1 x 80, 2-component handle, with non-slip grip
