

## Cable connector - UC-17S1N8ANNAD - 1615113

Please be informed that the data shown in this PDF Document is generated from our Online Catalog. Please find the complete data in the user's documentation. Our General Terms of Use for Downloads are valid (<http://phoenixcontact.com/download>)


Cable connector, angled, shielded: yes, Screw locking, M23, No. of pos.: 17, type of contact: Socket, Crimp connection, cable diameter range: 13.5 mm ... 14.5 mm



The figure shows the 12-pos. product version



### Key Commercial Data

Packing unit	1
GTIN	 4 046356 409308
GTIN	4046356409308
Custom tariff number	85366990

### Technical data

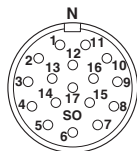
#### Environmental Product Compliance

REACH SVHC	Lead 7439-92-1
China RoHS	Environmentally Friendly Use Period = 50
	For details about hazardous substances go to tab "Downloads", Category "Manufacturer's declaration"

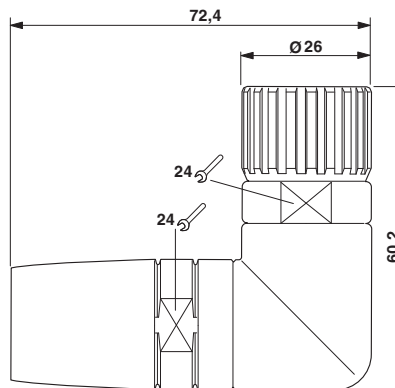
### Drawings

# Cable connector - UC-17S1N8ANNAD - 1615113

Schematic diagram



Dimensional drawing



## Classifications

### eCl@ss

eCl@ss 4.0	272607xx
eCl@ss 4.1	27260701
eCl@ss 5.0	27260701
eCl@ss 5.1	27260700
eCl@ss 6.0	27260700
eCl@ss 7.0	27440390
eCl@ss 8.0	27440390
eCl@ss 9.0	27440390

### ETIM

ETIM 3.0	EC001121
ETIM 4.0	EC001121
ETIM 5.0	EC001121
ETIM 6.0	EC001121

### UNSPSC

UNSPSC 6.01	43172015
UNSPSC 7.0901	43201404
UNSPSC 11	43172015
UNSPSC 12.01	43201404
UNSPSC 13.2	39121409

## Approvals

### Approvals

## Cable connector - UC-17S1N8ANNAD - 1615113

### Approvals

Approvals


EAC

---

Ex Approvals

---

### Approval details

EAC		B.01742
-----	---	---------

---