

# Protective cap - QPD QSK BK 5X2,5 FS - 1404525


Please be informed that the data shown in this PDF Document is generated from our Online Catalog. Please find the complete data in the user's documentation. Our General Terms of Use for Downloads are valid (<http://phoenixcontact.com/download>)

Protective cap, plastic, for QUICKON connection, black, with retaining cord, IP68



RoHS

## Key Commercial Data

Packing unit	1 pc
GTIN	 4 046356 698689
GTIN	4046356698689
Weight per Piece (excluding packing)	15.920 g
Custom tariff number	39269097
Country of origin	Germany

## Technical data

### Dimensions

Length	34.6 mm
Width	34.6 mm
Height	36 mm
Diameter of retaining cord eyelet	33.60 mm

### Ambient conditions

Degree of protection	IP66
	IP68 (2 m / 24 h)
	IP69K
Ambient temperature (operation)	-40 °C ... 100 °C

### General

Size	QPD
Material	PBT
Flammability rating according to UL 94	V0
Color	black

# Protective cap - QPD QSK BK 5X2,5 FS - 1404525

## Technical data

### General

Seal present	yes
--------------	-----

### Standards and Regulations

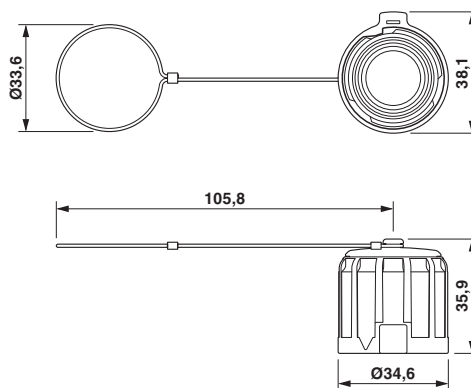
Flammability rating according to UL 94	V0
--	----

### Environmental Product Compliance

China RoHS	Environmentally Friendly Use Period = 50
	For details about hazardous substances go to tab "Downloads", Category "Manufacturer's declaration"

## Drawings

Dimensional drawing



## Classifications

### eCl@ss

eCl@ss 4.0	27141210
eCl@ss 4.1	27141210
eCl@ss 5.0	27149110
eCl@ss 5.1	27149100
eCl@ss 6.0	27261200
eCl@ss 7.0	27440208
eCl@ss 8.0	27440208
eCl@ss 9.0	27440208

### ETIM

ETIM 3.0	EC002314
ETIM 4.0	EC002040
ETIM 5.0	EC002314
ETIM 6.0	EC002314

# Protective cap - QPD QSK BK 5X2,5 FS - 1404525

## Classifications

### UNSPSC

UNSPSC 6.01	30212113
UNSPSC 7.0901	39121712
UNSPSC 11	39121712
UNSPSC 12.01	39121712
UNSPSC 13.2	39121421

## Approvals

### Approvals

---

Approvals

GL

---

Ex Approvals

---

### Approval details

GL		<a href="http://exchange.dnv.com/tari/">http://exchange.dnv.com/tari/</a>	6195914 HH
----	---	---	------------

---