

D-SUB contact insert - CUC-DSI-C1STZ-S/DSL5B25 HD - 1418733

Please be informed that the data shown in this PDF Document is generated from our Online Catalog. Please find the complete data in the user's documentation. Our General Terms of Use for Downloads are valid (<http://phoenixcontact.com/download>)


D-SUB contact insert, number of positions: 44, material: Steel, connection method: Solder pins



Your advantages

- Various connection methods for every application
- Standard-compliant pin connector pattern

Key Commercial Data

Packing unit	10 pc
Minimum order quantity	10 pc
GTIN	 4 055626 150017
GTIN	4055626150017
Weight per Piece (excluding packing)	1.220 g
Custom tariff number	85366990
Country of origin	Taiwan

Technical data

Mechanical characteristics

Standards/specifications	DIN 41652
Number of positions	44
Number of slots	1
Connection profile	25-pos. D-SUB
Insertion/withdrawal cycles	50
Connection method	Solder pins
Type of contact	punched contacts
Mounting type	4-40 UNC thread
Type	25

Material data

D-SUB contact insert - CUC-DSI-C1STZ-S/DSL5B25 HD - 1418733

Technical data

Material data

Flammability rating according to UL 94	V0
Housing material	Steel
Housing surface material	tin-plated
Contact carrier material	Glass-fiber reinforced thermoplastics, UL 94 V0
Contact material	Copper alloy
Contact surface material	Sn/Au

Electrical characteristics

Number of positions	44
Rated current	3 A
Degree of pollution	2
Test voltage	1000 V AC

Standards and Regulations

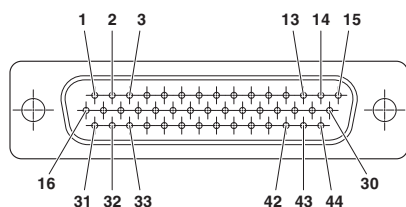
Standards/regulations	DIN 41652
Flammability rating according to UL 94	V0

Environmental Product Compliance

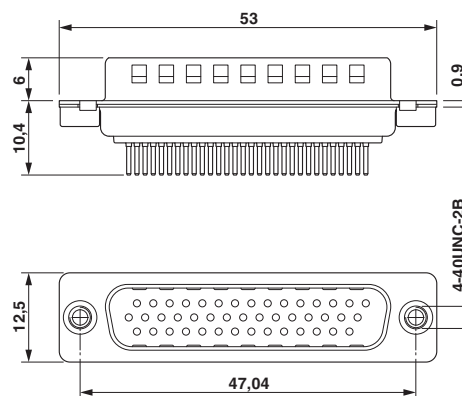
China RoHS	Environmentally friendly use period: unlimited = EFUP-e
	No hazardous substances above threshold values

Drawings

Schematic diagram



Dimensional drawing



D-SUB contact insert

Classifications

eCl@ss

eCl@ss 4.0	27140816
eCl@ss 4.1	27260701

D-SUB contact insert - CUC-DSI-C1STZ-S/DSL SB25 HD - 1418733

Classifications

eCl@ss

eCl@ss 5.0	27260701
eCl@ss 5.1	27260700
eCl@ss 6.0	27260700
eCl@ss 7.0	27440302
eCl@ss 8.0	27440302
eCl@ss 9.0	27440302

ETIM

ETIM 2.0	EC000438
ETIM 3.0	EC000438
ETIM 4.0	EC000438
ETIM 5.0	EC001132
ETIM 6.0	EC001132

UNSPSC

UNSPSC 6.01	30211923
UNSPSC 7.0901	39121522
UNSPSC 11	39121522
UNSPSC 12.01	39121522
UNSPSC 13.2	39121522

Accessories

Accessories

Panel mounting frame

D-SUB panel mounting frames - VS-25-A - 1689750



D-SUB panel mounting frame, shell size 3, IP67 degree of protection