

Coding profile - CP-QPD - 1582459


Please be informed that the data shown in this PDF Document is generated from our Online Catalog. Please find the complete data in the user's documentation. Our General Terms of Use for Downloads are valid (<http://phoenixcontact.com/download>)



Coding profile red, for pushing into the QUICKON dome and connector, can be positioned in 90° steps.

RoHS

Key Commercial Data

Packing unit	10 pc
Minimum order quantity	10 pc
GTIN	 4 046356 463614
GTIN	4046356463614
Weight per Piece (excluding packing)	0.590 g
Custom tariff number	39269097
Country of origin	Germany

Technical data

Ambient conditions

Ambient temperature (operation)	-40 °C ... 80 °C
---------------------------------	------------------

General

Material	PA
Flammability rating according to UL 94	V0
Color	red

Standards and Regulations

Flammability rating according to UL 94	V0
--	----

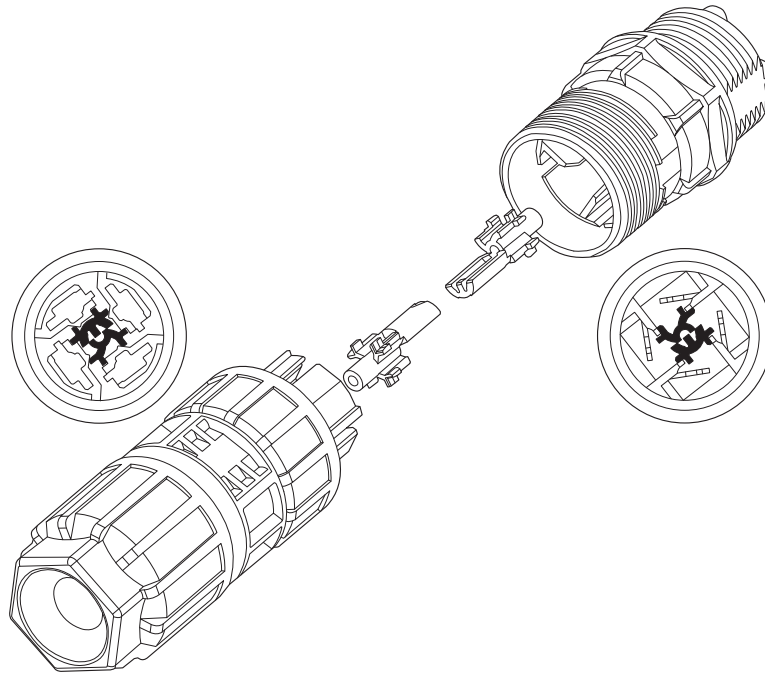
Environmental Product Compliance

China RoHS	Environmentally friendly use period: unlimited = EFUP-e
	No hazardous substances above threshold values

Drawings

Coding profile - CP-QPD - 1582459

Schematic diagram



Coding of the QUICKON plug-in connection

Classifications

eCl@ss

eCl@ss 4.0	272607xx
eCl@ss 4.1	27260701
eCl@ss 5.0	27143424
eCl@ss 5.1	27143400
eCl@ss 6.0	27269200
eCl@ss 7.0	27440203
eCl@ss 8.0	27440203
eCl@ss 9.0	27440203

ETIM

ETIM 3.0	EC002311
ETIM 4.0	EC002311
ETIM 5.0	EC002311
ETIM 6.0	EC002311

UNSPSC

UNSPSC 6.01	30211923
UNSPSC 7.0901	39121522
UNSPSC 11	39121522
UNSPSC 12.01	39121522

Coding profile - CP-QPD - 1582459

Classifications

UNSPSC

UNSPSC 13.2	27112301
-------------	----------