

Panel feed-through - QPD W 4PE2,5 6-11 M20 0,5 BK - 1403725

Please be informed that the data shown in this PDF Document is generated from our Online Catalog. Please find the complete data in the user's documentation. Our General Terms of Use for Downloads are valid (<http://phoenixcontact.com/download>)



Panel feed-through, QUICKON connection, number of positions: 4+PE, 1 mm² ... 2.5 mm², 690 V, 20 A, black, with QUICKON nut, cable diameter range: 6 mm ... 11 mm, assembly thread: M20, IDC connection (welded-on), 2.5 mm², wires cut flat at the end, cable length: 0.5 m

Your advantages

- ✓ Innovative and time saving - QUICKON fast connection for time saving of up to 80 % for on-site connection
- ✓ Convenient: quick and easy assembly without special tools
- ✓ Robust throughout: housing with IP68/IP69K and IK07 protection for a wide range of applications
- ✓ Safer connection thanks to polarization against mismatching and touch-proof protection according to DIN EN 0105
- ✓ Efficient - by using panel feed-throughs, devices no longer need to be opened in order to connect cables

Key Commercial Data

| | |
|--------------------------------------|---|
| Packing unit | 1 pc |
| GTIN |  4 046356 664998 |
| GTIN | 4046356664998 |
| Weight per Piece (excluding packing) | 91.500 g |
| Custom tariff number | 85444290 |
| Country of origin | Poland |

Technical data

General

| | |
|--------------------------|--------------------------------------|
| Type | QPD 5x2,5 |
| Length of cable | 0.5 m |
| Color | black |
| Locking type | Screw locking |
| Connection method | QUICKON connection IDC connection |
| Number of positions | 5 |
| Note number of positions | 4+PE |

Panel feed-through - QPD W 4PE2,5 6-11 M20 0,5 BK - 1403725

Technical data

General

| | |
|---------------------------------------|---------------------|
| Wrench size, union nut | 27 mm |
| Tightening torque, union nut | 10 Nm |
| Tightening torque, counter nut | 5 Nm |
| Wrench size, counter nut | 30 mm |
| Number of connections | 10 |
| Conductor cross section flexible min. | 1 mm ² |
| Conductor cross section flexible max. | 2.5 mm ² |
| Conductor cross section solid min. | 1 mm ² |
| Conductor cross section solid max. | 2.5 mm ² |
| Conductor cross section AWG min. | 16 |
| Conductor cross section AWG max. | 14 |

Cabel

| | |
|---|--|
| Structure of individual litz in acc. with VDE 0295 / smallest wire diameter | VDE 0295 class 1 to 6/min. 0.15 mm |
| Wire insulation material | PVC/PE/TPE/rubber |
| Wire diameter including insulation | 2 mm ... 3.8 mm |
| External cable diameter | 6 mm ... 11 mm |
| Conductor cross section | 2.5 mm ² |
| Wire colors | black, brown, gray, blue, green/yellow |
| Position marking | 1, 2, 3, N, PE |

Ambient conditions

| | |
|---|-------------------|
| Degree of protection | IP66 |
| | IP68 (2 m / 24 h) |
| | IP69K |
| Ambient temperature (operation) | -40 °C ... 100 °C |
| Ambient temperature (storage/transport) | -40 °C ... 100 °C |
| Temperature when conductor connected | -5 °C ... 50 °C |

Electrical characteristics

| | |
|--------------------------------|--------|
| Nominal current I _N | 20 A |
| Rated current | 20 A |
| Rated voltage (III/3) | 690 V |
| Rated voltage (III/2) | 1000 V |
| Rated voltage (II/2) | 1000 V |
| Rated surge voltage (III/3) | 6 kV |
| Rated surge voltage (III/2) | 8 kV |
| Rated surge voltage (II/2) | 8 kV |

Mechanical characteristics

| | |
|--------------------------|---------|
| QUICKON connectability | max. 10 |
| Category of shock impact | IK07 |

Panel feed-through - QPD W 4PE2,5 6-11 M20 0,5 BK - 1403725

Technical data

Material data

| | |
|--|---------------|
| Contact material | Cu |
| Contact surface material | silver-plated |
| Contact carrier material | PA |
| Insulating material | PA |
| Flammability rating according to UL 94 | V0 |
| Overvoltage category | III |
| Degree of pollution | 3 |

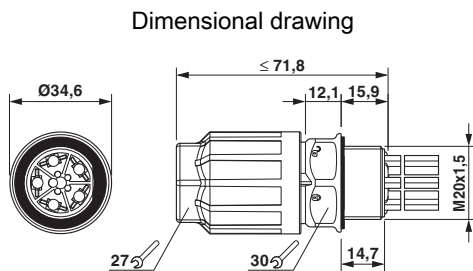
Standards and Regulations

| | |
|--|----|
| Flammability rating according to UL 94 | V0 |
|--|----|

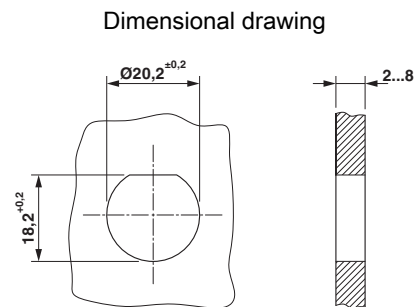
Environmental Product Compliance

| | |
|------------|---|
| China RoHS | Environmentally Friendly Use Period = 50 |
| | For details about hazardous substances go to tab "Downloads", Category "Manufacturer's declaration" |

Drawings

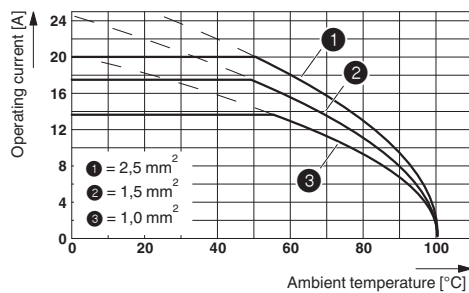


Dimensional drawing of the QPD W 5x2,5 M20



Housing cutout

Diagram



Classifications

eCl@ss

| | |
|------------|----------|
| eCl@ss 4.0 | 272607xx |
|------------|----------|

Panel feed-through - QPD W 4PE2,5 6-11 M20 0,5 BK - 1403725

Classifications

eCl@ss

| | |
|------------|----------|
| eCl@ss 4.1 | 27260701 |
| eCl@ss 5.0 | 27143424 |
| eCl@ss 5.1 | 27143400 |
| eCl@ss 6.0 | 27143400 |
| eCl@ss 7.0 | 27440602 |
| eCl@ss 8.0 | 27440602 |
| eCl@ss 9.0 | 27440602 |

ETIM

| | |
|----------|----------|
| ETIM 3.0 | EC001283 |
| ETIM 4.0 | EC000516 |
| ETIM 5.0 | EC002566 |
| ETIM 6.0 | EC002061 |

UNSPSC

| | |
|---------------|----------|
| UNSPSC 6.01 | 31251501 |
| UNSPSC 7.0901 | 31251501 |
| UNSPSC 11 | 31251501 |
| UNSPSC 12.01 | 39121522 |
| UNSPSC 13.2 | 39121522 |

Approvals

Approvals

Approvals

GL / UL Listed / IECCEB Scheme / cUL Listed / VDE Zeichengenehmigung / EAC / cULus Listed

Ex Approvals

Approval details

| | | | |
|----|---|---|------------|
| GL |  | http://exchange.dnv.com/tari/ | 6195914 HH |
|----|---|---|------------|

Panel feed-through - QPD W 4PE2,5 6-11 M20 0,5 BK - 1403725

Approvals

| | | | |
|--------------------|-------|---|---------------|
| UL Listed | | http://database.ul.com/cgi-bin/XYV/template/LISEXT/1FRAME/index.htm | FILE E 221474 |
| | | | |
| Nominal voltage UN | 600 V | | |
| Nominal current IN | 10 A | | |
| mm²/AWG/kcmil | 16 | | |

| | | | |
|-----------------|--|---|-----------|
| IECEE CB Scheme | | http://www.iecee.org/ | DE1-58228 |
|-----------------|--|---|-----------|

| | | | |
|--------------------|-------|---|---------------|
| cUL Listed | | http://database.ul.com/cgi-bin/XYV/template/LISEXT/1FRAME/index.htm | FILE E 221474 |
| | | | |
| Nominal voltage UN | 600 V | | |
| Nominal current IN | 10 A | | |
| mm²/AWG/kcmil | 16 | | |

| | | | |
|------------------------|-------|---|----------|
| VDE Zeichengenehmigung | | http://www2.vde.com/de/Institut/Online-Service/VDE-gepruefteProdukte/Seiten/Online-Suche.aspx | 40029149 |
| | | | |
| Nominal voltage UN | 690 V | | |
| Nominal current IN | 20 A | | |
| mm²/AWG/kcmil | 1-2.5 | | |

| | | |
|-----|--|--------------------------|
| EAC | | RU C- DE.AI30.B.01102 |
|-----|--|--------------------------|

| | |
|--------------|--|
| cULus Listed | |
|--------------|--|

Accessories

Accessories

Coding element

Panel feed-through - QPD W 4PE2,5 6-11 M20 0,5 BK - 1403725

Accessories

Coding profile - CP-QPD 5X2,5 - 1404530



Coding profile, red, for insertion into the 5-pos. QUICKON dome and connector, can be positioned in 72° increments.

Protective cap

Protective cap - QPD QSK BK 5X2,5 FS - 1404525



Protective cap, plastic, for QUICKON connection, black, with retaining cord, IP68

Sealing plugs

Closing cap - SEALING PLUG 10X16 RD - 1400284



Closing cap, PA, for threads pluggable, color: red

Socket spanner

Socket wrench - QSS 27 - 1670646



Allen wrench, for loosening and fastening the QUICKON union nut, WAF 27 mm

Q-MU-M20 BK - 1586099



