

Printed-circuit board connector - DMCV 1,5/15-G1F-3,5-LRAUP26THR - 1710444

Please be informed that the data shown in this PDF Document is generated from our Online Catalog. Please find the complete data in the user's documentation. Our General Terms of Use for Downloads are valid (<http://phoenixcontact.com/download>)

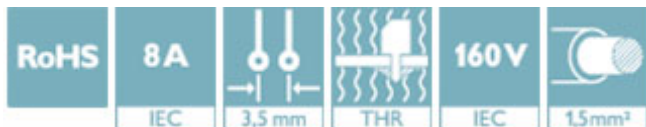
PCB headers, nominal current: 8 A, rated voltage (III/2): 160 V, number of positions: 15, pitch: 3.5 mm, color: black, contact surface: Tin, mounting: THR soldering




The figure shows a 10-pos. version with 20 contacts

Your advantages

- ✓ Designed for integration into the SMT soldering process
- ✓ Gold-plated contacts ensure transfer quality remains stable over the long term
- ✓ Vertical connection enables multi-row arrangement on the PCB
- ✓ Screwable flange for superior mechanical stability
- ✓ Automatic locking and intuitive release through Lock and Release operating lever in contrasting color
- ✓ Small component size for applications where space is at a premium



Key Commercial Data

| | |
|----------------------|---|
| Packing unit | 1 |
| GTIN |  4 055626 175348 |
| GTIN | 4055626175348 |
| Custom tariff number | 85366930 |

Technical data

Dimensions

| | |
|--------------------------|---------|
| Width | 59.5 mm |
| Pitch | 3.5 mm |
| Dimension a | 49 mm |
| Width [w] | 59.5 mm |
| Height [h] | 12.6 mm |
| Height | 10 mm |
| Length of the solder pin | 2.6 mm |

Printed-circuit board connector - DMCV 1,5/15-G1F-3,5-LRAUP26THR - 1710444

Technical data

Dimensions

| | |
|----------------|--------------|
| Pin dimensions | 0.8 x 0.8 mm |
| Pin spacing | 5.50 mm |

General

| | |
|--|---------------------|
| Range of articles | DMCV 1,5/..-G1F-THR |
| Insulating material group | IIIa |
| Rated surge voltage (III/3) | 2.5 kV |
| Rated surge voltage (III/2) | 2.5 kV |
| Rated surge voltage (II/2) | 2.5 kV |
| Rated voltage (III/3) | 160 V |
| Rated voltage (III/2) | 160 V |
| Rated voltage (II/2) | 250 V |
| Connection in acc. with standard | EN-VDE |
| Nominal current I _N | 8 A |
| Maximum load current | 8 A |
| Insulating material | LCP |
| Flammability rating according to UL 94 | V0 |
| Color | black |
| Number of positions | 15 |

Standards and Regulations

| | |
|--|--------|
| Connection in acc. with standard | EN-VDE |
| Flammability rating according to UL 94 | V0 |

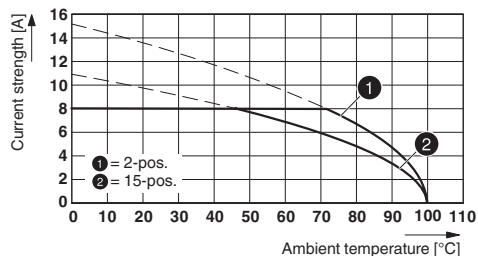
Environmental Product Compliance

| | |
|------------|---|
| China RoHS | Environmentally friendly use period: unlimited = EFUP-e |
| | No hazardous substances above threshold values |

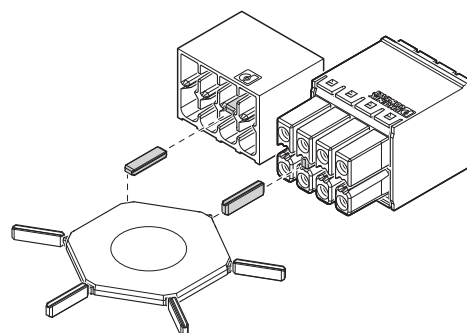
Drawings

Printed-circuit board connector - DMCV 1,5/15-G1F-3,5-LRAUP26THR - 1710444

Diagram



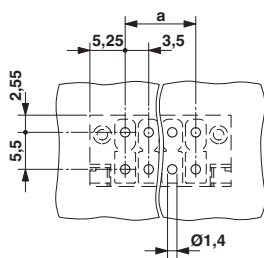
Schematic diagram



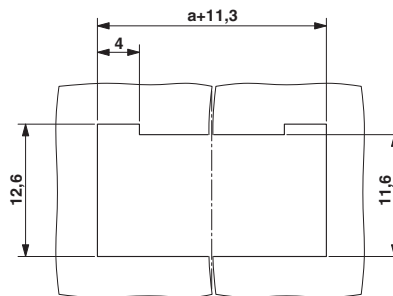
Type: DFMC 1,5/...-STF-3,5 BK AU with DMCV 1,5/...-G1F-3,5-LRAUP20THR

Use of the CP-DMC... coding profile

Drilling diagram



Schematic diagram



Panel cutout

Classifications

eCl@ss

| | |
|------------|----------|
| eCl@ss 4.0 | 272607xx |
| eCl@ss 4.1 | 27260701 |
| eCl@ss 5.0 | 27260701 |
| eCl@ss 5.1 | 27260700 |
| eCl@ss 6.0 | 27260700 |
| eCl@ss 7.0 | 27440402 |
| eCl@ss 8.0 | 27440402 |
| eCl@ss 9.0 | 27440402 |

ETIM

| | |
|----------|----------|
| ETIM 4.0 | EC002637 |
| ETIM 5.0 | EC002637 |
| ETIM 6.0 | EC002637 |

UNSPSC

| | |
|-------------|----------|
| UNSPSC 6.01 | 30211810 |
|-------------|----------|

Printed-circuit board connector - DMCV 1,5/15-G1F-3,5-LRAUP26THR - 1710444

Classifications

UNSPSC

| | |
|---------------|----------|
| UNSPSC 7.0901 | 39121409 |
| UNSPSC 11 | 39121409 |
| UNSPSC 12.01 | 39121409 |
| UNSPSC 13.2 | 39121409 |

Approvals

Approvals

Approvals

IECEE CB Scheme / VDE Gutachten mit Fertigungsüberwachung / EAC / cULus Recognized

Ex Approvals

Approval details

| | | | |
|--------------------|-------|---|-----------------|
| IECEE CB Scheme | | http://www.iecee.org/ | DE1-60359_B1_B2 |
| Nominal voltage UN | 160 V | | |
| Nominal current IN | 8 A | | |

| | | | |
|---|-------|---|----------|
| VDE Gutachten mit Fertigungsüberwachung | | http://www2.vde.com/de/Institut/Online-Service/VDE-gepruefteProdukte/Seiten/Online-Suche.aspx | 40038423 |
| Nominal voltage UN | 160 V | | |
| Nominal current IN | 8 A | | |

| | | |
|-----|--|---------|
| EAC | | B.01742 |
|-----|--|---------|

| | | | |
|--------------------|------------|---|-----------------|
| cULus Recognized | | http://database.ul.com/cgi-bin/XYV/template/LISEXT/1FRAME/index.htm | E60425-20110128 |
| Nominal voltage UN | D 300 V | B 300 V | C 50 V |

Printed-circuit board connector - DMCV 1,5/15-G1F-3,5-LRAUP26THR - 1710444

Approvals

| | D | B | C |
|--------------------------------|-----|-----|-----|
| Nominal current I _N | 8 A | 8 A | 8 A |

Accessories

Accessories

Coding element

Coding profile - CP-DMC 1,5 NAT - 1790647

Coding profile, for insertion between the coding ribs of the connector and the header following the reflow soldering process, insulating material, color: natural



Additional products

Printed-circuit board connector - DFMC 1,5/15-STF-3,5 BK AU - 1709930

PCB connector, nominal current: 8 A, rated voltage (III/2): 160 V, number of positions: 15, pitch: 3.5 mm, connection method: Push-in spring connection, color: black, contact surface: Gold

