

Protective cap - VS-PPC-F2-PC-POBK - 1405329

Please be informed that the data shown in this PDF Document is generated from our Online Catalog. Please find the complete data in the user's documentation. Our General Terms of Use for Downloads are valid (<http://phoenixcontact.com/download>)




Protective cap, IP65, with push-pull locking for covering the contact insert in the push-pull connector for Power, plastic

Protective cover

Product Description

Protective cap for Push-Pull connector, Power

Key Commercial Data

Packing unit	1 STK
GTIN	 4 046356 420426
GTIN	4046356420426
Weight per Piece (excluding packing)	1.000 g
Custom tariff number	85472000
Country of origin	Germany

Technical data

Ambient conditions

Ambient temperature (operation)	-40 °C ... 70 °C
---------------------------------	------------------

General data

Alternative short product description	Protective cap for push-pull connector
Locking type	Push Pull

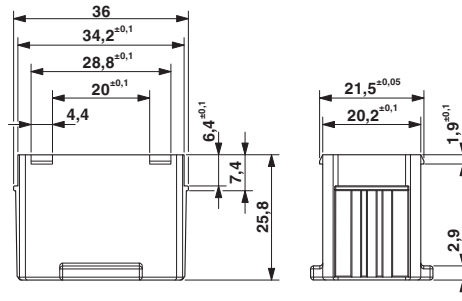
Environmental Product Compliance

China RoHS	Environmentally friendly use period: unlimited = EFUP-e
	No hazardous substances above threshold values

Protective cap - VS-PPC-F2-PC-POBK - 1405329

Drawings

Dimensional drawing



Classifications

eCl@ss

eCl@ss 4.0	272607xx
eCl@ss 4.1	27260701
eCl@ss 5.0	27260701
eCl@ss 5.1	27260700
eCl@ss 6.0	27261200
eCl@ss 7.0	27440208
eCl@ss 8.0	27440208
eCl@ss 9.0	27440208

ETIM

ETIM 3.0	EC000723
ETIM 4.0	EC002314
ETIM 5.0	EC002314
ETIM 6.0	EC002314

UNSPSC

UNSPSC 6.01	31261501
UNSPSC 7.0901	31261501
UNSPSC 11	31261501
UNSPSC 12.01	31261501
UNSPSC 13.2	39121421