

## Connector - SACC-M12MSX-8CT-CL SH - 1422844

Please be informed that the data shown in this PDF Document is generated from our Online Catalog. Please find the complete data in the user's documentation. Our General Terms of Use for Downloads are valid (<http://phoenixcontact.com/download>)



Connector, Ethernet/PROFINET CAT6<sub>A</sub> (10 Gbps), 8-position, shielded, Plug straight M12, X-coded, Crimp connection, knurl material: Zinc die-cast, nickel-plated, External cable diameter 6.5 mm ... 10 mm, without crimp contacts

### Why buy this product


- ✓ Safe use in the field, thanks to a high degree of protection
- ✓ Flexible: connectors for on-site assembly
- ✓ Save time, thanks to installation with SPEEDCON fast locking system
- ✓ Reliable signal transmission - 360° shielding in environments with electromagnetic interference



Ethernet



### Key Commercial Data

Packing unit	1 STK
GTIN	 4 055626 381886
GTIN	4055626381886

### Technical data

#### Dimensions

Wrench size, union nut	15 mm
External cable diameter	6.5 mm ... 10 mm

#### Ambient conditions

Ambient temperature (operation)	-40 °C ... 85 °C (Plug / socket)
Degree of protection	IP65

#### General

Note	This product corresponds to the PROFINET Cabling and Interconnection Technology Guideline for PROFINET regulations, version 2.00, order no: 2.252, Chapter 8.2 Connectors for Outside Environment (Balanced cabling)
Rated current at 40°C	0.6 A (30 W)

# Connector - SACC-M12MSX-8CT-CL SH - 1422844

## Technical data

### General

Rated voltage	60 V DC
	50 V AC
Number of positions	8
Insulation resistance	≥ 100 Ω
Coding	X - data
Standards/regulations	M12 connector IEC 61076-2-109
	Shock, vibration EN 50155:2001
Signal type/category	Ethernet/PROFINET CAT6 <sub>A</sub> (IEC 11801), 10 Gbps
Status display	No
Overvoltage category	II
Degree of pollution	3
Connection method	Crimp connection
Wire diameter incl. insulation	≤ 1.6 mm
Insertion/withdrawal cycles	≥ 100
Torque	0.4 Nm (M12 knurl)
	4 Nm (Pressure nut with coupling sleeve)

### Material

Flammability rating according to UL 94	V0
Contact carrier material	PA 6.6
Material of grip body	Zinc die-cast, nickel-plated
Material, knurls	Zinc die-cast, nickel-plated
Sealing material	FKM

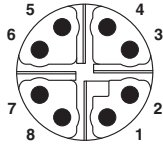
### Standards and Regulations

Standard designation	M12 connector
Standards/regulations	IEC 61076-2-109
Standard designation	Shock, vibration
Standards/regulations	EN 50155:2001
Flammability rating according to UL 94	V0

### Drawings

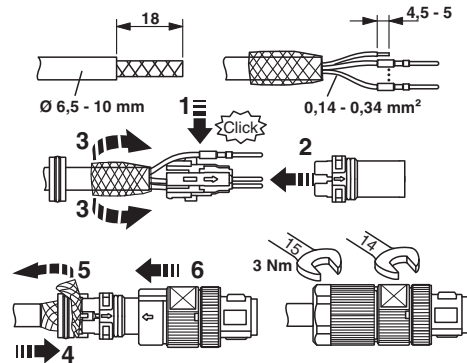
# Connector - SACC-M12MSX-8CT-CL SH - 1422844

Schematic diagram

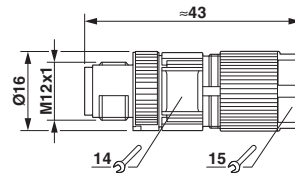


Pin assignment M12 plug, 8-pos., view plug side

Functional drawing



Dimensional drawing



Plug, M12 x 1, straight, shielded

Phoenix Contact 2017 © - all rights reserved  
<http://www.phoenixcontact.com>

PHOENIX CONTACT GmbH & Co. KG  
Flachsmarktstr. 8  
32825 Blomberg  
Germany  
Tel. +49 5235 300  
Fax +49 5235 3 41200  
<http://www.phoenixcontact.com>