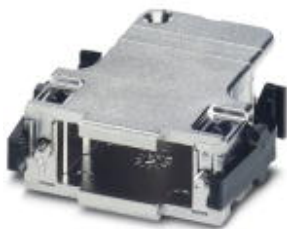


D-SUB sleeve housings - CUC-DST-GPME-A/DSFL15 - 1419732

Please be informed that the data shown in this PDF Document is generated from our Online Catalog. Please find the complete data in the user's documentation. Our General Terms of Use for Downloads are valid (<http://phoenixcontact.com/download>)




D-SUB sleeve housings, Degree of protection: IP20, Material: ABS, metal-plated, Cable exit: angled, Size of housing: 2, Color: Bare metallic, Snap-fit locking

Why buy this product

- Easy to mount thanks to catch spring system
- Angled conductor entry
- Antimagnetic plastic housing
- Particularly suitable for D-SUB connectors with special contacts thanks to large interior

Key Commercial Data

Packing unit	1 STK
GTIN	 4 055626 188102
GTIN	4055626188102

Technical data

Mechanical characteristics

External cable diameter	3.5 mm ... 8.6 mm
Cable exit	angled
Color	Bare metallic
Degree of protection	IP20
Type	D-SUB 15
Size of housing	2
No. of cable outlets	1

Ambient conditions

Ambient temperature (operation)	-35 °C ... 95 °C
---------------------------------	------------------

Material data

Flammability rating according to UL 94	V0
--	----

D-SUB sleeve housings - CUC-DST-GPME-A/DSFL15 - 1419732

Technical data

Material data

Housing material	ABS, metal-plated
Housing surface material	metal-plated

Standards and Regulations

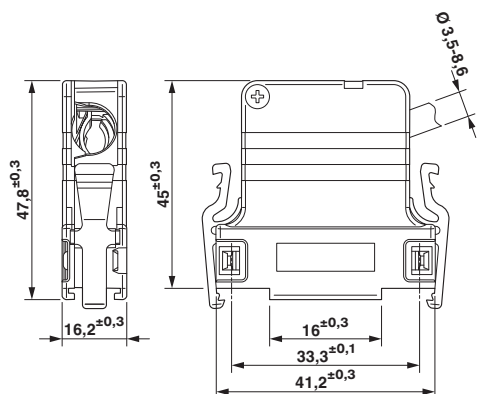
Flammability rating according to UL 94	V0
--	----

Environmental Product Compliance

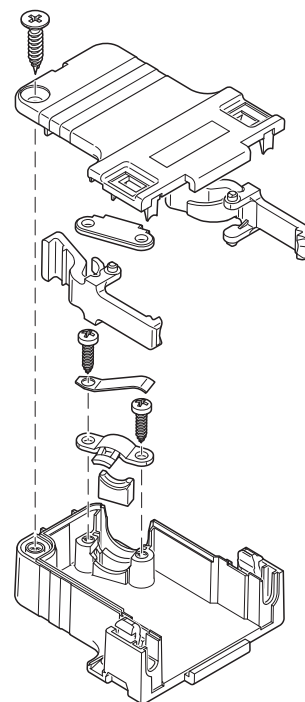
China RoHS	Environmentally friendly use period: unlimited = EFUP-e
	No hazardous substances above threshold values

Drawings

Dimensional drawing



Schematic diagram



D-SUB sleeve housings

Phoenix Contact 2017 © - all rights reserved
<http://www.phoenixcontact.com>

PHOENIX CONTACT GmbH & Co. KG
 Flachsmarktstr. 8
 32825 Blomberg
 Germany
 Tel. +49 5235 300
 Fax +49 5235 3 41200
<http://www.phoenixcontact.com>