

D-SUB sleeve housings - CUC-DST-GZNI-A/DSFL15 - 1419757

Please be informed that the data shown in this PDF Document is generated from our Online Catalog. Please find the complete data in the user's documentation. Our General Terms of Use for Downloads are valid (<http://phoenixcontact.com/download>)


D-SUB sleeve housings, Degree of protection: IP20, Material: Zinc die-cast, Cable exit: angled, Size of housing: 2, Color: Bare metallic, Snap-fit locking



Why buy this product

- Easy to mount thanks to catch spring system
- Angled conductor entry
- Well-suited for harsh industrial conditions thanks to its metal design
- Particularly suitable for D-SUB connectors with special contacts thanks to large interior

Key Commercial Data

Packing unit	1 STK
GTIN	 4 055626 188164
GTIN	4055626188164

Technical data

Mechanical characteristics

External cable diameter	3 mm ... 8.5 mm (Without bending protection)
Cable exit	angled
Color	Bare metallic
Mounting type	Quick locking
Degree of protection	IP20
Type	D-SUB 15
Size of housing	2
No. of cable outlets	1

Ambient conditions

Ambient temperature (operation)	-35 °C ... 100 °C
---------------------------------	-------------------

Material data

D-SUB sleeve housings - CUC-DST-GZNI-A/DSFL15 - 1419757

Technical data

Material data

Flammability rating according to UL 94	V0
Housing material	Zinc die-cast
Housing surface material	Nickel-plated

Standards and Regulations

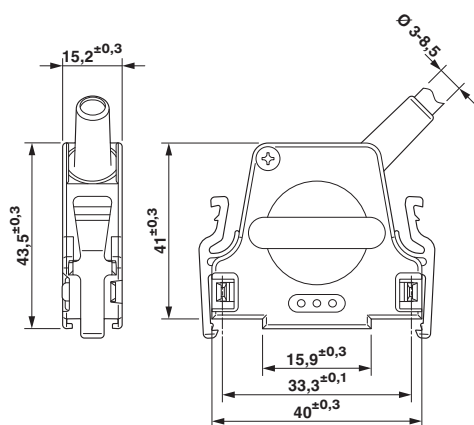
Flammability rating according to UL 94	V0
--	----

Environmental Product Compliance

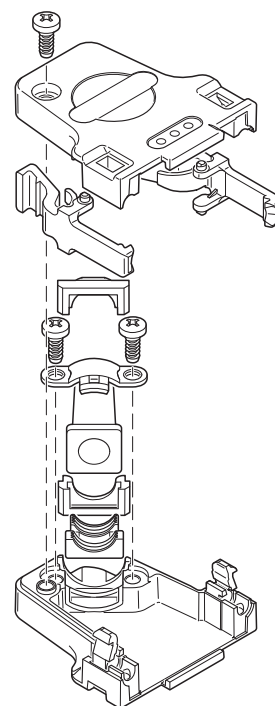
China RoHS	Environmentally friendly use period: unlimited = EFUP-e
	No hazardous substances above threshold values

Drawings

Dimensional drawing



Schematic diagram



D-SUB sleeve housings