

## D-SUB sleeve housings - CUC-DST-GPME-S/DSSSC25 - 1419719

Please be informed that the data shown in this PDF Document is generated from our Online Catalog. Please find the complete data in the user's documentation. Our General Terms of Use for Downloads are valid (<http://phoenixcontact.com/download>)




D-SUB sleeve housings, Degree of protection: IP20, Material: ABS, metal-plated, Cable exit: straight, Size of housing: 3, Color: Bare metallic

### Why buy this product

- ✓ Easy to mount thanks to pre-assembled locking screws
- ✓ Antimagnetic plastic housing
- ✓ Particularly suitable for D-SUB connectors with special contacts thanks to large interior

### Key Commercial Data

Packing unit	1 STK
GTIN	 4 055626 187891
GTIN	4055626187891

### Technical data

#### Mechanical characteristics

External cable diameter	4 mm ... 12 mm
Cable exit	straight
Color	Bare metallic
Mounting type	Screw locking
Screw thread	4-40 UNC
Degree of protection	IP20
Type	D-SUB 25
Size of housing	3
No. of cable outlets	1

#### Ambient conditions

Ambient temperature (operation)	-35 °C ... 95 °C
---------------------------------	------------------

#### Material data

# D-SUB sleeve housings - CUC-DST-GPME-S/DSSSC25 - 1419719

## Technical data

### Material data

Flammability rating according to UL 94	V0
Housing material	ABS, metal-plated
Housing surface material	metal-plated

### Standards and Regulations

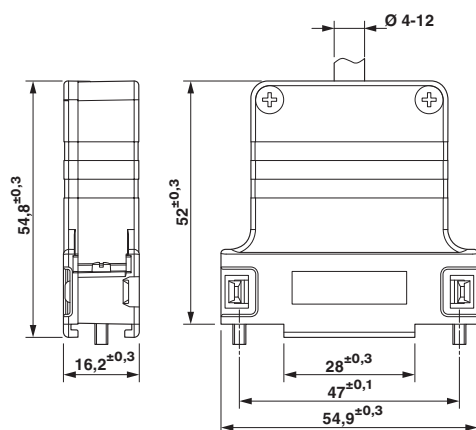
Flammability rating according to UL 94	V0
--	----

### Environmental Product Compliance

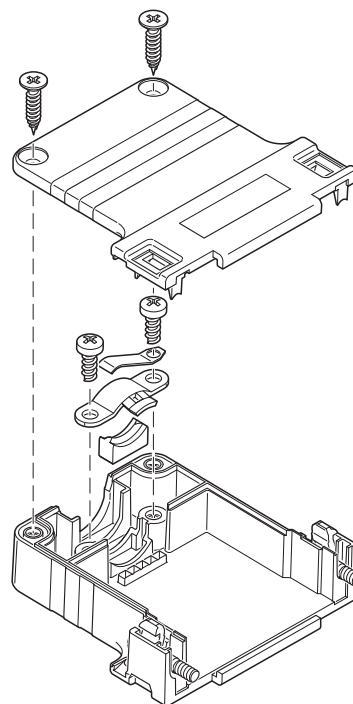
China RoHS	Environmentally friendly use period: unlimited = EFUP-e
	No hazardous substances above threshold values

## Drawings

Dimensional drawing



Schematic diagram



D-SUB sleeve housings