

Conductor connectors - QPD CW 3PE2,5 1X6-10 BK - 1582548

Please be informed that the data shown in this PDF Document is generated from our Online Catalog. Please find the complete data in the user's documentation. Our General Terms of Use for Downloads are valid (<http://phoenixcontact.com/download>)




Cable connector panel feed-through, single-sided with QPD nut, black, 3+ PE pos., 1.0 mm² ... 2.5 mm²/630 V/20 A, for cable diameters of 6 mm ... 10 mm.

Why buy this product

- Innovative and time saving - QUICKON fast connection for time saving of up to 80 % for on-site connection
- Convenient: quick and easy assembly without special tools
- Robust throughout: housing with IP68/IP69K and IK07 protection for a wide range of applications
- Safer connection thanks to polarization against mismatching and touch-proof protection according to DIN EN 0105
- Efficient - by using panel feed-throughs, devices no longer need to be opened in order to connect cables

Key Commercial Data

Packing unit	1 STK
GTIN	 4 046356 552509
GTIN	4046356552509
Weight per Piece (excluding packing)	59.000 g
Custom tariff number	85366990
Country of origin	Germany

Technical data

General

Type	QPD 4x2,5
Color	black
Locking type	Screw locking
Connection method	QUICKON connection
	IDC connection
Number of positions	4
Note number of positions	3+PE
Wrench size, union nut	22 mm

Conductor connectors - QPD CW 3PE2,5 1X6-10 BK - 1582548

Technical data

General

Tightening torque, union nut	5 Nm
Tightening torque, counter nut	5 Nm
Wrench size, counter nut	27 mm
Number of connections	10
Conductor cross section flexible min.	1 mm ²
Conductor cross section flexible max.	2.5 mm ²
Conductor cross section solid min.	1 mm ²
Conductor cross section solid max.	2.5 mm ²
Conductor cross section AWG min.	16
Conductor cross section AWG max.	14

Cabel

Structure of individual litz in acc. with VDE 0295 / smallest wire diameter	VDE 0295 class 1 to 6/min. 0.15 mm
Wire insulation material	PVC/PE/TPE/rubber
Wire diameter including insulation	2 mm ... 3.8 mm
External cable diameter	6 mm ... 10 mm (Order Quickon nuts or Quickon connectors separately)
Position marking	1, 2, 3, PE

Ambient conditions

Degree of protection	IP66
	IP68 ()
	IP69K
Ambient temperature (operation)	-40 °C ... 100 °C
Ambient temperature (storage/transport)	-40 °C ... 80 °C
Temperature when conductor connected	-5 °C ... 50 °C

Electrical characteristics

Nominal current I _N	20 A
Rated current	20 A
Rated voltage (III/3)	690 V
Rated voltage (III/2)	1000 V
Rated voltage (II/2)	1000 V
Rated surge voltage (III/3)	6 kV
Rated surge voltage (III/2)	8 kV
Rated surge voltage (II/2)	8 kV

Mechanical characteristics

QUICKON connectability	max. 10
Insertion/withdrawal cycles	>= 50 (Quickon connections max. 10)
Category of shock impact	IK07

Material data

Contact material	Cu
------------------	----

Conductor connectors - QPD CW 3PE2,5 1X6-10 BK - 1582548

Technical data

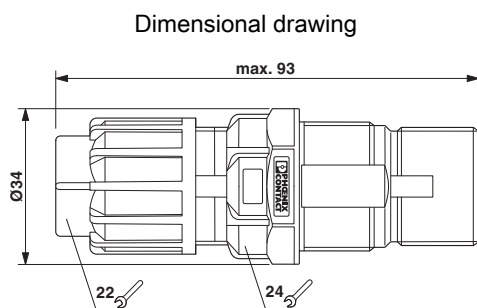
Material data

Contact surface material	silver-plated
Contact carrier material	PA
Insulating material	PA
Flammability rating according to UL 94	V0
Overvoltage category	III
Degree of pollution	3

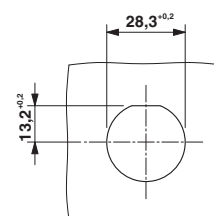
Standards and Regulations

Flammability rating according to UL 94	V0
--	----

Drawings



Dimensional drawing



Panel cutout

Dimensional drawing

Classifications

eCl@ss

eCl@ss 4.0	272607xx
eCl@ss 4.1	27260701
eCl@ss 5.0	27143424
eCl@ss 5.1	27143424
eCl@ss 6.0	27143424
eCl@ss 7.0	27440209
eCl@ss 8.0	27440605
eCl@ss 9.0	27440605

ETIM

ETIM 4.0	EC000516
ETIM 5.0	EC002560
ETIM 6.0	EC002560

UNSPSC

UNSPSC 6.01	30211923
UNSPSC 7.0901	39121522

Conductor connectors - QPD CW 3PE2,5 1X6-10 BK - 1582548

Classifications

UNSPSC

UNSPSC 11	39121522
UNSPSC 12.01	39121522
UNSPSC 13.2	39121402

Approvals

Approvals

Approvals

VDE Zeichengenehmigung / GL / EAC / IEC EE CB Scheme

Ex Approvals

Approval details

VDE Zeichengenehmigung		http://www.vde.com/en/Institute/OnlineService/VDE-approved-products/Pages/Online-Search.aspx	40029149
mm ² /AWG/kcmil		1.5-2.5	
Nominal current I _N		20 A	
Nominal voltage U _N		690 V	

GL		http://exchange.dnv.com/tari/	6195914 HH
----	--	---	------------

EAC			7500651.22.01.00246
-----	--	--	---------------------

IECEE CB Scheme		http://www.iecee.org/	DE1-58228
-----------------	--	---	-----------

Accessories

Accessories

Coding element

Conductor connectors - QPD CW 3PE2,5 1X6-10 BK - 1582548

Accessories

Coding profile - CP-QPD - 1582459



Coding profile red, for pushing into the QUICKON dome and connector, can be positioned in 90° steps.

Device marking

Engraving material - GPE 13X 9 WH - 0806932



Engraving material, Sheet, white, unlabeled, can be labeled with: P1 ENGRAVING UNIT, ENGRAVING UNIT, CMS-P1-PLOTTER, PLOTMARK, Mounting type: Adhesive, Lettering field: 13 x 9 mm

Installation pressure nut

Nut - QPD N 2,5 6-10 BK - 1582226



Nut, QUICKON connection, No. of pos.: 3+PE, 1 mm² ... 2.5 mm², 690 V, 20 A, black, Cable diameter: 6 mm ... 10 mm

Nut - QPD N 2,5 9-14 BK - 1582229



Nut, QUICKON connection, No. of pos.: 3+PE, 1 mm² ... 2.5 mm², 690 V, 20 A, black, Cable diameter: 9 mm ... 14 mm

Protective cap

Protective cap - QPD QSK 2,5 FS - 1582488

Plastic protective cap, for QPD-QUICKON connectors, green, with holding band, IP68



Seal

Conductor connectors - QPD CW 3PE2,5 1X6-10 BK - 1582548

Accessories

Seal - KV-DI-PG16-1XASI - 1582462



Seal for one AS-i line, 17.2 x 9 mm, from NBR, black, for IP65/67 degree of protection

Seal - KV-DI-PG16-2XASI - 1582464



Seal for two AS-i lines, 17.2 x 9 mm, from NBR, black, for IP65/67 degree of protection

Sealing plugs

Closing cap - SEALING PLUG 10X16 RD - 1400284



Closing cap

Socket spanner

Socket wrench - QSS 22 - 1670206



Allen wrench, for loosening and fastening the QUICKON union nut, WAF 22 mm

Connector - QPD P 3PE2,5 6-10 BK - 1582202



Connector, QUICKON connection, No. of pos.: 3+PE, 1 mm² ... 2.5 mm², 690 V, 20 A, black, Cable diameter: 6 mm ... 10 mm

Conductor connectors - QPD CW 3PE2,5 1X6-10 BK - 1582548

Accessories

Connector - QPD P 3PE2,5 9-14 BK - 1582205



Connector, QUICKON connection, No. of pos.: 3+PE, 1 mm² ... 2.5 mm², 690 V, 20 A, black, Cable diameter: 9 mm ... 14 mm