

D-SUB contact insert - CUC-DSI-J1STZ-S/DSLKC1P10S - 1418759

Please be informed that the data shown in this PDF Document is generated from our Online Catalog. Please find the complete data in the user's documentation. Our General Terms of Use for Downloads are valid (<http://phoenixcontact.com/download>)

D-SUB contact insert, with 10 signal contacts and 1 power contact, with solder cups, straight, socket, attachment via 3 mm bore hole



Why buy this product

- Various connection methods for every application
- UL-approved contact inserts
- Standard-compliant pin connector pattern



Key Commercial Data

Packing unit	10 STK
GTIN	
GTIN	4055626150208

Technical data

Mechanical characteristics

Standards/specifications	DIN 41652
Number of positions	11
Insertion/withdrawal cycles	≥ 200
Connection method	Solder cups
Insertion force per signal contact	≤ 3.40 N
Mounting type	3 mm hole

Ambient conditions

Ambient temperature (operation)	-55 °C ... 130 °C
---------------------------------	-------------------

Material data

Flammability rating according to UL 94	V0
Housing material	Steel, tin-plated
Contact carrier material	Polyester GF

D-SUB contact insert - CUC-DSI-J1STZ-S/DSLKC1P10S - 1418759

Technical data

Material data

Contact material	Copper alloy
Contact surface material	Gold over nickel

Electrical characteristics

Number of positions	11
Rated current	5 A
Degree of pollution	1
Rated voltage (III/3)	400 V

Standards and Regulations

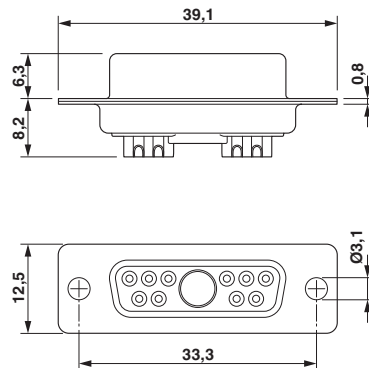
Standards/regulations	DIN 41652
Flammability rating according to UL 94	V0

Environmental Product Compliance

China RoHS	Environmentally friendly use period: unlimited = EFUP-e
	No hazardous substances above threshold values

Drawings

Dimensional drawing



Approvals

Approvals

Approvals

UL Recognized

Ex Approvals

Approval details

D-SUB contact insert - CUC-DSI-J1STZ-S/DSLKC1P10S - 1418759

Approvals

UL Recognized



<http://database.ul.com/cgi-bin/XYV/template/LISEXT/1FRAME/index.htm>

FILE E 118976

Phoenix Contact 2017 © - all rights reserved
<http://www.phoenixcontact.com>

PHOENIX CONTACT GmbH & Co. KG
Flachsmarktstr. 8
32825 Blomberg
Germany
Tel. +49 5235 300
Fax +49 5235 3 41200
<http://www.phoenixcontact.com>