

Housing - HC-STA-B24-BWSC-ELC-AL - 1411330

Please be informed that the data shown in this PDF Document is generated from our Online Catalog. Please find the complete data in the user's documentation. Our General Terms of Use for Downloads are valid (<http://phoenixcontact.com/download>)



HEAVYCON B24 panel mounting base, with single locking latch, with plastic protective cover, with flat gasket, salt-water-resistant aluminum, conductive profile gasket.

Why buy this product

- good shielding in the event of electromagnetic interference



Key Commercial Data

Packing unit	1 STK
GTIN	 4 046356 927505
GTIN	4046356927505
Weight per Piece (excluding packing)	143.350 g
Custom tariff number	85389099
Country of origin	China

Technical data

Dimensions

Height	30.5 mm
Width	53 mm
Length	140.5 mm
Length of the assembly cutout	113 mm
Width of the assembly cutout	35 mm

Ambient conditions

Degree of protection of housing (IP)	IP66 (with HC-EVO... metal sleeve housing)
	IP69K (ISO 20653:2013-02, with HC-EVO... / HC-STA... metal sleeve housing)
	IP67 (with HC-STA... sleeve housing)
	IP54 (with closed protective cover)

Housing - HC-STA-B24-BWSC-ELC-AL - 1411330

Technical data

Ambient conditions

Degree of protection of housing (NEMA)	4
	4X
	12
Ambient temperature (operation)	-40 °C ... 125 °C

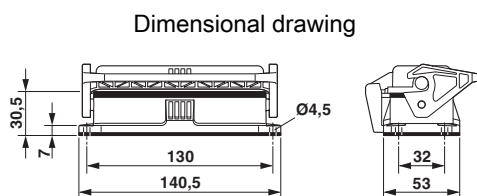
General

Note	For contact inserts HC-B24, BB46, D64, DD108, M
Size	B24
Housing type	Panel mounting base
Locking type	With single locking latch
Torque	1.5 Nm ... 2 Nm (Mounting screw)
Screw connection	none
Protective cover	Yes
Housing material	Die-cast aluminum, salt water resistant
Housing surface material	Uncoated
Material lock	Polyamide
Material, protective cover	Polyamide

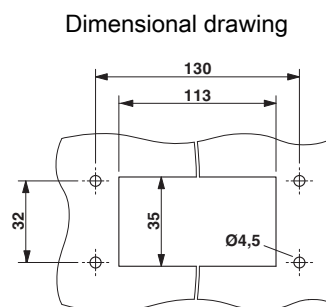
Environmental Product Compliance

China RoHS	Environmentally friendly use period: unlimited = EFUP-e
	No hazardous substances above threshold values

Drawings



Dimensional drawing



Panel cutout

Classifications

eCl@ss

eCl@ss 5.1	27143424
eCl@ss 6.0	27143424
eCl@ss 8.0	27440202
eCl@ss 9.0	27440202

Housing - HC-STA-B24-BWSC-ELC-AL - 1411330

Classifications

ETIM

ETIM 4.0	EC000437
ETIM 5.0	EC000437

Approvals

Approvals

Approvals

EAC / GL

Ex Approvals

Approval details

EAC 7500651.22.01.00246

GL http://www.gl-group.com/newbuilding/approvals/index.html 6196614
--

Accessories

Accessories

Housing latches

Replacement part - HC-STA-B24-SL-PLBK - 1412885



Single locking latch for B24 housing, HC-EVO....AL and HC-STA....AL

Seal

Flat gasket - HC-B24-SG-CBK - 1411486



Replacement flat gasket, for HEAVYCON panel mounting base, HC-STA....AL, type B24, conductive

Housing - HC-STA-B24-BWSC-ELC-AL - 1411330

Accessories

Profile gasket - HC-B24-SP-CBK - 1411482



Profile gasket for HEAVYCON EVO supporting base element type B24, conductive

Phoenix Contact 2016 © - all rights reserved
<http://www.phoenixcontact.com>