

## Bus system T-connector - SAC-M12T/2XM12 PBDP - 1458884

Please be informed that the data shown in this PDF Document is generated from our Online Catalog. Please find the complete data in the user's documentation. Our General Terms of Use for Downloads are valid (<http://phoenixcontact.com/download>)

Bus system T-connector, PROFIBUS DP (12 Mbps), 4-position, shielded, Plug straight M12, B-coded, on Plug straight M12, B-coded and Socket straight M12, B-coded



### Key Commercial Data

Packing unit	1 STK
Weight per Piece (excluding packing)	40.000 g
Custom tariff number	85366990
Country of origin	Germany

### Technical data

#### Ambient conditions

Ambient temperature (operation)	-25 °C ... 80 °C (Plug / socket)
Degree of protection	IP65
	IP67

#### General

Rated current at 40°C	4 A (Contact 1 and 3) 1 A (Contact 2 and 4)
Rated voltage	36 V DC 30 V AC
Number of positions	4
Insulation resistance	≥ 1 GΩ
Coding	B-coded
Standards/regulations	M12 connector IEC 61076-2-101
Signal type/category	PROFIBUS DP, 12 Mbps
Status display	No

# Bus system T-connector - SAC-M12T/2XM12 PBDP - 1458884

## Technical data

### General

Overvoltage category	II
Degree of pollution	3
Test voltage	1 kV
Insertion/withdrawal cycles	≥ 100
Torque	0.4 Nm (M12 connector)
	0.6 Nm ... 0.8 Nm (Mounting screw)

### Material

Flammability rating according to UL 94	V0
Contact material	CuSn
Contact surface material	Ni/Au
Contact carrier material	PUR
Material of grip body	PUR
Material, knurls	Nickel-plated brass
Sealing material	Viton

### Standards and Regulations

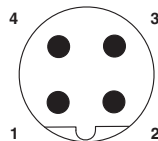
Standard designation	M12 connector
Standards/regulations	IEC 61076-2-101
Flammability rating according to UL 94	V0

### Environmental Product Compliance

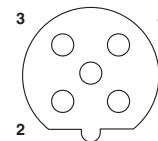
China RoHS	Environmentally friendly use period: unlimited = EFUP-e
	No hazardous substances above threshold values

## Drawings

Schematic diagram



Schematic diagram

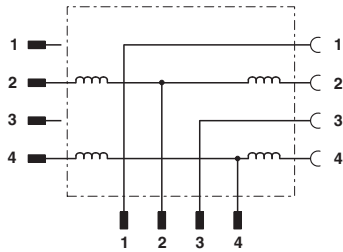


Pin assignment of M12 male connector, 4-pos., B-coded, view of pin side

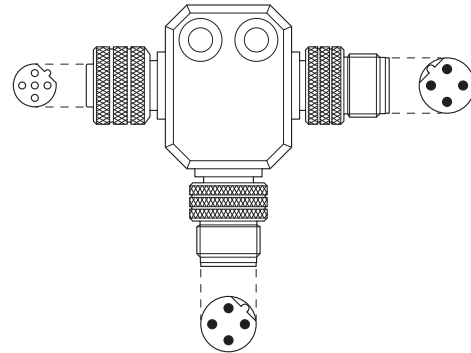
Pin assignment M12 socket, 4-pos., B-coded, view socket side

# Bus system T-connector - SAC-M12T/2XM12 PBDP - 1458884

Circuit diagram



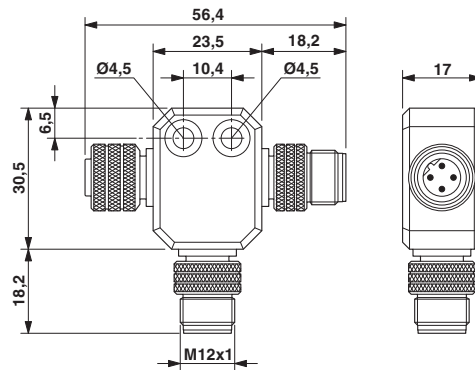
Schematic diagram



Contact assignment of the M12 plug and the M12 socket

Layout of connector pin assignments

Dimensional drawing



M12 T distributor

## Classifications

eCl@ss

eCl@ss 4.0	27060306
eCl@ss 4.1	27060306
eCl@ss 5.0	27061801
eCl@ss 5.1	27061801
eCl@ss 6.0	27279218
eCl@ss 7.0	27279218
eCl@ss 8.0	27440102
eCl@ss 9.0	27440103

## Bus system T-connector - SAC-M12T/2XM12 PBDP - 1458884

### Classifications

#### ETIM

ETIM 3.0	EC001855
ETIM 4.0	EC002061
ETIM 5.0	EC002635

#### UNSPSC

UNSPSC 6.01	31251501
UNSPSC 7.0901	31251501
UNSPSC 11	31251501
UNSPSC 12.01	31251501
UNSPSC 13.2	31251501

### Approvals

#### Approvals

---

Approvals

EAC / EAC

---

Ex Approvals

---

#### Approval details

EAC 7500651.22.01.00246
-------------------------

EAC EAC-Zulassung
-------------------

---