

## Flush-type connector - SACC-DSI-FS-5CON-L180/SH VT - 1456501

Please be informed that the data shown in this PDF Document is generated from our Online Catalog. Please find the complete data in the user's documentation. Our General Terms of Use for Downloads are valid (<http://phoenixcontact.com/download>)



Sensor/actuator flush-type socket, with violet contact carrier, 5-pos., M12 SPEEDCON, shielded, A-coded, rear/screw mounting with M16 thread, with straight solder connection

### Product Features

- Easy PCB assembly: one-piece connectors for wave soldering
- All standard pin assignments and codings for signal, data, and power transmission with a uniform design-in design
- For high transmission reliability: optional shield connection to the housing by means of shield contact



### Key Commercial Data

|                        |          |
|------------------------|----------|
| Packing unit           | 1 pc     |
| Minimum order quantity | 20 pc    |
| Custom tariff number   | 85366990 |
| Country of origin      | Germany  |

### Technical data

#### Dimensions

|                          |      |
|--------------------------|------|
| Length of the solder pin | 6 mm |
|--------------------------|------|

#### Ambient conditions

|                                 |                                  |
|---------------------------------|----------------------------------|
| Ambient temperature (operation) | -25 °C ... 85 °C (Plug / socket) |
| Degree of protection            | IP67                             |

#### General

|                       |          |
|-----------------------|----------|
| Rated current at 40°C | 4 A      |
| Rated voltage         | 60 V     |
| Rated surge voltage   | 1.5 kV   |
| Number of positions   | 5        |
| Insulation resistance | ≥ 100 MΩ |

# Flush-type connector - SACC-DSI-FS-5CON-L180/SH VT - 1456501

## Technical data

### General

|                             |                                   |
|-----------------------------|-----------------------------------|
| Coding                      | A - standard                      |
| Standards/regulations       | M12 connector IEC 61076-2-101     |
| Status display              | No                                |
| Overvoltage category        | II                                |
| Degree of pollution         | 3                                 |
| Connection method           | Solder pins                       |
| Insertion/withdrawal cycles | > 100                             |
| Torque                      | 3 Nm ... 4 Nm (Installation-side) |
| Mounting type               | Rear mounting Pg9 With flat nut   |

### Material

|  |                              |
|--|------------------------------|
| Flammability rating according to UL 94 | V0                           |
| Contact material                       | CuZn                         |
| Contact surface material               | Au                           |
| Contact carrier material               | PA 66                        |
| Material, knurls                       | Zinc die-cast, nickel-plated |
| Sealing material                       | NBR                          |

### Standards and Regulations

|  |                 |
|--|-----------------|
| Standard designation                   | M12 connector   |
| Standards/regulations                  | IEC 61076-2-101 |
| Flammability rating according to UL 94 | V0              |

## Classifications

### eCl@ss

|            |          |
|------------|----------|
| eCl@ss 4.0 | 27250313 |
| eCl@ss 4.1 | 27250313 |
| eCl@ss 5.0 | 27143423 |
| eCl@ss 5.1 | 27143423 |
| eCl@ss 6.0 | 27143423 |
| eCl@ss 7.0 | 27449001 |
| eCl@ss 8.0 | 27440103 |
| eCl@ss 9.0 | 27440102 |

### ETIM

|          |          |
|----------|----------|
| ETIM 4.0 | EC002061 |
| ETIM 5.0 | EC002061 |

# Flush-type connector - SACC-DSI-FS-5CON-L180/SH VT - 1456501

## Classifications

### UNSPSC

|               |          |
|---------------|----------|
| UNSPSC 6.01   | 31261501 |
| UNSPSC 7.0901 | 31261501 |
| UNSPSC 11     | 31261501 |
| UNSPSC 12.01  | 31261501 |
| UNSPSC 13.2   | 31261501 |

## Approvals

### Approvals

---

#### Approvals

EAC / cULus Recognized / EAC

---

#### Ex Approvals

---

#### Approvals submitted

---

## Approval details

|     |
|-----|
| EAC |
|-----|

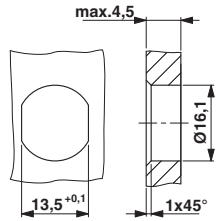
|                                |      |
|--------------------------------|------|
| cULus Recognized               |      |
| mm <sup>2</sup> /AWG/kcmil     | 20   |
| Nominal current I <sub>N</sub> | 4 A  |
| Nominal voltage U <sub>N</sub> | 60 V |

|     |
|-----|
| EAC |
|-----|

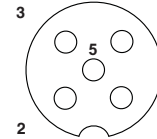
## Drawings

# Flush-type connector - SACC-DSI-FS-5CON-L180/SH VT - 1456501

Dimensional drawing



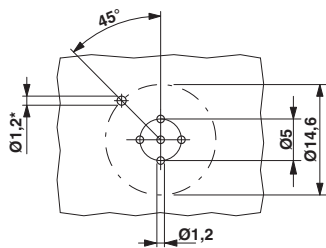
Schematic diagram



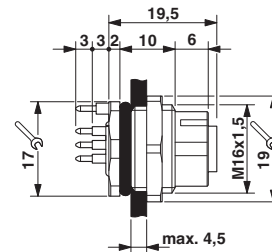
Pin assignment M12 socket, 5-pos., A-coded, socket side view

Housing cutout for M16 fastening thread, mounting panel with feed-through hole (alternatively with area as anti-rotation protection for panel thicknesses > 2 mm up to max. 4.5 mm)

Drilling diagram

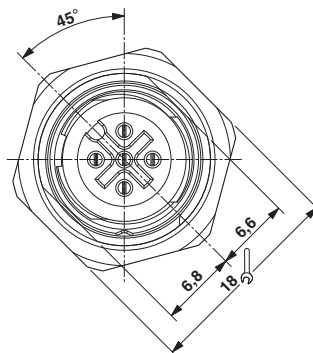


Dimensional drawing



M12 flush-type connector

Dimensional drawing



M12 front view