

Repeater - PSI-REP-PROFIBUS/12MB - 2708863

Please be informed that the data shown in this PDF Document is generated from our Online Catalog. Please find the complete data in the user's documentation. Our General Terms of Use for Downloads are valid (<http://phoenixcontact.com/download>)




Modular repeater for electrical isolation and range increase for PROFIBUS up to 12 Mbps, 4-way isolation, rail-mountable, supply 24 V DC

Product Features

- Automatic data rate detection or fixed data rate setting via DIP switches
- Suitable for all data rates up to 12 Mbps
- High-quality 4-way isolation between all interfaces
- Bit oversampling for reliable detection of sporadic disturbances
- Bit retiming for unrestricted cascading of devices
- Filtering of faulty telegrams based on start delimiter detection
- Can be combined with PSI-MOS FO converters in a modular way thanks to DIN rail connectors



Key Commercial Data

Packing unit	1 pc
GTIN	 4 046356 078993
Weight per Piece (excluding packing)	212.4 g
Custom tariff number	85176200
Country of origin	Germany

Technical data

Note

Utilization restriction	EMC: class A product, see manufacturer's declaration in the download area
-------------------------	---

Dimensions

Width	35 mm
Height	99 mm
Depth	105 mm

Repeater - PSI-REP-PROFIBUS/12MB - 2708863

Technical data

Ambient conditions

Ambient temperature (operation)	-20 °C ... 60 °C
Ambient temperature (storage/transport)	-40 °C ... 85 °C
Permissible humidity (operation)	30 % ... 95 % (non-condensing)
Altitude	5000 m (For restrictions see manufacturer's declaration)
Degree of protection	IP20
Noise immunity	EN 61000-4-2

General

Transmission channels	2 (1/1), TD, RD, half duplex
Bit delay	1 Bit (Direct mode)
Bit distortion, input	max. ± 35 %
Bit distortion, output	< 6.25 %
Electrical isolation	VCC // TBUS // PROFIBUS (A) // PROFIBUS (B)
Test voltage data interfaces	1.5 kV
Test voltage data interface/power supply	1.5 kV _{rms} (50 Hz, 1 min.)
Standards/regulations	DIN EN 50178, DIN EN 60950
Electromagnetic compatibility	Conformance with EMC Directive 2014/30/EU
Noise emission	EN 55011
Net weight	212.4 g
Housing material	PA 6.6-FR
Color	green
MTBF	1136 Years (Telcordia standard, 25°C temperature, 21% operating cycle (5 days a week, 8 hours a day))
	238 Years (Telcordia standard, 40°C temperature, 34.25% operating cycle (5 days a week, 12 hours a day))
MTTF	1638 Years (SN 29500 standard, temperature 25°C, operating cycle 21 % (5 days a week, 8 hours a day))
	812 Years (SN 29500 standard, temperature 40 °C, operating cycle 34.25 % (5 days a week, 12 hours a day))
	340 Years (SN 29500 standard, temperature 40°C, operating cycle 100 % (7 days a week, 24 hours a day))
Conformance	CE-compliant
ATEX	# II 3 G Ex nA nC IIC T4 Gc X (Please follow the special installation instructions in the documentation!)
UL, USA / Canada	cULus listed UL 508
	Class I, Zone 2, AEx nA IIC T6
	Class I, Zone 2, Ex nA IIC T6 Gc X
	Class I, Div. 2, Groups A, B, C, D

Power supply

Nominal supply voltage	24 V DC (With UL approval)
Supply voltage range	18 V DC ... 30 V DC (via pluggable COMBICON screw terminal block)
Typical current consumption	90 mA (24 V DC)

Repeater - PSI-REP-PROFIBUS/12MB - 2708863

Technical data

Serial interface

Interface 1	PROFIBUS acc. to IEC 61158, RS-485 2-conductor
Operating mode	Through PROFIBUS connector
Connection method	D-SUB-9 female connector
File format/coding	UART (11 Bit, NRZ)
Data direction switching	Automatic control, min. station response time 2 bits
Transmission medium	2-wire twisted pair, shielded
Transmission length	≤ 1200 m (Depends on transmission speed and cable type)
Termination resistor	external
Conductor cross section solid min.	0.2 mm ²
Conductor cross section solid max.	2.5 mm ²
Conductor cross section flexible min.	0.2 mm ²
Conductor cross section flexible max.	2.5 mm ²
Conductor cross section AWG min.	24
Conductor cross section AWG max.	14
Output nominal voltage	5 V DC ±5 %
Output current	50 mA

Digital outputs

Output name	Relay output
Output description	Alarm output
Number of outputs	1
Maximum switching voltage	30 V DC (1 A)
	65 V DC (0.46 A)
	150 V AC (0.46 A)

Standards and Regulations

Electromagnetic compatibility	Conformance with EMC Directive 2014/30/EU
Type of test	Free fall in acc. with IEC 60068-2-32
Test result	1 m
Type of test	Vibration resistance in acc. with EN 60068-2-6/IEC 60068-2-6
Test result	5g, 10-150 Hz, 2.5 h, in XYZ direction
Type of test	Shock in acc. with EN 60068-2-27/IEC 60068-2-27
Test result	15g, 11 ms period, half-sine shock pulse
Noise emission	EN 55011
Noise immunity	EN 61000-4-2
Free from substances that could impair the application of coating	according to P-VW 3.10.7 57 65 0 VW-AUDI-Seat central standard
Connection in acc. with standard	CUL
Standards/regulations	EN 61000-4-3
	EN 61000-4-4
	EN 61000-4-6
Designation	Air clearances and creepage distances
Standards/regulations	DIN EN 50178, DIN EN 60950

Repeater - PSI-REP-PROFIBUS/12MB - 2708863

Technical data

Standards and Regulations

Conformance	CE-compliant
ATEX	# II 3 G Ex nA nC IIC T4 Gc X
UL, USA / Canada	cULus listed UL 508
	Class I, Zone 2, AEx nA IIC T6
	Class I, Zone 2, Ex nA IIC T6 Gc X
	Class I, Div. 2, Groups A, B, C, D

Classifications

eCl@ss

eCl@ss 4.0	27250312
eCl@ss 4.1	27250312
eCl@ss 5.0	27242208
eCl@ss 5.1	27242208
eCl@ss 6.0	27242208
eCl@ss 7.0	27242208
eCl@ss 8.0	19179290
eCl@ss 9.0	19179290

ETIM

ETIM 2.0	EC000698
ETIM 3.0	EC000698
ETIM 4.0	EC000698
ETIM 5.0	EC000310

UNSPSC

UNSPSC 6.01	30211506
UNSPSC 7.0901	39121008
UNSPSC 11	39121008
UNSPSC 12.01	39121008
UNSPSC 13.2	43201553

Approvals

Approvals

Approvals

UL Recognized / cUL Recognized / EAC / KC / cULus Recognized

Ex Approvals

UL Listed / cUL Listed / UL Listed / cUL Listed / UL Listed / cUL Listed / cULus Listed

Repeater - PSI-REP-PROFIBUS/12MB - 2708863

Approvals

Approvals submitted

Approval details

UL Recognized

cUL Recognized

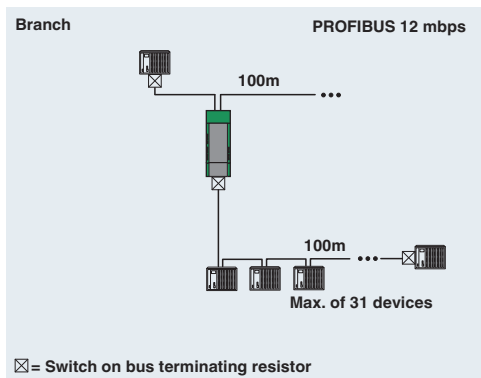
EAC

KC

cULus Recognized

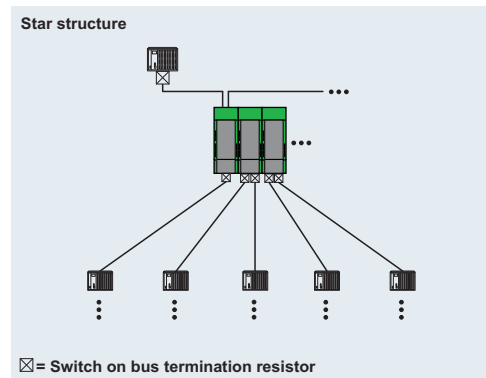
Drawings

Application drawing



Branch line

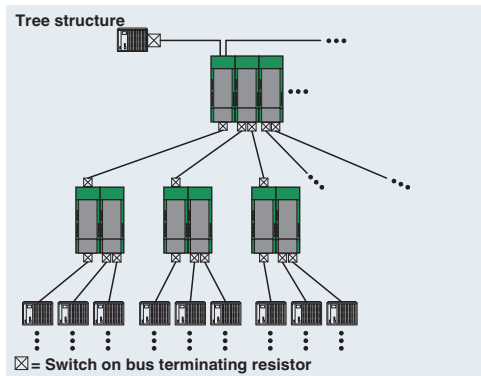
Application drawing



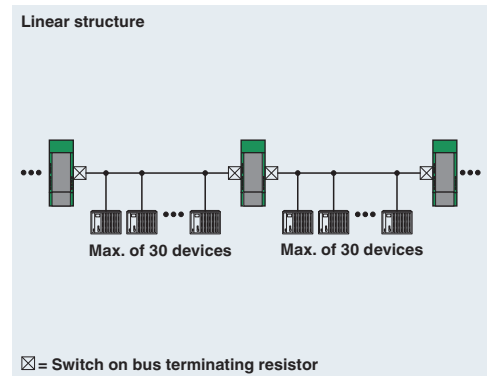
Star structure

Repeater - PSI-REP-PROFIBUS/12MB - 2708863

Application drawing



Application drawing



Tree structure

Line structure

Block diagram

