

## Signal conditioner - MACX MCR-UI-UI-UP-NC - 2811297

Please be informed that the data shown in this PDF Document is generated from our Online Catalog. Please find the complete data in the user's documentation. Our General Terms of Use for Downloads are valid (<http://phoenixcontact.com/download>)



Isolating amplifier with safe electrical isolation and wide-range power supply (24 V ... 230 V AC/DC). DIP switches on the front, over 1600 signal conversions can be set. Standard configuration (IN 0 ... 10 V/OUT 0 ... 20 mA), screw connection, SIL.

### Product Features

- Over 1600 signal conversions can be set via DIP switches on the front
- Up to SIL 2 according to EN 61508
- Installation in zone 2 permitted
- Analog signal conditioner for isolating, filtering, amplifying, and converting standard analog signals
- Configurable input and output signals including bipolar current and voltage signals
- Status indicator for supply voltage
- Wide-range power supply of 19.2 ... 253 V AC/DC
- Plug-in screw or spring-cage connection technology (Push-in technology)
- 3-way electrical isolation
- Active or passive output



### Key Commercial Data

Packing unit	1 pc
GTIN	4 046356 288910
Weight per Piece (excluding packing)	167.2 g
Custom tariff number	85437090
Country of origin	Germany

### Technical data

#### Note

Utilization restriction	EMC: class A product, see manufacturer's declaration in the download area
-------------------------	---

#### Dimensions

# Signal conditioner - MACX MCR-UI-UI-UP-NC - 2811297

## Technical data

### Dimensions

Width	12.5 mm
Height	99 mm
Depth	114.5 mm

### Ambient conditions

Ambient temperature (operation)	-20 °C ... 70 °C
Ambient temperature (storage/transport)	-40 °C ... 85 °C
Maximum altitude	≤ 2000 m
Degree of protection	IP20

### Input data

Number of inputs	1
Voltage input signal	0 mV ... 50 mV
	0 mV ... 60 mV
	0 mV ... 75 mV
	0 mV ... 100 mV
	0 mV ... 120 mV
	0 mV ... 150 mV
	0 mV ... 200 mV
	0 mV ... 300 mV
	0 mV ... 500 mV
	0 V ... 1 V
	0 V ... 1.5 V
	0 V ... 2 V
	0 V ... 3 V
	0 V ... 5 V
	0 V ... 10 V (Configurable via DIP switches)
	0 V ... 15 V
	0 V ... 20 V
	0 V ... 30 V
	0 V ... 50 V
	0 V ... 100 V
	-50 mV ... 50 mV
	-60 mV ... 60 mV
	-75 mV ... 75 mV
	-100 mV ... 100 mV
	-120 mV ... 120 mV
	-150 mV ... 150 mV
	-200 mV ... 200 mV
	-300 mV ... 300 mV
	-500 mV ... 500 mV
	-1 V ... 1 V

# Signal conditioner - MACX MCR-UI-UI-UP-NC - 2811297

## Technical data

### Input data

	-1.5 V ... 1.5 V
	-2 V ... 2 V
	-3 V ... 3 V
	-5 V ... 5 V
	-10 V ... 10 V
	-15 V ... 15 V
	-20 V ... 20 V
	-30 V ... 30 V
	-50 V ... 50 V
	-100 V ... 100 V
	1 V ... 5 V
	2 V ... 10 V
Current input signal	0 mA ... 1 mA (Configurable via DIP switches)
	0 mA ... 1.5 mA
	0 mA ... 2 mA
	0 mA ... 3 mA
	0 mA ... 5 mA
	0 mA ... 10 mA
	0 mA ... 15 mA
	0 mA ... 20 mA
	0 mA ... 30 mA
	0 mA ... 50 mA
	0 mA ... 100 mA
	-1 mA ... 1 mA
	-1.5 mA ... 1.5 mA
	-2 mA ... 2 mA
	-3 mA ... 3 mA
	-5 mA ... 5 mA
	-10 mA ... 10 mA
	-15 mA ... 15 mA
	-20 mA ... 20 mA
	-30 mA ... 30 mA
	-50 mA ... 50 mA
	-100 mA ... 100 mA
	1 mA ... 5 mA
	2 mA ... 10 mA
	4 mA ... 20 mA
Max. input voltage	± 100 V
Max. input current	± 100 mA
Input resistance of voltage input	approx. 1 MΩ (± 1 V DC ... ± 100 V DC)

# Signal conditioner - MACX MCR-UI-UI-UP-NC - 2811297

## Technical data

### Input data

Input resistance current input	approx. 10 Ω (± 10 mA DC ... ± 100 mA DC)
--------------------------------	---

### Output data

Number of outputs	1
Configurable/programmable	Yes, can be switched
Voltage output signal	0 V ... 10 V (Configurable via DIP switches)
	0 V ... 5 V
	2 V ... 10 V
	1 V ... 5 V
	-10 V ... 10 V
	-5 V ... 5 V
	0 V ... 2.5 V
	0.5 V ... 2.5 V
	-2.5 V ... 2.5 V
Current output signal	0 mA ... 5 mA
	0 mA ... 10 mA
	0 mA ... 20 mA (Configurable via DIP switches)
	1 mA ... 5 mA
	2 mA ... 10 mA
	4 mA ... 20 mA
	-5 mA ... 5 mA
	-10 mA ... 10 mA
	-20 mA ... 20 mA
Max. output voltage	15 V
Max. output current	35 mA
Load/output load voltage output	≥ 1 kΩ (10 V)
Load/output load current output	≤ 600 Ω (20 mA; active)
	passive: ≤ (UB-2 V) / I <sub>outmax</sub>

### Power supply

Supply voltage range	24 V ... 230 V AC/DC (-20 %/+10 %, 50/60 Hz)
----------------------	--

### Connection data

Connection method	Screw connection
Conductor cross section solid min.	0.2 mm <sup>2</sup>
Conductor cross section solid max.	2.5 mm <sup>2</sup>
Conductor cross section AWG min.	24
Conductor cross section AWG max.	14
Conductor cross section flexible min.	0.2 mm <sup>2</sup>
Conductor cross section flexible max.	2.5 mm <sup>2</sup>
Stripping length	8 mm
Screw thread	M3

# Signal conditioner - MACX MCR-UI-UI-UP-NC - 2811297

## Technical data

### Connection data

Connection method	COMBICON
-------------------	----------

### General

No. of channels	1
Maximum transmission error	≤ 0.1 % (Compared to the final value)
Maximum temperature coefficient	0.0075 %/K
Limit frequency (3 dB)	10 kHz (Can be switched to 30 Hz)
Alignment zero	± 4 %
Alignment span	± 4 %
Step response (10-90%)	35 µs (at 10 kHz) 11 ms (At 30 Hz)
Protective circuit	Transient protection
Overvoltage category	II
Degree of pollution	2
Rated insulation voltage	300 V AC
Electromagnetic compatibility	Conformance with EMC directive
Noise immunity	EN 61000-6-2 When being exposed to interference, there may be minimal deviations.
Color	green
Housing material	PA 66-FR
Mounting position	any
Conformance	CE-compliant
ATEX	# II 3 G Ex nA IIC T4 Gc
IECEX	Ex nA IIC T4 Gc
UL, USA / Canada	UL 61010 Listed Class I, Div. 2, Groups A, B, C, D T6 Class I, Zone 2, Group IIC
Functional Safety (SIL)	SIL 2

### Safety characteristic data

Integrity requirement	IEC 61508 - Low demand
Designation	Input isolator (live zero signals)
Architecture	Single-channel, 1oo1
Equipment type	Type A
Safety Integrity Level (SIL)	Up to 2
Safe Failure Fraction (SFF)	85.9 %
MTBF	231 Years
$\lambda_{SU}$	$3.7 \times 10^{-7}$ (370 FIT)
$\lambda_{SD}$	0
$\lambda_{DU}$	$6 \times 10^{-8}$ (60 FIT)
$\lambda_{DD}$	0
Probability of a hazardous failure on demand ( $PFD_{AVG}$ )	$2.7 \times 10^{-4}$ (1 year)

# Signal conditioner - MACX MCR-UI-UI-UP-NC - 2811297

## Technical data

### Safety characteristic data

Diagnostic coverage (DC)	0 %
Integrity requirement	IEC 61508 - Low demand
Designation	Output isolator (live zero signals)
Architecture	Single-channel, 1oo1
Equipment type	Type A
Safety Integrity Level (SIL)	Up to 2
Safe Failure Fraction (SFF)	82.7 %
MTBF	233 Years
$\lambda_{SU}$	$3.5 \times 10^{-7}$ (350 FIT)
$\lambda_{SD}$	0
$\lambda_{DU}$	$7.3 \times 10^{-8}$ (73 FIT)
$\lambda_{DD}$	0
Probability of a hazardous failure on demand (PFD <sub>AVG</sub> )	$3.2 \times 10^{-4}$ (1 year)
Diagnostic coverage (DC)	0 %
Integrity requirement	IEC 61508 - High demand
Designation	Input isolator (live zero signals)
Architecture	Single-channel, 1oo1
Equipment type	Type A
Safety Integrity Level (SIL)	Up to 2
Safe Failure Fraction (SFF)	85.9 %
MTBF	231 Years
$\lambda_{SU}$	$3.7 \times 10^{-7}$ (370 FIT)
$\lambda_{SD}$	0
$\lambda_{DU}$	$5.97 \times 10^{-8}$ (59.7 FIT)
$\lambda_{DD}$	0
Probability of a hazardous failure per hour (PFH <sub>D</sub> )	$6.0 \times 10^{-8}$
Diagnostic coverage (DC)	0 %
Integrity requirement	IEC 61508 - High demand
Designation	Output isolator (live zero signals)
Architecture	Single-channel, 1oo1
Equipment type	Type A
Safety Integrity Level (SIL)	Up to 2
Safe Failure Fraction (SFF)	82.7 %
MTBF	233 Years
$\lambda_{SU}$	$3.5 \times 10^{-7}$ (350 FIT)
$\lambda_{SD}$	0
$\lambda_{DU}$	$7.3 \times 10^{-8}$ (73 FIT)
$\lambda_{DD}$	0
Probability of a hazardous failure per hour (PFH <sub>D</sub> )	$7.3 \times 10^{-8}$

# Signal conditioner - MACX MCR-UI-UI-UP-NC - 2811297

## Technical data

### Safety characteristic data

Diagnostic coverage (DC)	0 %
--------------------------	-----

### Standards and Regulations

Electromagnetic compatibility	Conformance with EMC directive
Conformance	CE-compliant
ATEX	# II 3 G Ex nA IIC T4 Gc
IECEX	Ex nA IIC T4 Gc
UL, USA / Canada	UL 61010 Listed
	Class I, Div. 2, Groups A, B, C, D T6
	Class I, Zone 2, Group IIC

## Classifications

### eCl@ss

eCl@ss 4.0	27210120
eCl@ss 4.1	27210120
eCl@ss 5.0	27210120
eCl@ss 5.1	27210120
eCl@ss 6.0	27210120
eCl@ss 7.0	27210120
eCl@ss 8.0	27210120
eCl@ss 9.0	27210120

### ETIM

ETIM 2.0	EC001485
ETIM 3.0	EC001485
ETIM 4.0	EC002653
ETIM 5.0	EC002653

### UNSPSC

UNSPSC 6.01	30211506
UNSPSC 7.0901	39121008
UNSPSC 11	39121008
UNSPSC 12.01	39121008
UNSPSC 13.2	39121008

## Approvals

### Approvals

#### Approvals

UL Listed / cUL Listed / Functional Safety / EAC / cULus Listed

# Signal conditioner - MACX MCR-UI-UI-UP-NC - 2811297

## Approvals

Ex Approvals

IECEx / ATEX / UL Listed / cUL Listed / cULus Listed

Approvals submitted

## Approval details

UL Listed

cUL Listed

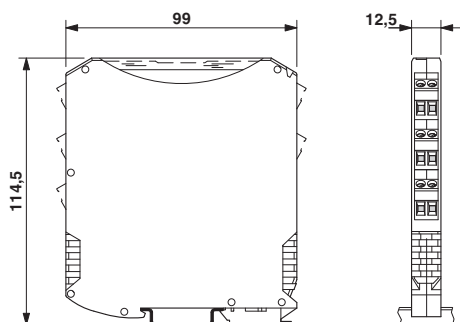
Functional Safety

EAC

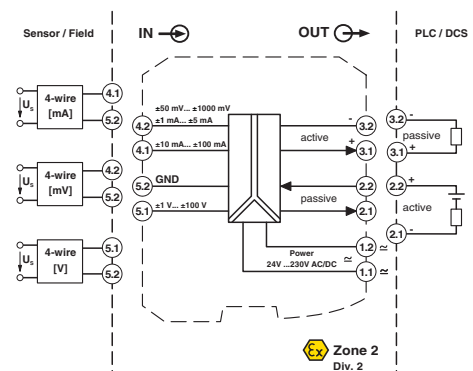
cULus Listed

## Drawings

Dimensional drawing



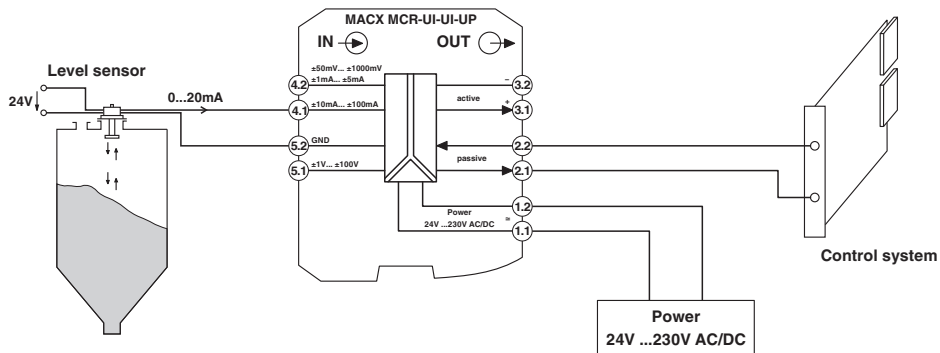
Block diagram





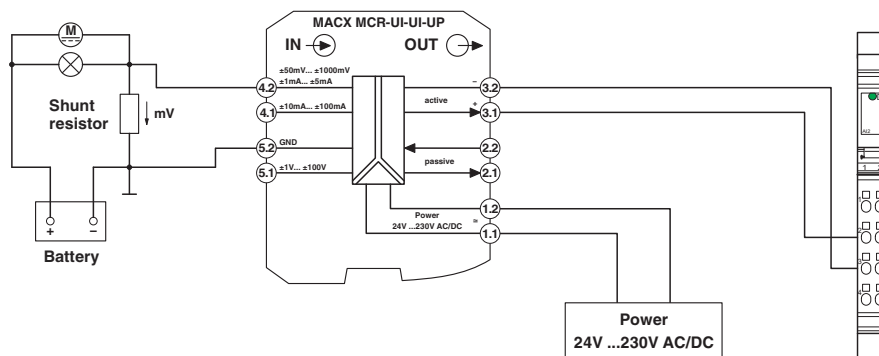
# Signal conditioner - MACX MCR-UI-UI-UP-NC - 2811297

Application drawing



Level measurement with analog input terminals (active input card)

Application drawing



Shunt measurement and Inline terminal with analog input channels within an Inline station (passive input card)