

Solid-state relays - ST-OV3- 24DC/240AC/3 - 2903231

Please be informed that the data shown in this PDF Document is generated from our Online Catalog. Please find the complete data in the user's documentation. Our General Terms of Use for Downloads are valid (<http://phoenixcontact.com/download>)




Plug-in power solid-state relay, with LED and protective circuit in input and output circuits, input: 24 V DC, output: 24 - 280 V AC/max. 3 A, can be plugged into basic terminal blocks

The illustration shows version ST-OV
3- 5 DC/240 AC/3



Key commercial data

Packing unit	1 pc
GTIN	 4 017918 079017
Weight per Piece (excluding packing)	56.59 GRM
Custom tariff number	85364190
Country of origin	Germany

Technical data

Dimensions

Width	20.8 mm
Height	33 mm
Depth	66.5 mm

Ambient conditions

Ambient temperature (operation)	-20 °C ... 60 °C
Ambient temperature (storage/transport)	-20 °C ... 70 °C

Input data

Nominal input voltage U_N	24 V DC ± 20 %
Switching threshold "0" signal in reference to U_N	≤ 0.4
Switching threshold "1" signal in reference to U_N	≥ 0.8
Typical input current at U_N	7 mA

Solid-state relays - ST-OV3- 24DC/240AC/3 - 2903231

Technical data

Input data

Typical response time	switch-on time: Max. one half cycle - zero-voltage crossing
Typical turn-off time	switch-off time Max. one half cycle - zero-current crossing
Operating voltage display	Yellow LED
Type of protection	Protection against polarity reversal
Protective circuit/component	Polarity protection diode
Transmission frequency	25 Hz

Output data

Output voltage range	24 V AC ... 280 V AC
Limiting continuous current	3 A (see derating curve)
Min. load current	50 mA
Leakage current	5 mA (in off state - components with low minimum load and leakage currents on request.)
Surge current	35 A (t = 10 ms)
Max. load value	6 A ² s (I ² x t at t = 8.3 ms)
Peak offstate voltage	600 V
Voltage drop at max. limiting continuous current	1.5 V
Output circuit	2-wire, floating
Protective circuit/component	RC element

General

Test voltage input/output	2.5 kV AC
Mounting position	any
Standards/regulations	DIN VDE 0110

Classifications

eCl@ss

eCl@ss 4.0	27371102
eCl@ss 4.1	27371102
eCl@ss 5.0	27371001
eCl@ss 5.1	27371001
eCl@ss 6.0	27371001
eCl@ss 7.0	27371001
eCl@ss 8.0	27371001

ETIM

ETIM 2.0	EC001504
ETIM 3.0	EC001504

Solid-state relays - ST-OV3- 24DC/240AC/3 - 2903231

Classifications

ETIM

ETIM 4.0	EC001504
ETIM 5.0	EC001504

UNSPSC

UNSPSC 6.01	30211916
UNSPSC 7.0901	39121542
UNSPSC 11	39121542
UNSPSC 12.01	39121542
UNSPSC 13.2	39121542

Approvals

Approvals

Approvals

GOST / GOST

Ex Approvals

Approvals submitted

Approval details

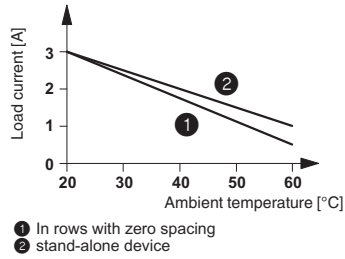
GOST 
--

GOST 
--

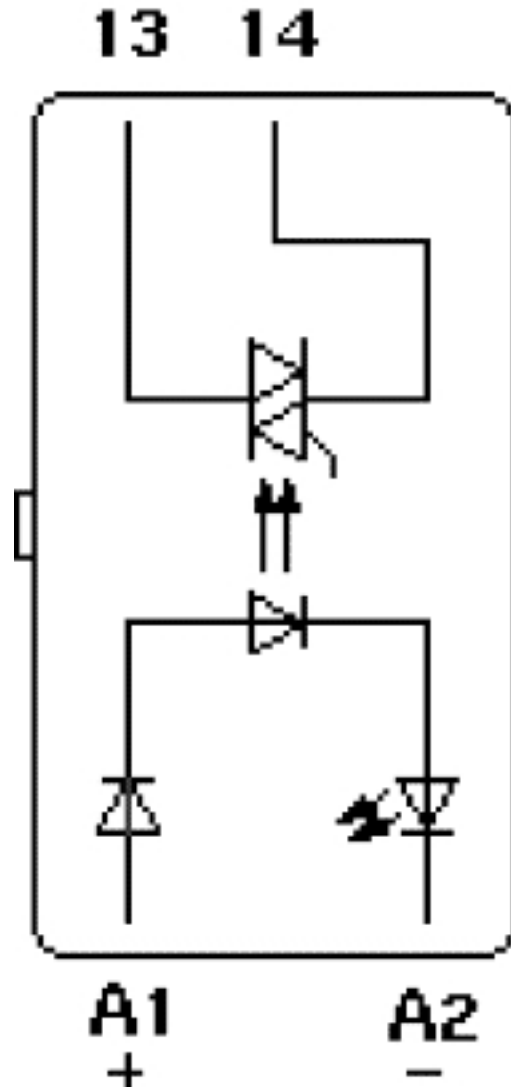
Drawings

Solid-state relays - ST-OV3- 24DC/240AC/3 - 2903231

Diagram



Circuit diagram



Solid-state relays - ST-OV3- 24DC/240AC/3 - 2903231

Circuit diagram

