

SMS relay - TC MOBILE I/O X200 AC - 2903806

Please be informed that the data shown in this PDF Document is generated from our Online Catalog. Please find the complete data in the user's documentation. Our General Terms of Use for Downloads are valid (<http://phoenixcontact.com/download>)



Successor to the SMS relay: monitor analog and digital values via the mobile communication network, and switch relay outputs remotely. Communication is via SMS or GPRS (e-mail). Supply voltage range of 93 V ... 250 V AC.

Product description


The compact TC MOBILE I/O X200 AC signaling system is the successor to the PSI-MODEM-SMS-RELAY/6 DI/4DO/AC SMS relay (Order No. 2313513) and is used to monitor analog and digital values via the mobile communication network and switch relay outputs remotely. A USB connection to a computer and a web browser is all that is needed for configuration. The device features numerous helpful software functions, such as mobile communication diagnostics, sending of log books via e-mail, and different user roles.

Product Features

- Notification via SMS on change of status at input
- SMS status query of all inputs and outputs
- SMS relay for remote control of outputs
- Can be used worldwide
- Alarm generation on voltage failure via SMS
- GSM mobile phone network: 850, 900, 1800, and 1900 MHz
- Switching of outputs for a predefined time
- Communication via SMS and e-mail
- Configuration via USB and web browser
- Compact design: 4 pitches (DIN 43880)



Key commercial data

Packing unit	1
GTIN	 4 046356 768849
Custom tariff number	85176200

Technical data

Note

SMS relay - TC MOBILE I/O X200 AC - 2903806

Technical data

Note

Utilization restriction	EMC: class A product, see manufacturer's declaration in the download area
-------------------------	---

Dimensions

Width	72 mm
Height	90 mm
Depth	62 mm

Ambient conditions

Ambient temperature (operation)	-25 °C ... 70 °C (for derating, see technical documentation)
Ambient temperature (storage/transport)	-40 °C ... 85 °C
Permissible humidity (operation)	0 % ... 95 %
Altitude	2000 m
Degree of protection	IP20

General

Standards/regulations	EN 50121-4
Electromagnetic compatibility	Conformance with EMC Directive 2004/108/EC
Housing material	Polycarbonate
MTTF	144 Years (SN 29500 standard, temperature 25°C, operating cycle 21 % (5 days a week, 8 hours a day))
	301 Years (SN 29500 standard, temperature 40 °C, operating cycle 34.25 % (5 days a week, 12 hours a day))
	743 Years (SN 29500 standard, temperature 40°C, operating cycle 100 % (7 days a week, 24 hours a day))
Conformance	CE-compliant
ATEX	# II 3 G Ex nA nC IIC T4 Gc X (Please follow the special installation instructions in the documentation!)
UL, USA / Canada	cULus listed UL 508

Power supply

Supply voltage range	93 V AC ... 250 V AC (47.5 Hz ... 63 Hz)
Typical current consumption	30 mA (230 V AC)
	10 mA (stand by)

Serial interface

Interface 1	USB 2.0
Connection method	Mini-USB type B, 5-pos.
Transmission length	≤ 3 m (only for configuration and diagnostics)

Radio interface

Interface description	GSM
-----------------------	-----

SMS relay - TC MOBILE I/O X200 AC - 2903806

Technical data

Radio interface

Frequency	850 MHz (2 W (EGSM))
	900 MHz (2 W (EGSM))
	1800 MHz (1 W (EGSM))
	1900 MHz (1 W (EGSM))
EDGE	Multislot Class 10

Digital outputs

Output name	Relay output
Number of outputs	4
Contact type	N/O contact
Maximum switching voltage	250 V AC
	125 V DC
Limiting continuous current	5 A
Electrical service life	150000 cycles (5 A / 30 V DC)
	150000 cycles (3 A / 120 V AC)
	30000 cycles (5 A/250 V AC)

Digital inputs

Description of the input	Digital input
Number of inputs	4
Switching level "0" signal	0 V AC ... 50 V AC
Switching level "1" signal	90 V AC ... 250 V AC

Classifications

eCl@ss

eCl@ss 4.0	27250312
eCl@ss 4.1	27250312
eCl@ss 5.0	27242208
eCl@ss 5.1	27242208
eCl@ss 6.0	27242208
eCl@ss 7.0	27242208
eCl@ss 8.0	27242208

ETIM

ETIM 3.0	EC000310
ETIM 4.0	EC000310
ETIM 5.0	EC000310

SMS relay - TC MOBILE I/O X200 AC - 2903806

Classifications

UNSPSC

UNSPSC 6.01	30211506
UNSPSC 7.0901	39121008
UNSPSC 11	39121008
UNSPSC 12.01	39121008
UNSPSC 13.2	43201553

Approvals

Approvals

Approvals


UL Listed / cUL Listed / cULus Listed

Ex Approvals

ATEX

Approvals submitted

Approval details

UL Listed 

cUL Listed 

cULus Listed 

Accessories

Accessories

Adapter cable

SMS relay - TC MOBILE I/O X200 AC - 2903806

Accessories

USB cable - CABLE-USB/MINI-USB-3,0M - 2986135



USB connecting cable: USB plug type A to USB plug type Mini-B; length: 3 m

Antenna

Antenna - PSI-GSM-STUB-ANT - 2313342



GSM antenna for direct assembly on the device, angled antenna connector (90°, SMA round connector). The antenna is suitable for installations in plastic control cabinets that are not visible externally.

Antenna - PSI-GSM/UMTS-ANT-OMNI-2-5 - 2900982



GSM/UMTS omnidirectional antenna, 2 dBi gain, 5 m antenna cable with SMA circular connector

Antenna - PSI-GSM/UMTS-QB-ANT - 2313371



GSM UMTS antenna, with omnidirectional characteristic, 2 m antenna cable with SMA round connector

Coaxial cable

Antenna cable - PSI-CAB-GSM/UMTS-10M - 2900981



GSM/UMTS antenna cable, 10 m long; SMA (male) -> SMA (female), 50 Ohm impedance

SMS relay - TC MOBILE I/O X200 AC - 2903806

Accessories

Antenna cable - PSI-CAB-GSM/UMTS- 5M - 2900980

GSM/UMTS antenna cable, 5 m long; SMA (male) -> SMA (female), 50 Ohm impedance



Power supply

Power supply unit - STEP-PS/ 1AC/24DC/0.75 - 2868635



Primary-switched STEP POWER power supply for DIN rail mounting, input: 1-phase, output: 24 V DC/0.75 A

Surge protection for transceiver systems

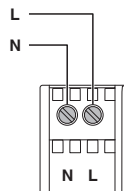
Surge protection device - CSMA-LAMBDA/4-2.0-BS-SET - 2800491



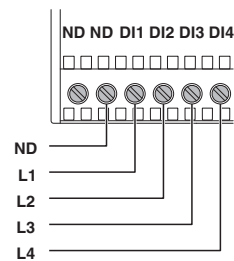
Attachment plug with Lambda/4 technology as surge protection for coaxial signal interfaces. Connection: Male/female SMA connectors.

Drawings

Connection diagram



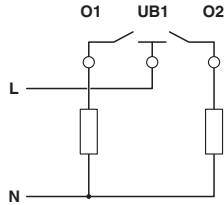
Connection diagram



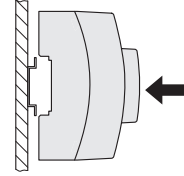
Connecting the supply voltage

SMS relay - TC MOBILE I/O X200 AC - 2903806

Connection diagram



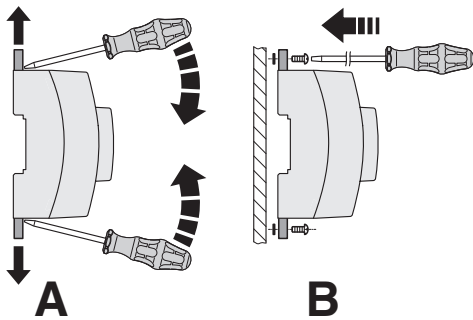
Schematic diagram



DIN rail mounting

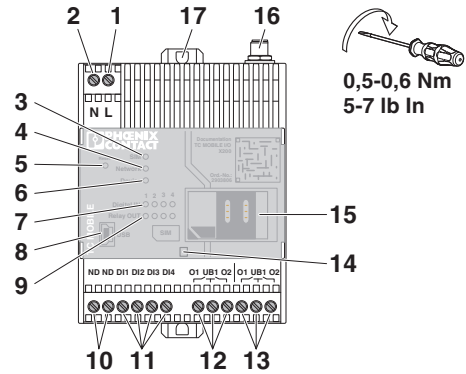
Floating relay contacts

Schematic diagram



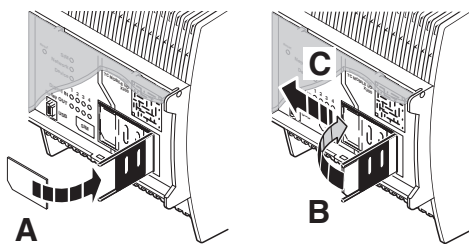
Wall mounting

Schematic diagram



Front view

Schematic diagram



Insert the SIM card

Feature photo



Figure may contain other products.

