

Power supply unit - QUINT-PS-3X400-500AC/24DC/40 - 2938646

Please be informed that the data shown in this PDF Document is generated from our Online Catalog. Please find the complete data in the user's documentation. Our General Terms of Use for Downloads are valid (<http://phoenixcontact.com/download>)



DIN rail power supply unit 24 V DC/40 A, primary switched-mode, 3-phase.

Product description

QUINT POWER is the powerful 60 - 960 W DC power supply unit for universal use. With its wide-range input, single and three-phase versions, and international approval package, this solution is unrivalled. QUINT POWER provides reliable power supply: generously dimensioned capacitors ensure mains buffering of over 20 ms at full load. Full output power is provided by all three-phase devices, even in the event of a permanent phase failure. The Power Boost power reserve easily starts loads with high inrush currents and ensures that fuses are reliably tripped. Preventive function monitoring diagnoses impermissible operating states and minimizes downtimes in your system. Remote monitoring is provided by an active transistor switching output and a floating relay contact. All devices are idling-proof and short-circuit-proof, and are available with a regulated and adjustable output voltage of 12, 24, and 48 V DC with output currents of 2.5, 5, 10, 20, 30, and 40 A. Power supply units for use in Ex zone 2, uninterruptible solutions, AS-i power supply units, and a QUINT diode complete this comprehensive product range.



Key commercial data

Packing unit	1 pc
Weight per Piece (excluding packing)	3940.0 GRM
Custom tariff number	85044030
Country of origin	Germany

Technical data

Dimensions

Width	240 mm
Height	130 mm
Depth	125 mm
Width with alternative assembly	122 mm
Height with alternative assembly	130 mm
Depth with alternative assembly	243 mm

Ambient conditions

Degree of protection	IP20
----------------------	------

Power supply unit - QUINT-PS-3X400-500AC/24DC/40 - 2938646

Technical data

Ambient conditions

Ambient temperature (operation)	-25 °C ... 70 °C (> 60 °C derating)
Ambient temperature (storage/transport)	-40 °C ... 85 °C
Max. permissible relative humidity (operation)	95 % (at 25 °C, non-condensing)
Noise immunity	EN 61000-6-2:2005

Input data

Nominal input voltage range	3x 400 V AC ... 500 V AC
Input voltage range	3x 320 V AC ... 575 V AC (for all three phases)
	450 V DC ... 800 V DC
AC frequency range	45 Hz ... 65 Hz
Frequency range DC	0 Hz
Current consumption	approx. 3x 2.8 A (400 V AC)
	approx. 3x 2.2 A (480 V AC)
Nominal power consumption	960 W
Inrush surge current	< 15 A (typical)
Power failure bypass	> 20 ms (400 V AC)
	> 20 ms (480 V AC)
Choice of suitable fuses	3x 6 A ... 16 A (Characteristics B, C, D, K)
Type of protection	Transient surge protection
Protective circuit/component	Varistor

Output data

Nominal output voltage	24 V DC \pm 1 %
Setting range of the output voltage	22.5 V ... 28.5 V (> 24 V constant capacity)
Output current	40 A (-25°C ... 70°C)
	45 A (with POWER BOOST, -25°C ... 40°C permanent)
Derating	60 °C (2.5%/K)
Connection in parallel	Yes, for redundancy and increased capacity
Connection in series	Yes
Max. capacitive load	Unlimited
Current limitation	Approx. $I_{BOOST} = 45$ A (for short-circuit)
Control deviation	< 1 % (change in load, static 10 % ... 90 %)
	< 2 % (change in load, dynamic 10 % ... 90 %)
	< 0.1 % (change in input voltage \pm 10 %)
Residual ripple	< 10 mV _{PP} (with nominal values)
Peak switching voltages nominal load	< 60 mV _{PP} (20 MHz)
Maximum power dissipation NO-Load	< 14 W
Power loss nominal load max.	< 80 W

Power supply unit - QUINT-PS-3X400-500AC/24DC/40 - 2938646

Technical data

General

Net weight	3.5 kg
Operating voltage display	Green LED
Efficiency	> 91 % (for 230 V AC and nominal values)
Insulation voltage input/output	4 kV AC (type test)
	2 kV AC (routine test)
Protection class	I (with PE connection)
MTBF (IEC 61709, SN 29500)	> 500000 h
Mounting position	horizontal DIN rail NS 35, EN 60715
Assembly instructions	Can be aligned: Horizontally 0 mm, vertically 50 mm
Electromagnetic compatibility	Conformance with EMC directive 89/336/EC
Noise emission	EN 50081-2
Standard – Electrical equipment of machines	EN 60204
Standard - Safety of transformers	EN 61558-2-17
Standard - Electrical safety	EN 60950-1/VDE 0805 (SELV)
	EN 61558-2-17
Shipbuilding approval	Germanischer Lloyd (EMC 2), ABS
Standard – Electronic equipment for use in electrical power installations and their assembly into electrical power installations	EN 50178/VDE 0160 (PELV)
Standard – Safety extra-low voltage	EN 60950-1 (SELV)
	EN 60204 (PELV)
Standard - Safe isolation	DIN VDE 0100-410
	DIN VDE 0106-1010
Standard – Protection against electric shock	DIN 57100-410
Standard – Protection against shock currents, basic requirements for protective separation in electrical equipment	DIN VDE 0106-101
Standard – Limitation of mains harmonic currents	EN 61000-3-2
Standard - Equipment safety	GS (tested safety)
Information technology equipment - safety (CB scheme)	CB Scheme
UL approvals	UL/C-UL listed UL 508
	UL/C-UL Recognized UL 60950
	UL/C-UL Listed UL 1604 Class I, Division 2, Groups A, B, C, D
Surge voltage category	III

Connection data, input

Connection method	Screw connection
Conductor cross section solid min.	0.2 mm ²
Conductor cross section solid max.	6 mm ²
Conductor cross section stranded min.	0.2 mm ²

Power supply unit - QUINT-PS-3X400-500AC/24DC/40 - 2938646

Technical data

Connection data, input

Conductor cross section stranded max.	4 mm ²
Conductor cross section AWG/kcmil min.	24
Conductor cross section AWG/kcmil max	10
Stripping length	8 mm
Screw thread	M3

Connection data, output

Connection method	Screw connection
Conductor cross section solid min.	0.5 mm ²
Conductor cross section solid max.	16 mm ²
Conductor cross section stranded min.	0.5 mm ²
Conductor cross section stranded max.	10 mm ²
Conductor cross section AWG/kcmil min.	20
Conductor cross section AWG/kcmil max	6
Stripping length	10 mm

Signaling

Output name	DC OK active
Output description	$U_{OUT} > 0.9 \times U_N$: High signal
Maximum switching voltage	≤ 24 V
Output voltage	+ 24 V DC (Signal)
Maximum inrush current	≤ 40 mA
Continuous load current	≤ 40 mA
Status display	"DC OK" LED green
Note on status display	$U_{OUT} < 0.9 \times U_N$: LED flashing
Conductor cross section solid min.	0.5 mm ²
Conductor cross section solid max.	16 mm ²
Conductor cross section stranded min.	0.5 mm ²
Conductor cross section stranded max.	10 mm ²
Conductor cross section AWG/kcmil min.	20
Conductor cross section AWG/kcmil max	6
Tightening torque, min	1.2 Nm
Tightening torque max	1.5 Nm
Screw thread	M4
Output name	DC OK floating
Output description	Relay contact, $U_{OUT} > 0.9 \times U_N$: Contact closed
Maximum switching voltage	≤ 30 V AC/DC
Maximum inrush current	≤ 1 A

Power supply unit - QUINT-PS-3X400-500AC/24DC/40 - 2938646

Technical data

Signaling

Continuous load current	≤ 1 A
Status display	"DC OK" LED green

Classifications

eCl@ss

eCl@ss 4.0	27040702
eCl@ss 4.1	27040702
eCl@ss 5.0	27049002
eCl@ss 5.1	27049002
eCl@ss 6.0	27049002
eCl@ss 7.0	27049002
eCl@ss 8.0	27049002

ETIM

ETIM 2.0	EC001039
ETIM 3.0	EC001039
ETIM 4.0	EC000599
ETIM 5.0	EC002540

UNSPSC

UNSPSC 6.01	30211502
UNSPSC 7.0901	39121004
UNSPSC 11	39121004
UNSPSC 12.01	39121004
UNSPSC 13.2	39121004

Approvals

Approvals

Approvals

UL Recognized / UL Listed / cUL Recognized / GOST / cUL Listed / GL / DNV / IECCEB Scheme / SEMI F47 / cUL Listed / cULus Recognized / cULus Listed / cULus Listed / cULus Listed / null / null / null / null

Ex Approvals

UL Listed / cUL Listed / cUL Listed / cULus Listed / cULus Listed

Power supply unit - QUINT-PS-3X400-500AC/24DC/40 - 2938646


Approvals


Approvals submitted


Approval details

UL Recognized 

UL Listed 


cUL Recognized 

GOST 


cUL Listed 

GL

DNV


IECEE CB Scheme 

SEMI F47

cUL Listed 

Power supply unit - QUINT-PS-3X400-500AC/24DC/40 - 2938646

Approvals

cULus Recognized 

cULus Listed 

cULus Listed 

cULus Listed



Accessories

Accessories

Assembly adapter

Assembly adapters - UWA 182/52 - 2938235



Universal wall adapter

Mounting rail adapter

Power supply unit - QUINT-PS-3X400-500AC/24DC/40 - 2938646

Accessories

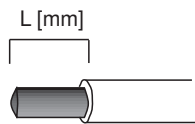
Assembly adapters - UTA 107 - 2853983

Universal DIN rail adapter

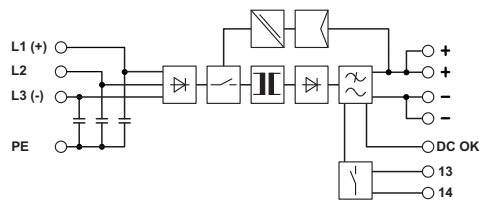


Drawings

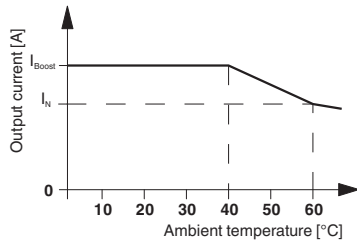
Dimensioned drawing



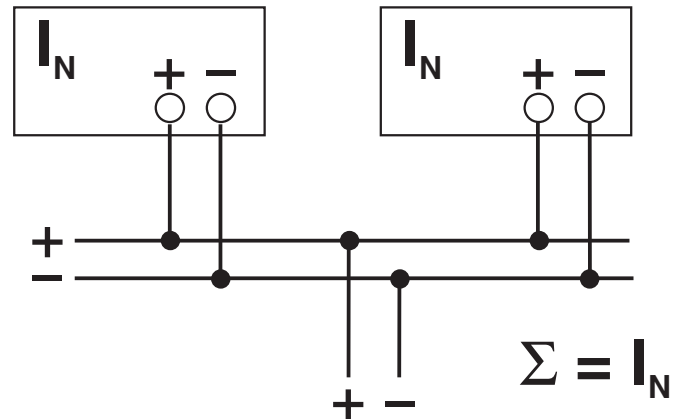
Block diagram



Diagram

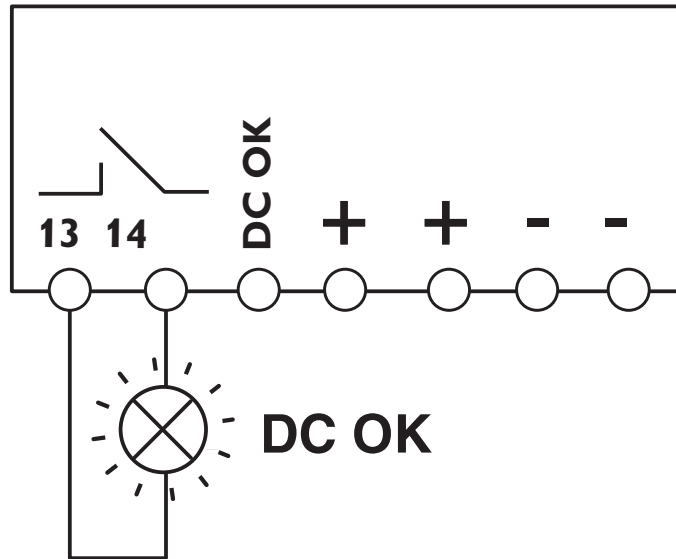


Circuit diagram



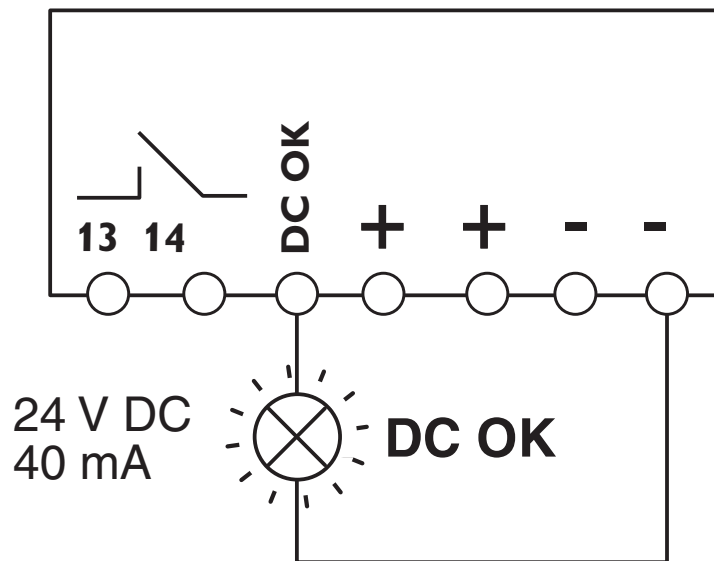
Power supply unit - QUINT-PS-3X400-500AC/24DC/40 - 2938646

Circuit diagram



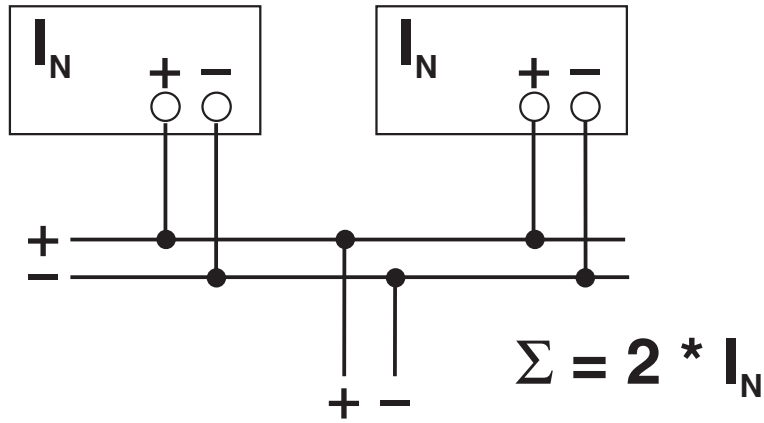
max.
30 VAC/DC, 1A

Circuit diagram

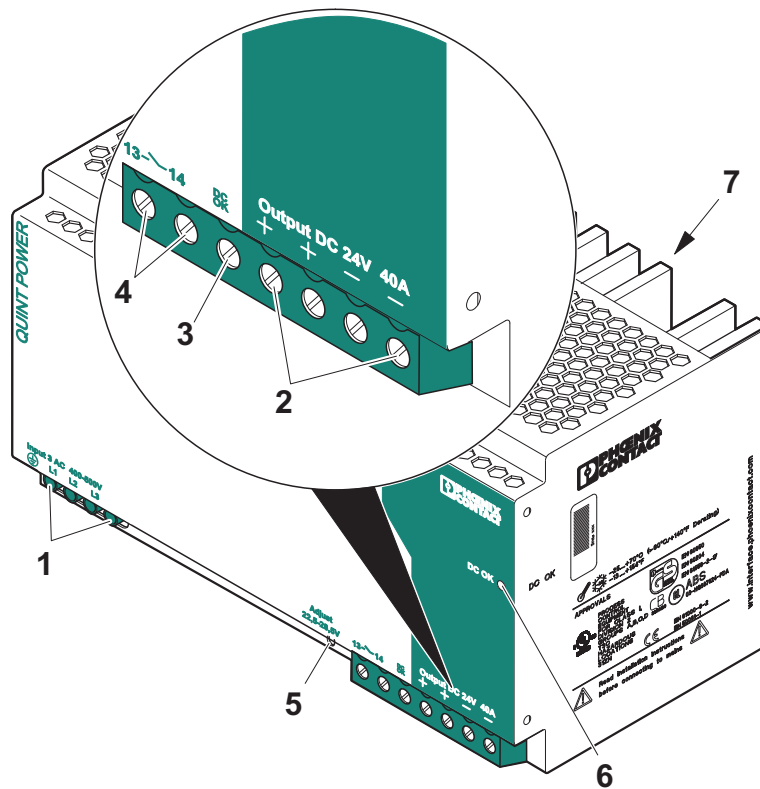


Power supply unit - QUINT-PS-3X400-500AC/24DC/40 - 2938646

Circuit diagram

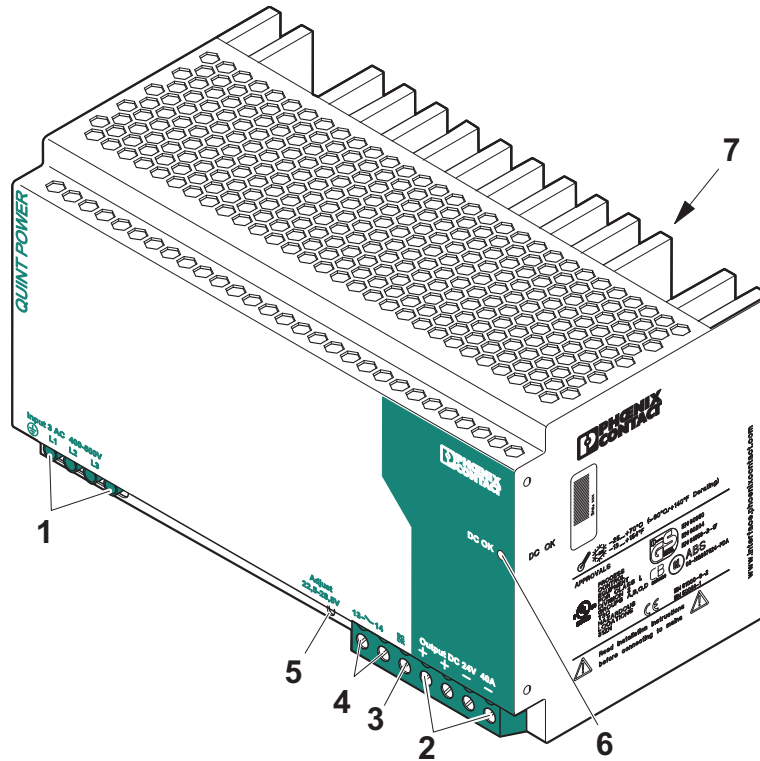


Product drawing

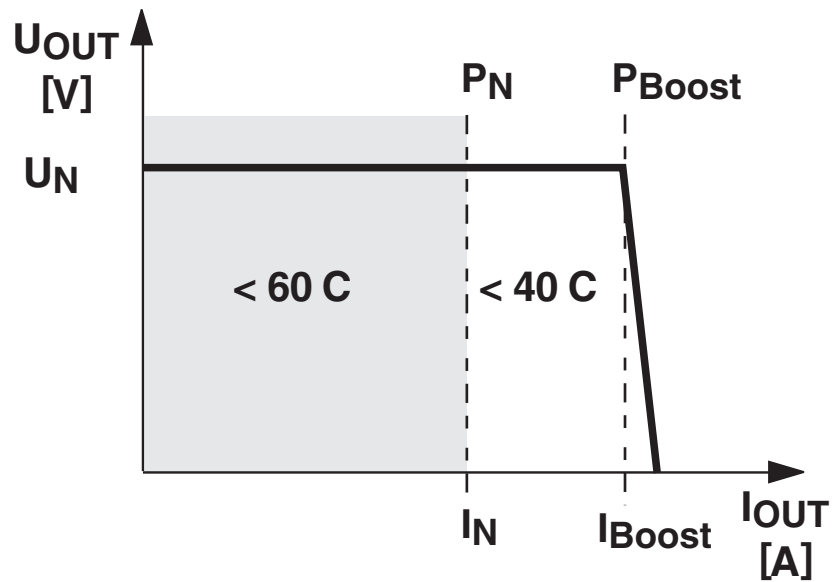


Power supply unit - QUINT-PS-3X400-500AC/24DC/40 - 2938646

Product drawing

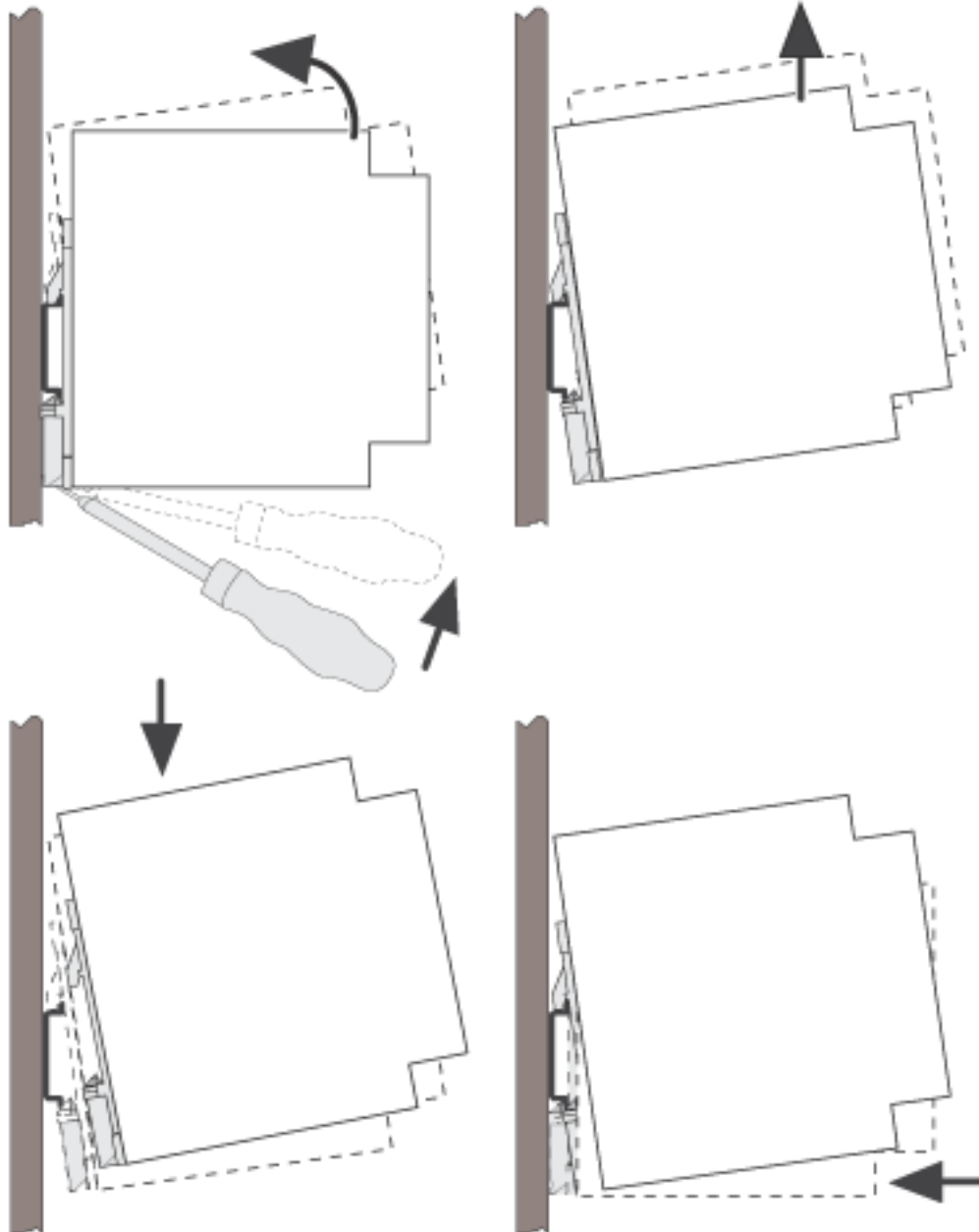


Diagram



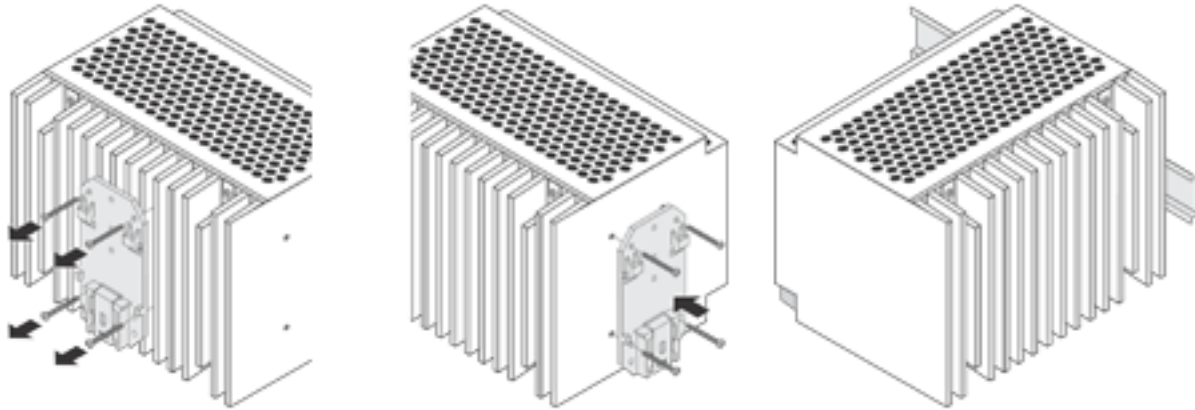
Power supply unit - QUINT-PS-3X400-500AC/24DC/40 - 2938646

Schematic diagram

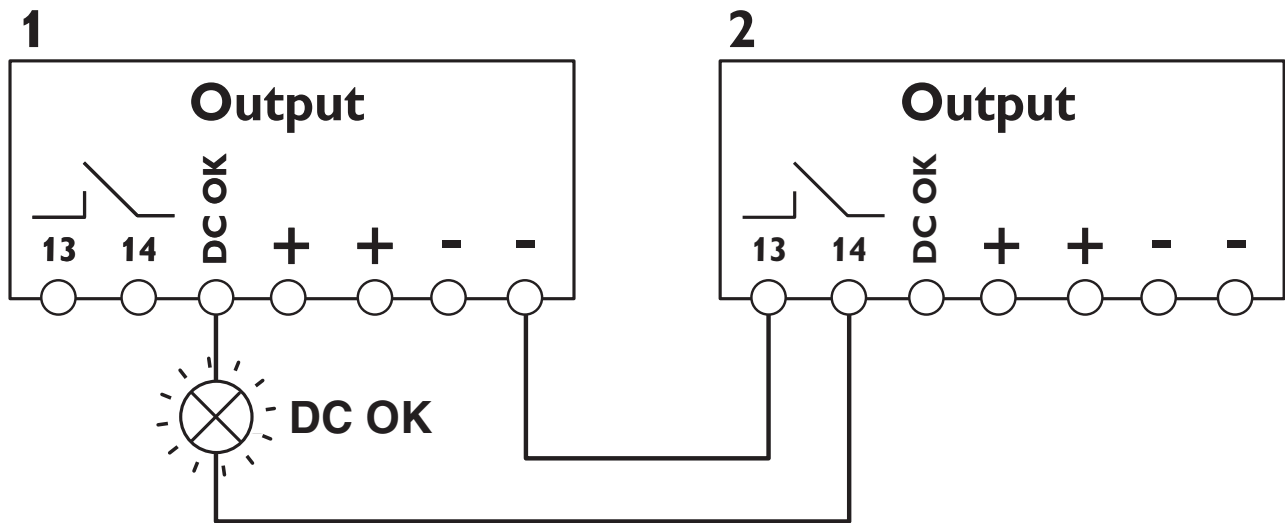


Power supply unit - QUINT-PS-3X400-500AC/24DC/40 - 2938646

Schematic diagram

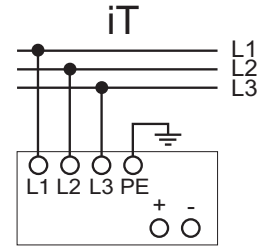
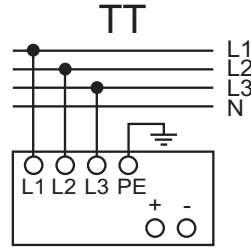
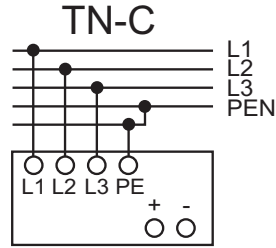
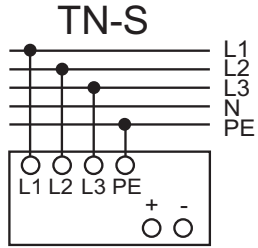


Circuit diagram



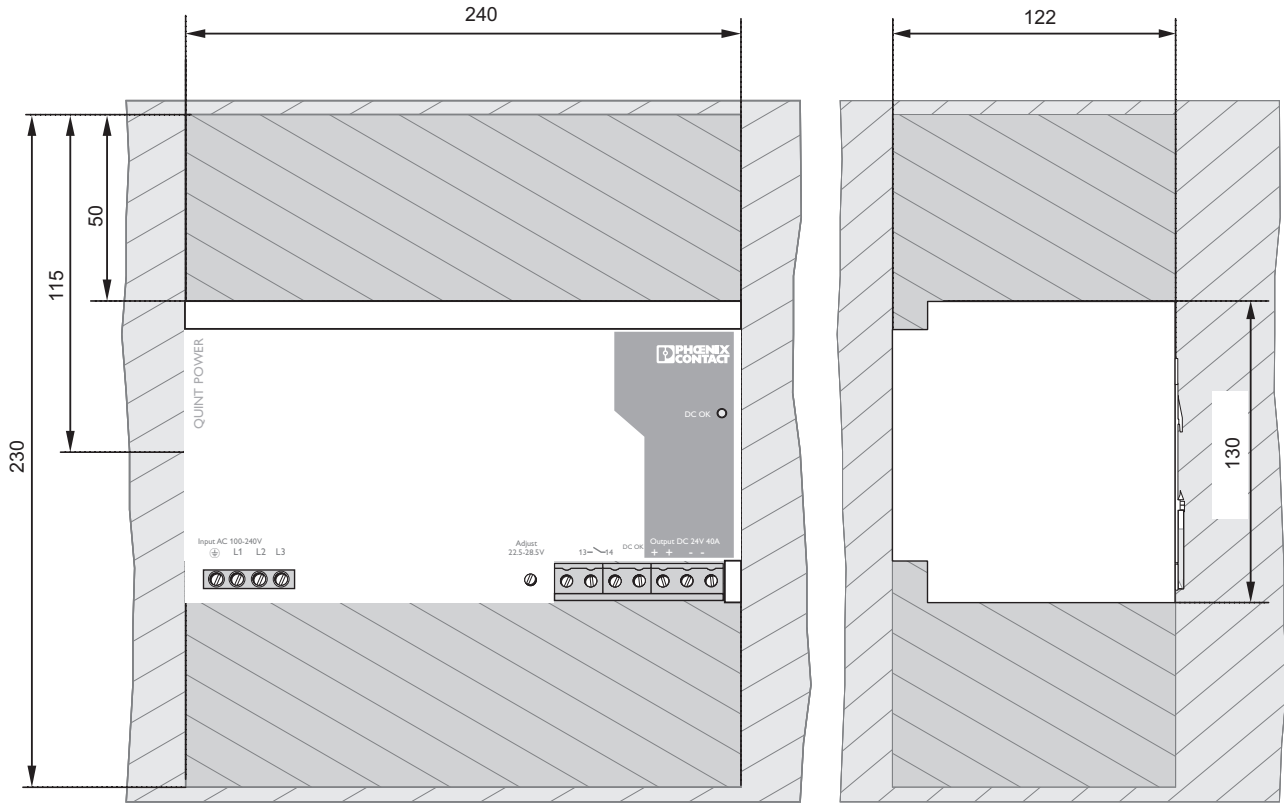
Power supply unit - QUINT-PS-3X400-500AC/24DC/40 - 2938646

Connection diagram



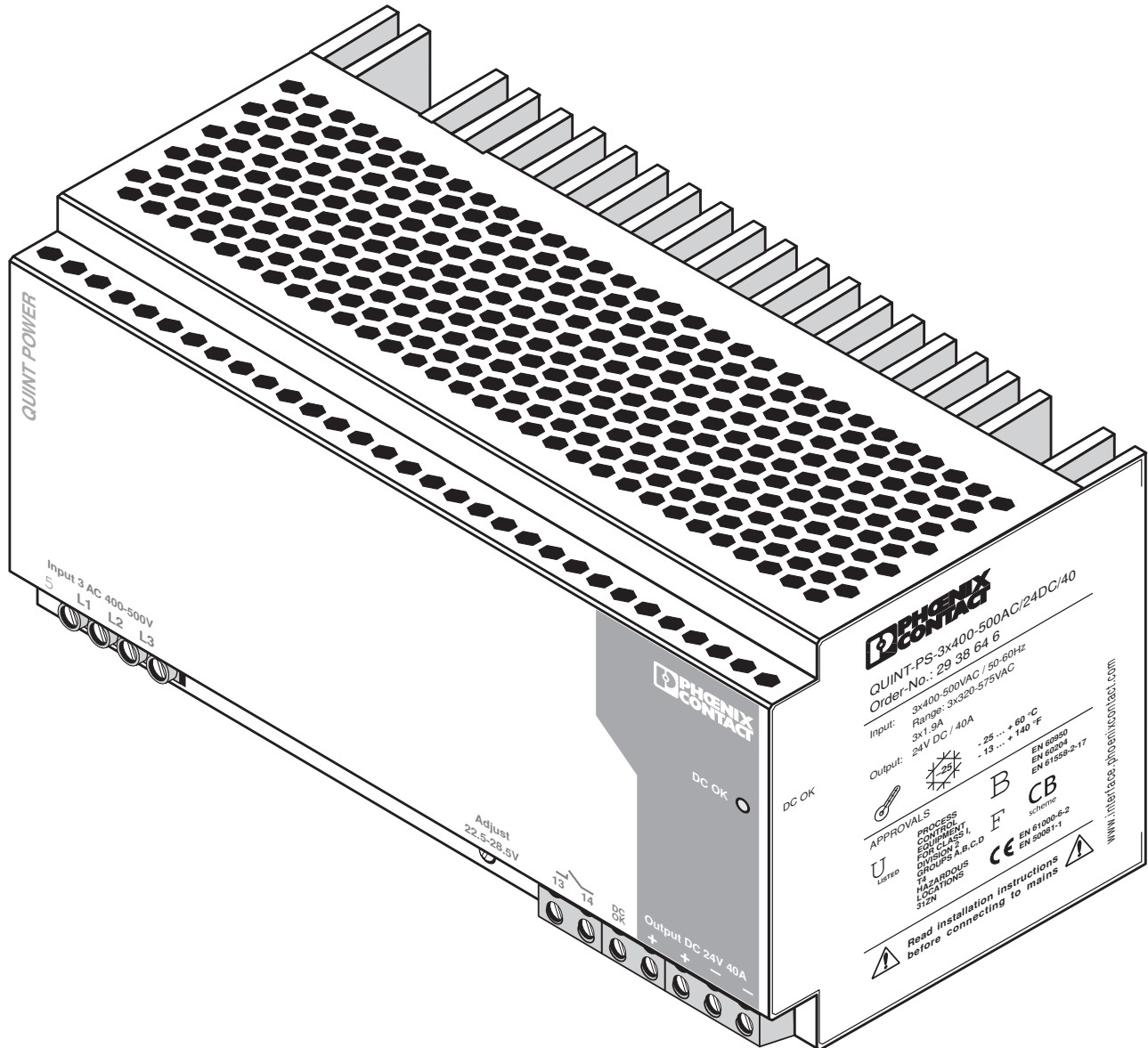
Power supply unit - QUINT-PS-3X400-500AC/24DC/40 - 2938646

Dimensioned drawing



Power supply unit - QUINT-PS-3X400-500AC/24DC/40 - 2938646

Product drawing



Power supply unit - QUINT-PS-3X400-500AC/24DC/40 - 2938646

Schematic diagram

