

Front adapters - FLKM S135/S7/FLK50/PLC - 2314736

Please be informed that the data shown in this PDF Document is generated from our Online Catalog. Please find the complete data in the user's documentation. Our General Terms of Use for Downloads are valid (<http://phoenixcontact.com/download>)



Converter for SIMATIC® S5-135 on 50- pos. FLK strip over which an S7 control can be coupled. Conversion: 6ES5 420-4UA14 / 6ES5 430-4UA14 on 6ES7 321-1BL00-0AA0 or 6ES5 441-4UA14 / 6ES5 451-4UA14 on 6ES7 322-1BL00-0AA0



Key commercial data

Packing unit	1 pc
Weight per Piece (excluding packing)	253.6 GRM
Custom tariff number	85366990
Country of origin	Germany

Technical data

General

Nominal voltage U_N	50 V AC/DC
Max. permissible current	1 A (per path)
Connection type, connector	IDC/FLK pin strip (2.54 mm)
Number of connectors	1
No. of positions, connector	50
Mounting position	any
Standards/regulations	DIN EN 50178
	IEC 62103
Rated surge voltage / insulation	0.5 kV / basic insulation
Rated insulation voltage	50 V
Pollution degree	2
Surge voltage category	II
Nominal operating mode	100% operating factor

Ambient conditions

Ambient temperature (operation)	-20 °C ... 50 °C
---------------------------------	------------------

Front adapters - FLKM S135/S7/FLK50/PLC - 2314736

Technical data

Ambient conditions

Ambient temperature (storage/transport)	-20 °C ... 70 °C
Degree of protection	IP20

Supported controller

Controller	SIEMENS S5-135 U
- suitable I/O card	6ES5 420-4UA14
	6ES5 430-4UA14
	6ES5 441-4UA14
	6ES5 451-4UA14

Classifications

eCl@ss

eCl@ss 4.0	27250313
eCl@ss 4.1	27250313
eCl@ss 5.0	27250313
eCl@ss 5.1	27250313
eCl@ss 6.0	27249205
eCl@ss 7.0	27249205
eCl@ss 8.0	27249205

ETIM

ETIM 2.0	EC000237
ETIM 3.0	EC000237
ETIM 4.0	EC000237
ETIM 5.0	EC002584

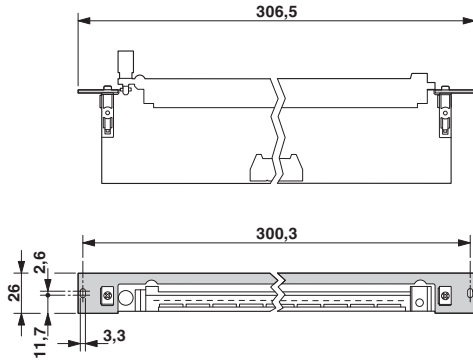
UNSPSC

UNSPSC 6.01	30211824
UNSPSC 7.0901	39121421
UNSPSC 11	39121421
UNSPSC 12.01	39121421
UNSPSC 13.2	39121421

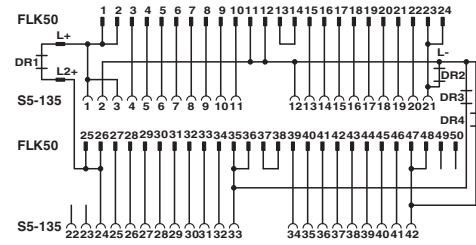
Drawings

Front adapters - FLKM S135/S7/FLK50/PLC - 2314736

Dimensioned drawing



Circuit diagram



FLKM S135/S7/FLK50/PLC connection scheme