

Surge protection device - C-TV-SAT - 2856993

Please be informed that the data shown in this PDF Document is generated from our Online Catalog. Please find the complete data in the user's documentation. Our General Terms of Use for Downloads are valid (<http://phoenixcontact.com/download>)



Attachment plug with surge protection for antenna inputs with F connector

Product Features

- Protective adapter for antenna connections
- TV or F connector
- Use on broadband cable or SAT connection



Key commercial data

| | |
|--------------------------------------|----------|
| Packing unit | 1 pc |
| Weight per Piece (excluding packing) | 68.9 GRM |
| Custom tariff number | 85363010 |
| Country of origin | Germany |

Technical data

Dimensions

| | |
|--------|-------|
| Height | 44 mm |
| Width | 28 mm |
| Depth | 66 mm |

Ambient conditions

| | |
|---------------------------------|------------------|
| Ambient temperature (operation) | -25 °C ... 75 °C |
| Degree of protection | IP20 |

General

| | |
|--|----------------|
| Housing material | PA |
| Inflammability class according to UL 94 | V0 |
| Color | black |
| Standards for air and creepage distances | DIN VDE 0110-1 |

Surge protection device - C-TV-SAT - 2856993

Technical data

General

| | |
|------------------------|---|
| | IEC 60664-1 |
| Surge voltage category | II |
| Pollution degree | 2 |
| Mounting type | Connection-specific intermediate plugging |
| Type | Attachment plug |
| Number of positions | 1 |
| Direction of action | Line-Shield/Earth Ground |

Protective circuit

| | |
|---|---------------------------------------|
| IEC test classification | C1 |
| | C2 |
| | C3 |
| | D1 |
| Maximum continuous operating voltage U_C | 180 V DC |
| | 130 V AC |
| Maximum continuous voltage U_C (wire-shield) | 180 V DC |
| Nominal current I_N | 1.5 A (25 °C) |
| Operating effective current I_C at U_C | $\leq 1 \mu\text{A}$ |
| Nominal discharge current I_n (8/20) μs (Core-Shield) | 2.5 kA |
| Total surge current (8/20) μs | 2.5 kA |
| Nominal pulse current I_{an} (10/1000) μs (Core-Shield) | 120 A |
| Output voltage limitation at 1 kV/ μs (Core-Shield) spike | $\leq 600 \text{ V}$ |
| Output voltage limitation at 1 kV/ μs (Core-Shield) static | $\leq 600 \text{ V}$ |
| Residual voltage at I_n , (conductor-shield) | $\leq 30 \text{ V}$ |
| Voltage protection level U_p (Core-Shield) | $\leq 700 \text{ V}$ (C2 (4 kV/2 kA)) |
| Response time t_A (Core-GND) | $\leq 100 \text{ ns}$ |
| Input attenuation a_E , asym. | 0.5 dB ($\leq 2.4 \text{ GHz}$) |
| Cut-off frequency f_g (3 dB), asym. (shield) in 75 Ohm system | $> 3 \text{ GHz}$ |
| Frequency range | 4.7 MHz ... 2.5 GHz |
| Capacity asymmetrical (shield) | typ. 10 pF |
| Surge current resistance (conductor-shield) | C2 (4 kV / 2 kA) |
| | C3 (100 A) |
| | D1 (500 A) |
| Alternating current carrying capacity (conductor-shield) | 5 A - 1 s |

Connection data

| | |
|--------------------|---------------------|
| Connection method | F connector |
| Connection type IN | F connector, female |

Surge protection device - C-TV-SAT - 2856993

Technical data

Connection data

| | |
|---------------------|---------------------|
| Connection type OUT | F connector, female |
|---------------------|---------------------|

Standards and Regulations

| | |
|-----------------------|--------------------|
| Standards/regulations | IEC 61643-21 |
| | EN 50083 - CLASS A |

Classifications

eCl@ss

| | |
|------------|----------|
| eCl@ss 4.0 | 27140201 |
| eCl@ss 4.1 | 27130801 |
| eCl@ss 5.0 | 27130801 |
| eCl@ss 5.1 | 27130801 |
| eCl@ss 6.0 | 27130807 |
| eCl@ss 7.0 | 27130807 |
| eCl@ss 8.0 | 27130807 |

ETIM

| | |
|----------|----------|
| ETIM 2.0 | EC000943 |
| ETIM 3.0 | EC000943 |
| ETIM 4.0 | EC000943 |
| ETIM 5.0 | EC000943 |

UNSPSC

| | |
|---------------|----------|
| UNSPSC 6.01 | 30212010 |
| UNSPSC 7.0901 | 39121610 |
| UNSPSC 11 | 39121610 |
| UNSPSC 12.01 | 39121610 |
| UNSPSC 13.2 | 39121620 |

Approvals

Approvals

Approvals

GOST

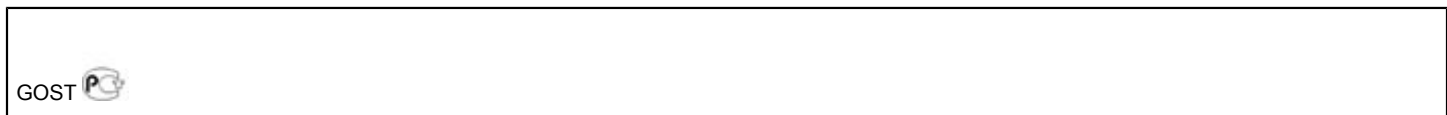
Surge protection device - C-TV-SAT - 2856993

Approvals

Ex Approvals

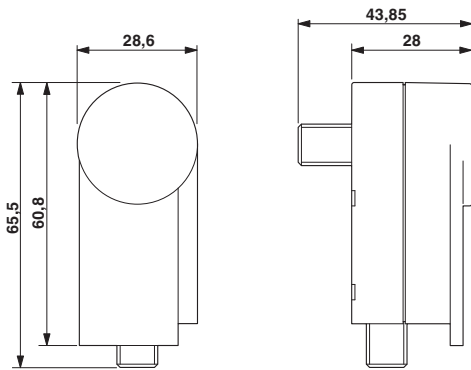
Approvals submitted

Approval details

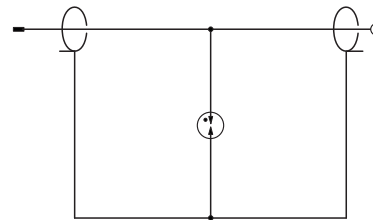


Drawings

Dimensioned drawing



Circuit diagram



Surge protection device - C-TV-SAT - 2856993

Catalog photo



Figure may contain other products.

Phoenix Contact 2014 © - all rights reserved
<http://www.phoenixcontact.com>