

Cable gland - HC-K-KV-M25(11-17) - 1690639

Please be informed that the data shown in this PDF Document is generated from our Online Catalog. Please find the complete data in the user's documentation. Our General Terms of Use for Downloads are valid (<http://phoenixcontact.com/download>)



Plastic screw connection up to 5 bar, thread length: 8 mm, cable diameter: 11 - 17 mm, WAF 29, screw connection: M25

The illustration shows version HC-K-KV-M20



Key commercial data

| | |
|--------------------------------------|------------|
| Packing unit | 1 pc |
| Weight per Piece (excluding packing) | 15.452 GRM |
| Custom tariff number | 39269097 |
| Country of origin | Germany |

Technical data

Dimensions

| | |
|---------------------------------|-----------------|
| Wrench size, union nut | 29 mm |
| Wrench size, support | 29 mm |
| Length of the connecting thread | 8 mm |
| External cable diameter | 11 mm ... 17 mm |

Ambient conditions

| | |
|---------------------------------|--------------------|
| Degree of protection | IP68, to 5 bar |
| | IP68 (Up to 5 bar) |
| Ambient temperature (operation) | -20 °C ... 100 °C |

General

| | |
|------------------------------|-----------|
| Type of the screw connection | M25 |
| Cable gland material | Polyamide |
| Seal material | Neoprene |
| Cable seal material | Neoprene |
| Shielded | No |

Cable gland - HC-K-KV-M25(11-17) - 1690639

Technical data

General

| | |
|---|-------------|
| Thread type on connection side | M25 |
| Tightening torque, union nut | 5.00 Nm |
| Inflammability class according to UL 94 | V2 |
| Color | silver gray |

Classifications

eCl@ss

| | |
|------------|----------|
| eCl@ss 4.0 | 27141209 |
| eCl@ss 4.1 | 27141209 |
| eCl@ss 5.0 | 27149109 |
| eCl@ss 5.1 | 27149109 |
| eCl@ss 6.0 | 27149109 |
| eCl@ss 7.0 | 27149109 |
| eCl@ss 8.0 | 27149109 |

ETIM

| | |
|----------|----------|
| ETIM 2.0 | EC000441 |
| ETIM 3.0 | EC000441 |
| ETIM 4.0 | EC000441 |
| ETIM 5.0 | EC000441 |

UNSPSC

| | |
|---------------|----------|
| UNSPSC 6.01 | 31261502 |
| UNSPSC 7.0901 | 31261502 |
| UNSPSC 11 | 31261502 |
| UNSPSC 12.01 | 31261502 |
| UNSPSC 13.2 | 31261502 |

Approvals

Approvals

Approvals

GOST

Ex Approvals

Cable gland - HC-K-KV-M25(11-17) - 1690639

Approvals

Approvals submitted

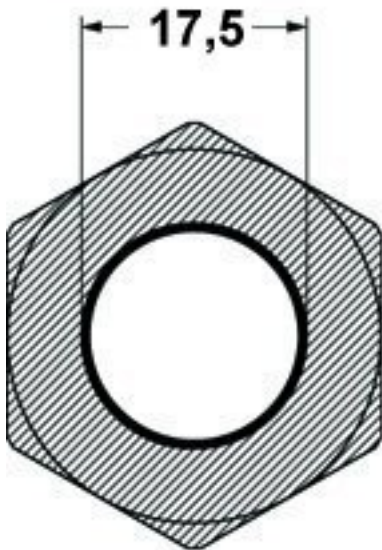
Approval details



Drawings

Catalog photo

Figure may contain other products.



Dimensioned drawing

