

Surge protection device - D-UFB-PB - 2880642

Please be informed that the data shown in this PDF Document is generated from our Online Catalog. Please find the complete data in the user's documentation. Our General Terms of Use for Downloads are valid (<http://phoenixcontact.com/download>)

Fine surge protection in a 9-pos. D-SUB plug for PROFIBUS-DP applications with a transmission speed of up to 12 Mbps.



Product Features

- Integrated termination resistor
- Data transmission speed up to 12 Mbps
- Direct use at the interface



Key commercial data

Packing unit	1 pc
Weight per Piece (excluding packing)	49.6 GRM
Custom tariff number	85363010
Country of origin	Germany

Technical data

Dimensions

Height	58 mm
Width	44.5 mm
Depth	16.6 mm

Ambient conditions

Ambient temperature (operation)	-20 °C ... 75 °C
Ambient temperature (storage/transport)	-20 °C ... 75 °C
Degree of protection	IP40

General

Housing material	ABS, metal-plated
Color	silver
Standards for air and creepage distances	IEC 60664-1

Surge protection device - D-UFB-PB - 2880642

Technical data

General

	DIN VDE 0110-1
Surge voltage category	II
Pollution degree	2
Mounting type	Direct assembly on the device interface
Type	Connecting plug
Number of positions	4
Direction of action	Line-Line & Line-Earth Ground

Protective circuit

IEC test classification	C1
	C3
	B2
VDE requirement class	C1
	C3
	B2
Maximum continuous operating voltage U_C	5.2 V DC
Maximum continuous voltage U_C (wire-wire)	5.2 V DC
Maximum continuous voltage U_C (wire-ground)	5.2 V DC
Nominal current I_N	250 mA (25 °C)
Operating effective current I_C at U_C	$\leq 100 \mu\text{A}$
Residual current I_{PE}	$\leq 100 \mu\text{A}$
Nominal discharge current I_n (8/20) μs (Core-Core)	350 A
Nominal discharge current I_n (8/20) μs (Core-Earth)	350 A
Total surge current (8/20) μs	350 A
Max. discharge current I_{max} (8/20) μs maximum (Core-Core)	350 A
Max. discharge current I_{max} (8/20) μs maximum (Core-Earth)	350 A
Output voltage limitation at 1 kV/ μs (Core-Core) spike	$\leq 20 \text{ V}$
Output voltage limitation at 1 kV/ μs (Core-Earth) spike	$\leq 20 \text{ V}$
Output voltage limitation at 1 kV/ μs (Core-Core) static	$\leq 14 \text{ V}$
Output voltage limitation at 1 kV/ μs (Core-Earth) static	$\leq 14 \text{ V}$
Output voltage limitation (10/700) μs (Core-Core)	$\leq 15 \text{ V}$ ($U_o=4 \text{ kV}$)
Output voltage limitation (10/700) μs (Core-Earth)	$\leq 15 \text{ V}$ ($U_o=4 \text{ kV}$)
Residual voltage at I_n , (conductor-conductor)	$\leq 25 \text{ V}$
Residual voltage at I_n , (conductor-ground)	$\leq 25 \text{ V}$
Voltage protection level U_p (Core-Core)	$\leq 25 \text{ V}$ (C1 (500 V/250 A))
	$\leq 15 \text{ V}$ (C3 - 25 A)
	$\leq 15 \text{ V}$ (B2 (4 kV/100 A))

Surge protection device - D-UFB-PB - 2880642

Technical data

Protective circuit

Voltage protection level U_p (Core-Earth)	≤ 25 V (C1 (500 V/250 A))
	≤ 15 V (C3 - 25 A)
	≤ 15 V (B2 (4 kV/100 A))
Response time t_A (Core-Core)	≤ 500 ns
Response time t_A (Core-Earth)	≤ 500 ns
Cut-off frequency f_g (3 dB), sym. in 100 Ohm system	typ. 70 MHz
Inductivity in series	0.11 μ H
Surge current resistance (conductor-conductor)	C1 - 500 V / 250 A
	C3 - 2 kV/25 A
Surge current resistance (conductor-ground)	C1 (500 A/250 A)
	C3 - 2 kV/25 A

Connection data

Connection method	Screw connection & D-SUB-9
Connection type IN	Screw terminal blocks
Connection type OUT	D-SUB-9 connector
Connection method	2-wire (shielded)
Screw thread	M2
Tightening torque	0.25 Nm
Stripping length	5 mm
Conductor cross section stranded min.	0.14 mm ²
Conductor cross section stranded max.	1.5 mm ²
Conductor cross section solid min.	0.14 mm ²
Conductor cross section solid max.	1.5 mm ²
Conductor cross section AWG/kcmil min.	26
Conductor cross section AWG/kcmil max	16

Connection, equipotential bonding

Connection method	PVC Litz wire, 1.0 mm ² , 0.5 m length
-------------------	---

Standards and Regulations

Standards/regulations	IEC 61643-21
	DIN EN 61643-21

Classifications

eCl@ss

eCl@ss 4.0	27140201
eCl@ss 4.1	27130801

Surge protection device - D-UFB-PB - 2880642

Classifications

eCl@ss

eCl@ss 5.0	27130801
eCl@ss 5.1	27130801
eCl@ss 6.0	27130807
eCl@ss 7.0	27130807
eCl@ss 8.0	27130807

ETIM

ETIM 2.0	EC000943
ETIM 3.0	EC000943
ETIM 4.0	EC000943
ETIM 5.0	EC000943

UNSPSC

UNSPSC 6.01	30212010
UNSPSC 7.0901	39121610
UNSPSC 11	39121610
UNSPSC 12.01	39121610
UNSPSC 13.2	39121620

Approvals

Approvals


Approvals

GOST / UL Listed / GOST

Ex Approvals

Approvals submitted

Approval details

GOST 
--

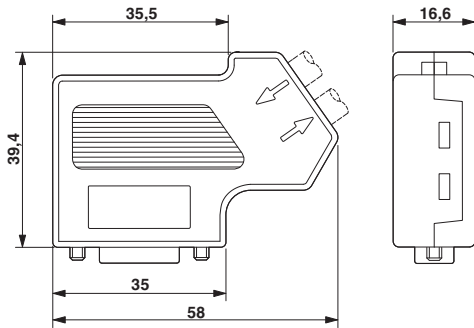
Surge protection device - D-UFB-PB - 2880642

Approvals

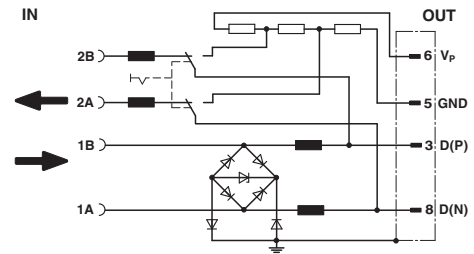


Drawings

Dimensioned drawing



Circuit diagram



Dimensional drawing: D-UFB-PB