

## Socket - EM-DUO 120/15 - 5600461

Please be informed that the data shown in this PDF Document is generated from our Online Catalog. Please find the complete data in the user's documentation. Our General Terms of Use for Downloads are valid (<http://phoenixcontact.com/download>)



Rail-mounted dual socket for mounting on 35 mm DIN rail per EN 60715. Housing color: ivory. National version: USA. Connection type: screw.



### Key commercial data

Packing unit	1 pc
Weight per Piece (excluding packing)	245.6 GRM
Custom tariff number	85366990
Country of origin	United States

### Technical data

#### Dimensions

Width	83 mm
Height	134 mm
Depth	49 mm

#### Ambient conditions

Ambient temperature (operation)	-20 °C ... 50 °C
---------------------------------	------------------

#### General

Nominal voltage $U_N$	125 V AC
Nominal current $I_N$	15 A
For country-specific use in	USA
	Canada
	China
	Japan

# Socket - EM-DUO 120/15 - 5600461

## Technical data

### General

	Mexico
	Peru
	Saudi Arabia
	Taiwan
	Thailand
	Phillipines
	Venezuela
	Vietnam
Color	ivory
Insulating material	PVC 94 V0
Standards/regulations	UL 508
	CSA 22.2

### Connection data

Conductor cross section solid min.	0.2 mm <sup>2</sup>
Conductor cross section solid max.	6 mm <sup>2</sup>
Conductor cross section stranded min.	0.2 mm <sup>2</sup>
Conductor cross section stranded max.	4 mm <sup>2</sup>
Conductor cross section AWG/kcmil min.	30
Conductor cross section AWG/kcmil max	10
Connection method	Screw connection
Stripping length	8 mm
Screw thread	M3

## Classifications

### eCl@ss

eCl@ss 4.0	27142305
eCl@ss 4.1	27142305
eCl@ss 5.0	27143412
eCl@ss 5.1	27143412
eCl@ss 6.0	27143412
eCl@ss 7.0	27440519
eCl@ss 8.0	27440519

### ETIM

ETIM 2.0	EC001325
ETIM 3.0	EC001325

# Socket - EM-DUO 120/15 - 5600461

## Classifications

### ETIM

ETIM 4.0	EC001663
ETIM 5.0	EC001663

### UNSPSC

UNSPSC 6.01	30211806
UNSPSC 7.0901	39121406
UNSPSC 11	39121406
UNSPSC 12.01	39121406
UNSPSC 13.2	39121406

## Approvals

### Approvals

#### Approvals

UL Listed / cUL Listed / cUL Listed / cULus Listed / cULus Listed / cULus Listed / null / null / null / null

#### Ex Approvals

#### Approvals submitted

## Approval details

UL Listed	
mm <sup>2</sup> /AWG/kcmil	30-10
Nominal current I <sub>N</sub>	15 A
Nominal voltage U <sub>N</sub>	125 V

cUL Listed	
mm <sup>2</sup> /AWG/kcmil	30-10

# Socket - EM-DUO 120/15 - 5600461

## Approvals

Nominal current IN	15 A
Nominal voltage UN	125 V

cUL Listed	
mm <sup>2</sup> /AWG/kcmil	30-10
Nominal current IN	15 A
Nominal voltage UN	125 V

cULus Listed	
--------------	--

cULus Listed	
--------------	--

cULus Listed	
--------------	--

--	--

--	--

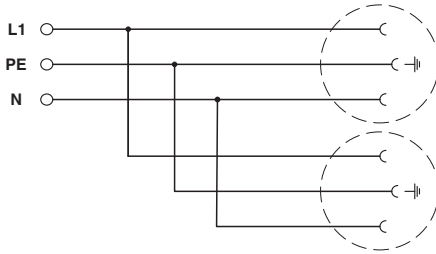
--	--

--	--

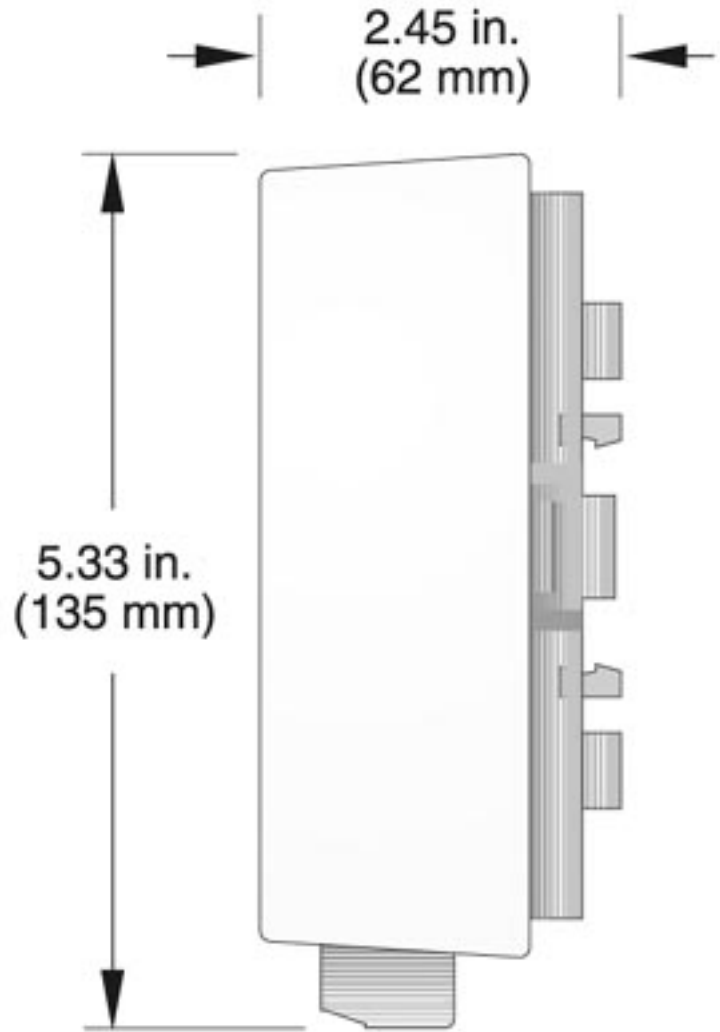
## Drawings

# Socket - EM-DUO 120/15 - 5600461

Circuit diagram



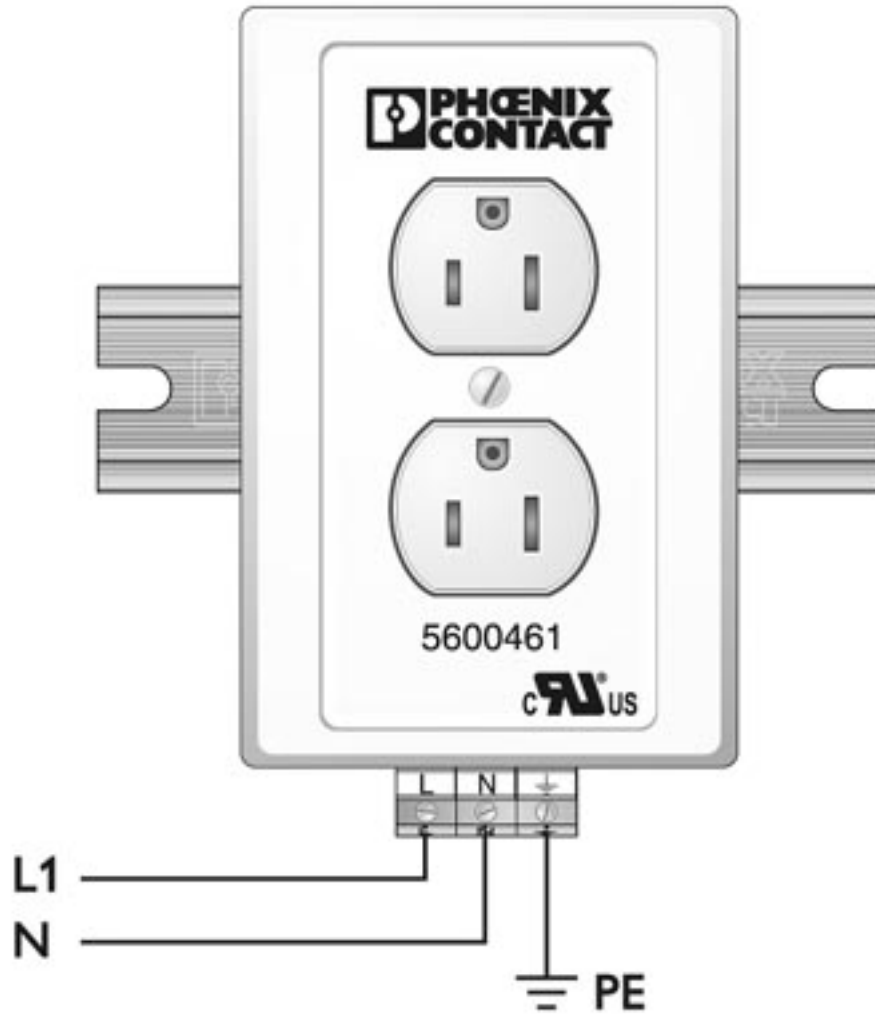
Dimensioned drawing



Side view

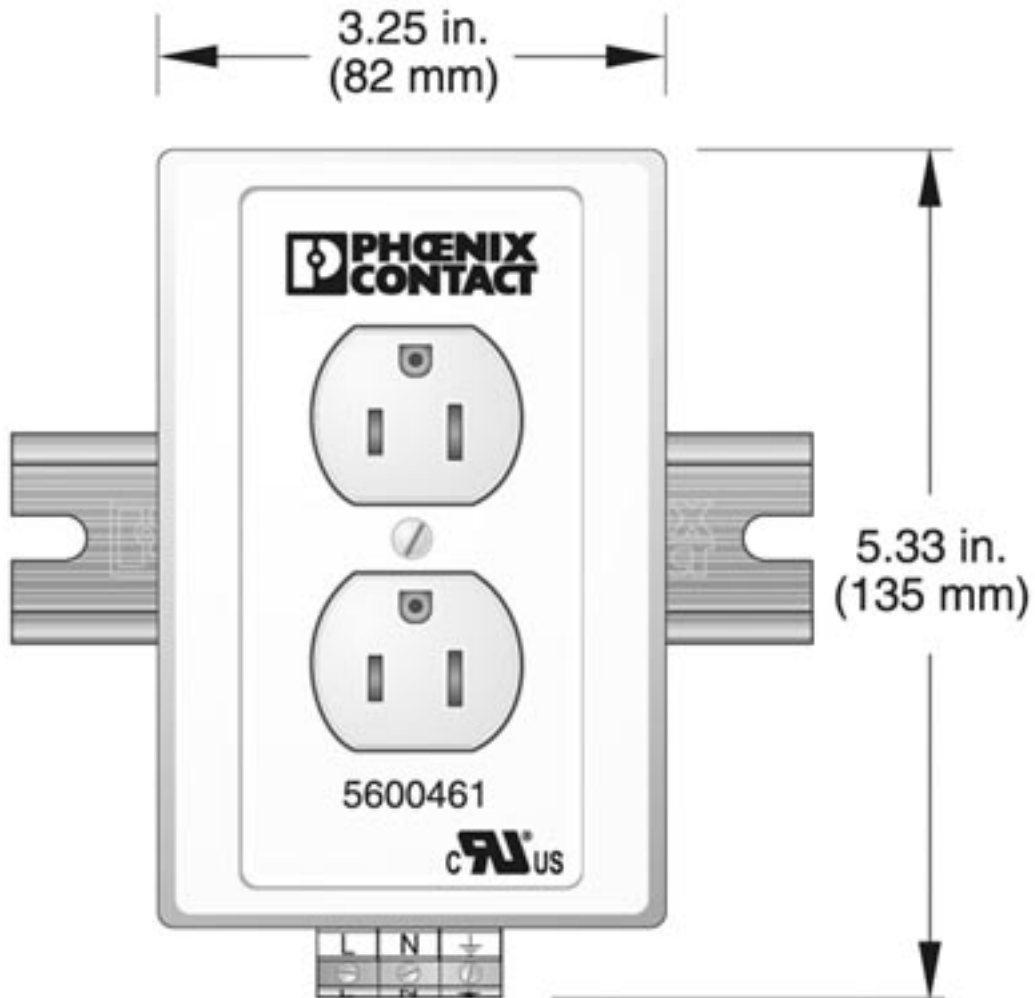
# Socket - EM-DUO 120/15 - 5600461

Connection diagram



# Socket - EM-DUO 120/15 - 5600461

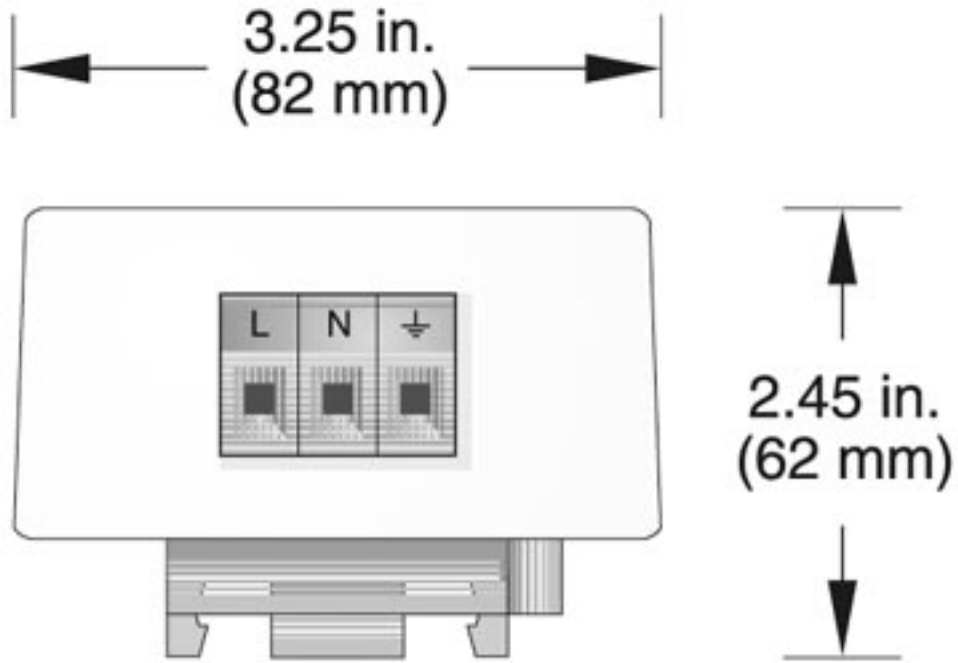
Dimensioned drawing



Front view

## Socket - EM-DUO 120/15 - 5600461

Dimensioned drawing



Bottom view