

Solid-state relay module - EMG 10-OE- 24DC/ 48DC/100 - 2948908

Please be informed that the data shown in this PDF Document is generated from our Online Catalog. Please find the complete data in the user's documentation. Our General Terms of Use for Downloads are valid (<http://phoenixcontact.com/download>)



Input solid-state relay, with LED and protective circuit in input and output circuits, input: 24 V DC, output: 4 - 48 V DC/max. 100 mA


The illustration shows version EMG 10-OE, with DC voltage output, max.100 mA

Product Features

- Protective circuit in input and output
- EMG-10-OV, short-circuit-proof with indicator LED
- RC protective circuit
- Electrical isolation
- Zero voltage switch
- Status indicator



Key commercial data

| | |
|--------------------------------------|---|
| Packing unit | 1 pc |
| GTIN |  4 017918 083571 |
| Weight per Piece (excluding packing) | 38.34 GRM |
| Custom tariff number | 85364190 |
| Country of origin | Germany |

Technical data

Note

| | |
|-------------------------|---|
| Utilization restriction | EMC: class A product, see manufacturer's declaration in the download area |
|-------------------------|---|

Dimensions

Solid-state relay module - EMG 10-OE- 24DC/ 48DC/100 - 2948908

Technical data

Dimensions

| | |
|--------|--------|
| Width | 10 mm |
| Height | 75 mm |
| Depth | 102 mm |

Ambient conditions

| | |
|---|------------------|
| Ambient temperature (operation) | -20 °C ... 60 °C |
| Ambient temperature (storage/transport) | -20 °C ... 70 °C |
| Degree of protection | IP20 |

Input data

| | |
|--|--------------------------------------|
| Nominal input voltage U_N | 24 V DC |
| Input voltage range in reference to U_N | 0.8 ... 1.2 |
| Switching threshold "0" signal in reference to U_N | ≤ 0.4 |
| Switching threshold "1" signal in reference to U_N | ≥ 0.8 |
| Typical input current at U_N | 8.5 mA |
| Typical response time | 20 μ s |
| Typical turn-off time | 100 μ s |
| Status display | Yellow LED |
| Type of protection | Protection against polarity reversal |
| | Surge protection |
| Protective circuit/component | Polarity protection diode |
| Transmission frequency | 500 Hz |

Output data

| | |
|--|--------------------------------------|
| Output nominal voltage | 48 V DC |
| Output voltage range | 4 V DC ... 48 V DC |
| Limiting continuous current | 100 mA |
| Voltage drop at max. limiting continuous current | 0.9 V |
| Output circuit | 2-wire, floating |
| Type of protection | Protection against polarity reversal |
| | Surge protection |
| Protective circuit/component | Polarity protection diode |

Connection data

| | |
|------------------------------------|---------------------|
| Connection method | Screw connection |
| Stripping length | 8 mm |
| Screw thread | M3 |
| Conductor cross section solid min. | 0.2 mm ² |
| Conductor cross section solid max. | 4 mm ² |

Solid-state relay module - EMG 10-OE- 24DC/ 48DC/100 - 2948908

Technical data

Connection data

| | |
|--|---------------------|
| Conductor cross section stranded min. | 0.2 mm ² |
| Conductor cross section stranded max. | 2.5 mm ² |
| Conductor cross section AWG/kcmil min. | 24 |
| Conductor cross section AWG/kcmil max | 12 |

General

| | |
|---|---------------------------|
| Test voltage input/output | 3.5 kV AC |
| | 3.5 kV AC |
| Mounting position | any |
| Assembly instructions | In rows with zero spacing |
| Operating mode | 100% operating factor |
| Inflammability class according to UL 94 | V0 |
| Standards/regulations | IEC 60664 |
| | EN 50178 |
| | IEC 62103 |
| Rated surge voltage / insulation | Basic insulation |
| Pollution degree | 2 |
| Surge voltage category | III |

Classifications

eCl@ss

| | |
|------------|----------|
| eCl@ss 4.0 | 27371102 |
| eCl@ss 4.1 | 27371102 |
| eCl@ss 5.0 | 27371001 |
| eCl@ss 5.1 | 27371001 |
| eCl@ss 6.0 | 27371001 |
| eCl@ss 7.0 | 27371601 |
| eCl@ss 8.0 | 27371601 |

ETIM

| | |
|----------|----------|
| ETIM 2.0 | EC001504 |
| ETIM 3.0 | EC001504 |
| ETIM 4.0 | EC001504 |
| ETIM 5.0 | EC001437 |

UNSPSC

| | |
|-------------|----------|
| UNSPSC 6.01 | 30211916 |
|-------------|----------|

Solid-state relay module - EMG 10-OE- 24DC/ 48DC/100 - 2948908

Classifications

UNSPSC

| | |
|---------------|----------|
| UNSPSC 7.0901 | 39121542 |
| UNSPSC 11 | 39121542 |
| UNSPSC 12.01 | 39121542 |
| UNSPSC 13.2 | 39121542 |

Approvals

Approvals

Approvals

GOST

Ex Approvals

Approvals submitted

Approval details



Accessories

Accessories

Marking material - EMG-GKS 12 - 2947035

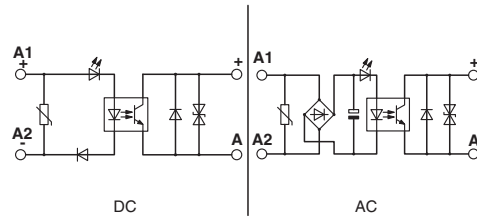


Equipment marker, width 12 mm

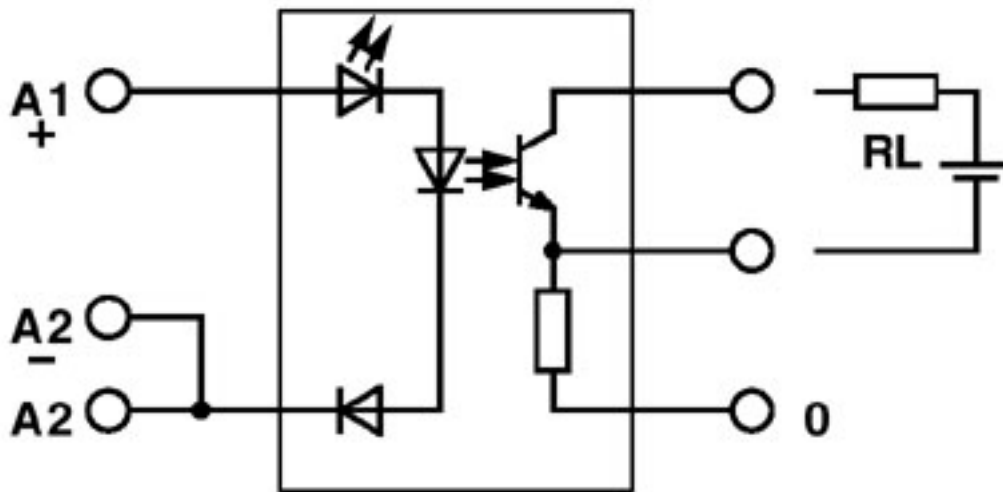
Drawings

Solid-state relay module - EMG 10-OE- 24DC/ 48DC/100 - 2948908

Circuit diagram



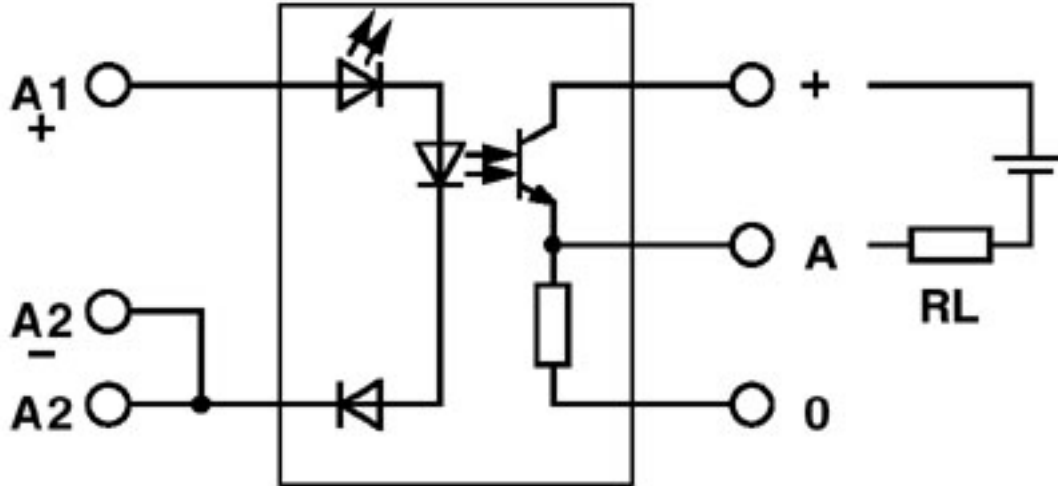
Circuit diagram



Output: 2-wire, floating, minus switching

Solid-state relay module - EMG 10-OE- 24DC/ 48DC/100 - 2948908

Circuit diagram



Output: 2-wire, floating, plus switching