

## Product Change Notification

### PCN-FDC-10205-2024

Business Unit	Product Line Code	Type of Change	Action	Date of Issue
FDC - Field Device Connectors	ABN	Product Change Notification	Notify Distributors and Field	7/26/2024

*The following Phoenix Contact products have been modified. Existing specifications will be met or exceeded. Please review and acknowledge this document and inform your personnel as needed.*

#### Description for Product Change Notification

For the products below, the injection molding tool for the housing is reaching the end of its service life. The new tool is optimized to improve the shape of the flow path and filling. With that, the inner edge in the four corners of the connector's housing now has a recess (see attached images).

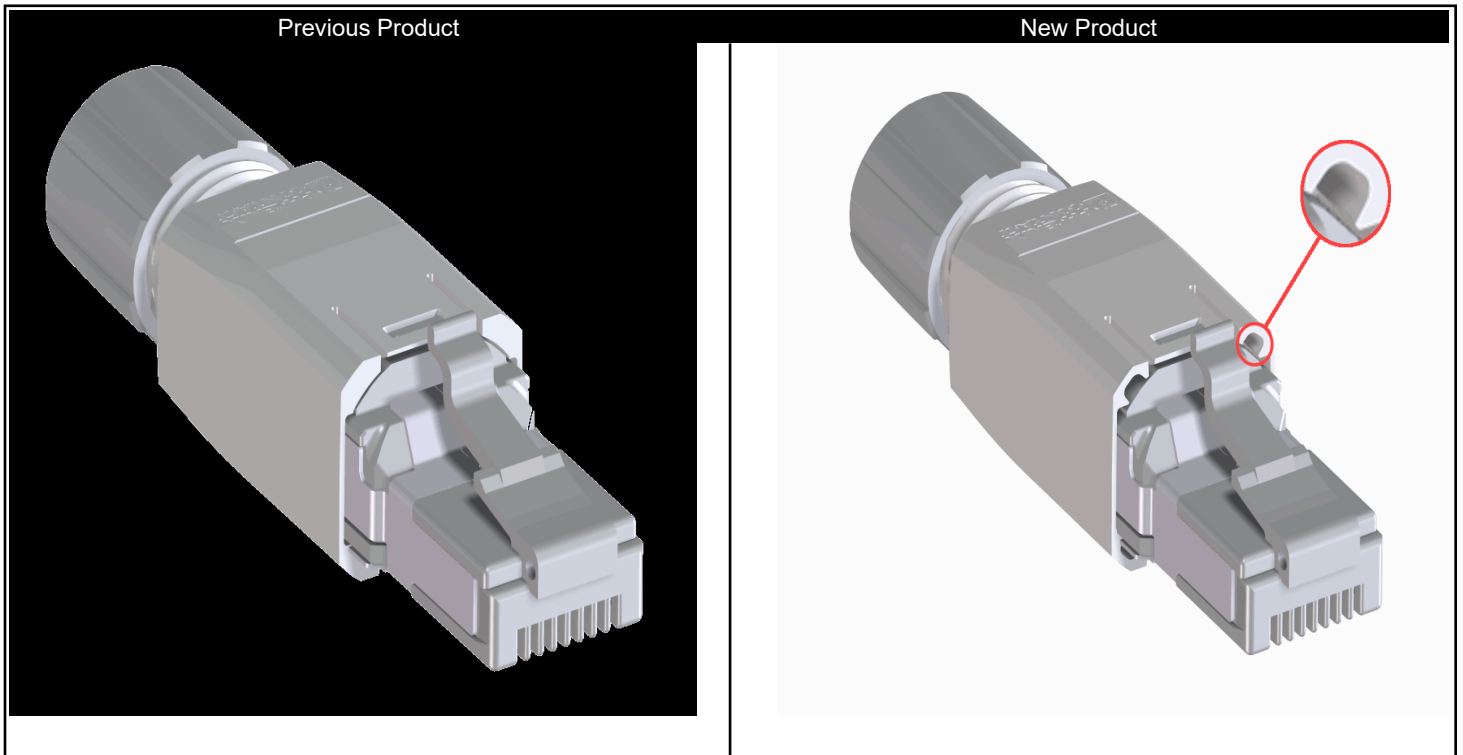
The change has no influence on the function or technical properties of the product.

#### Stock Status

Can existing stock still be used?	Yes
Is mixture of stock acceptable?	Yes

#### Transaction Dates

Date modification goes into effect from Germany:	6/23/2024
Expected first shipment (from Phoenix Contact) of the modified products(s):	7/1/2024





Phoenix Contact Inc.  
P.O. BOX 4100  
Harrisburg, PA 17111-0100  
Phone: 717-944-1300

## Product Change Notification

*Should you have any issues with the timeline or content of this product change, please contact Phoenix Contact using the information below. Customers should acknowledge receipt of the PCN within 30 days of delivery of the PCN; provided, however, that the failure to acknowledge receipt does not affect the product change or the effective date thereof.*

**Contact Info:**

Tristan Burns  
tburns@phoenixcontact.com

Thank you,

---

Joel Boone

Product Marketing Manager



Phoenix Contact Inc.  
P.O. BOX 4100  
Harrisburg, PA 17111-0100  
Phone: 717-944-1300

## Product Change Notification

Part #	Type Description
1402410	VS-VARAN-RJ45-Q
1412807	NBC-M12FS/7,0-971/R4AQ VR
1419176	VS-PPC/ME-IP20-93K-LI/5,0
1416138	VS-PPC/ME-IP20-93B-LI/5,0
1416246	VS-PPC/ME-IP20-93R-LI/5,0
1416182	VS-OE-IP20-93C-LI/2,0
1419146	VS-FSDBPS-IP20-93G-LI/2,0
1419149	VS-IP20-OE-93G-LI/2,0
1404364	VS-IP20-IP20-93B/0,5
1404366	VS-IP20-IP20-93B/5,0
1419166	VS-IP20-IP20-93K-LI/2,0
1404365	VS-IP20-IP20-93B/1,0
1416131	VS-IP20-IP20-93B-LI/2,0
1416185	VS-IP20-IP20-93C-LI/2,0
1656725	VS-08-RJ45-5-Q/IP20
1404369	VS-M12FSBPS-IP20-93B/5,0
1417294	VS-08-RJ45-5-Q/IP67 TIA568A
1412972	VS-PPC/PL-IP20-94C-LI/2,0
1412943	VS-PPC/ME-IP20-94C-LI/2,0
1412888	VS-IP67-IP20-94C-LI/2,0
1413095	VS-M12FSBP-IP20-94C-LI/2,0
1413001	NBC-M12FSBP-PG9/5,0-94D/R4AQ
1404368	VS-M12FSBPS-IP20-93B/1,0
1403374	VS-M12FSBP-IP20-94C-LI/1,0
1404367	VS-M12FSBPS-IP20-93B/0,5
1412859	VS-IP20-IP20-94C-LI/2,0
1404356	VS-IP20-IP20-94C/10
1658435	VS-PN-RJ45-5-Q/IP20
1416141	VS-PPC/PL-IP20-93B-LI/5,0
1416212	VS-IP20-M12FSBP-93C-LI/2,0
1416173	VS-BU/PN-IP20-93B-LI/2,0
1416158	VS-IP20-M12FSBP-93B-LI/2,0
1419167	VS-FSDBPS-IP20-93K-LI/2,0
1419179	VS-PPC/PL-IP20-93K-LI/5,0
1658008	VS-08-RJ45-5-Q/IP20 BK
1417401	VS-08-RJ45-5-Q/IP20-EC