

## Product change notification (PCN)

<b>Title / short description</b>	Modification of the foot geometry – UK 6-FSI/C
<b>Affected article category</b>	Terminal blocks
<b>Change category</b>	Form and appearance
<b>Change number</b>	CBE220115-00
<b>Reason for PCN/PDN Revision</b>	

**Purpose/objective of the change**  
Improvement of the foot geometry.

### Detailed description of the change

Modification of the foot geometry to improve the mounting process on the DIN rail in terms of forces and haptics.

### Identifying characteristics

See item list

<b>Start of Production (SOP)</b>	2024-03-15	<b>Last Time Delivery (LTD)</b>	-
<b>Effective date (EOP)</b>	-	<b>End of Service (EOSR)</b>	-
<b>End of Sales (EOS)</b>	2024-03-15		

### Short-term change (< 6 months) or discontinuation (< 12 months), due to:

- |   |   |  |
|---|---|--|
| <input type="checkbox"/> Software / Firmware Bugfix | <input type="checkbox"/> Short-term delivery stop by supplier       | <input type="checkbox"/> Short-term recall by supplier |
| <input type="checkbox"/> Force majeure              | <input type="checkbox"/> Product improvement with customer benefits |  |
| <input type="checkbox"/> Others                     |   |  |

### Attachments

- CBE220115.pptx
- Material\_list.csv
- PCN-CBE220115-00\_DE
- PCN-CBE220115-00\_EN

### Material list

Item no.	Item Type	Hardware / Firmware		Item no.	Substitute item Type
		old	new		
3118203	UK 6-FSI/C	16	17		
3001938	UK 6-FSI/C-LED24	17	18		
3001925	UK 6-FSI/C-LED12	17	18		
3001939	UK 6-FSI/C-LED60	09	10		
3218543	UK 6-FSI/C/ET	09	10		
3218569	UK 6-FSI/C-LED24/ET	09	10		
0711577	UK 6-FSI/C-LED24/E-T-A	13	14		
0711564	UK 6-FSI/C/E-T-A	12	13		

# Produktänderungsmitteilung (PCN)

<b>Titel / kurze Beschreibung</b>	Änderung der Fußgeometrie – UK 6-FSI/C
<b>Betroffene Artikelkategorie</b>	Reihenklemmen
<b>Änderungskategorie</b>	Form und Erscheinung
<b>Änderungsnummer</b>	CBE220115-00
<b>Grund der PCN/PDN Revisionierung</b>	

## Zweck/Ziel der Änderung

Verbesserung der Fußgeometrie.

## Detailbeschreibung der Änderung

Änderung der Fußgeometrie zur Verbesserung des Montagevorgangs auf der Hutschiene hinsichtlich Kräfte und Haptik.

## Identifizierende Merkmale

Siehe Artikelliste

<b>Beginn der Herstellung (SOP)</b>	2024-03-15	<b>Letztmalige Lieferung (LTD)</b>	-
<b>Inkrafttreten der Änderung (EOP)</b>	-	<b>Einstellung von Service (EOSR)</b>	-
<b>Einstellung des Vertriebs (EOS)</b>	2024-03-15		

## Kurzfristige Änderung (< 6 Monate) oder Abkündigung (< 12 Monate), auf Grund von:

- |   |  |  |
|---|--|--|
| <input type="checkbox"/> Software / Firmware Bugfix | <input type="checkbox"/> Kurzfristiger Lieferstopp durch den Lieferanten | <input type="checkbox"/> Kurzfristiger Rückruf durch den Lieferanten |
| <input type="checkbox"/> Höhere Gewalt              | <input type="checkbox"/> Produktverbesserung mit Kundennutzen            |  |
| <input type="checkbox"/> Sonstiges                  |  |  |

## Anlagen

- CBE220115.pptx
- Material\_list.csv
- PCN-CBE220115-00\_DE
- PCN-CBE220115-00\_EN

## Materialliste

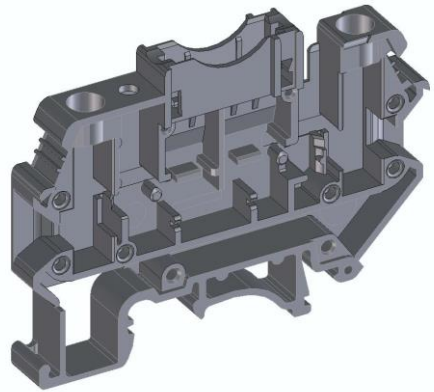
Art.-Nr.	Artikel Typ	Revision/Versionscharge		Art.-Nr.	Ersatzartikel Typ
		alt	neu		
3118203	UK 6-FSI/C	16	17		
3001938	UK 6-FSI/C-LED24	17	18		
3001925	UK 6-FSI/C-LED12	17	18		
3001939	UK 6-FSI/C-LED60	09	10		
3218543	UK 6-FSI/C/ET	09	10		
3218569	UK 6-FSI/C-LED24/ET	09	10		
0711577	UK 6-FSI/C-LED24/E-T-A	13	14		
0711564	UK 6-FSI/C/E-T-A	12	13		

Item no.	Type	old	new	Substitute item	Replacement product designation	eCl@ss 13.0
3118203	UK 6-FSI/C	16	17			27250113
3001938	UK 6-FSI/C-LED24	17	18			27250113
3001925	UK 6-FSI/C-LED12	17	18			27250113
3001939	UK 6-FSI/C-LED60	09	10			27250113
3218543	UK 6-FSI/C/ET	09	10			27250113
3218569	UK 6-FSI/C-LED24/ET	09	10			27250113
0711577	UK 6-FSI/C-LED24/E-T-A	13	14			27250113
0711564	UK 6-FSI/C/E-T-A	12	13			27250113

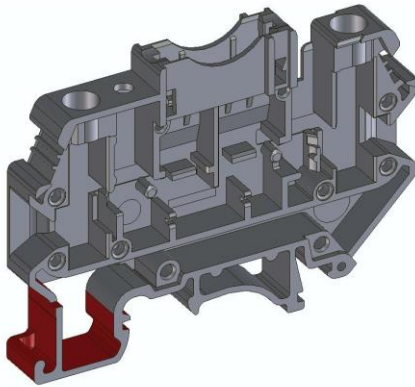
## CBE220115

Change of the foot geometry to improve the mounting process on the DIN rail in terms of forces and haptics. The change will have no other impact on the products functionality. Overall dimensions of the product will not be impacted by this change.

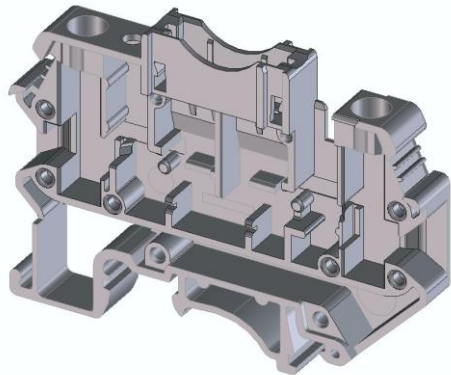
OLD



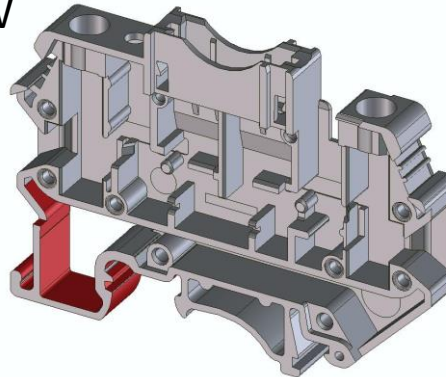
NEW



OLD



NEW



### Impacted products:

3118203	UK 6-FSI/C
3001925	UK 6-FSI/C-LED12
3001938	UK 6-FSI/C-LED24
3001939	UK 6-FSI/C-LED60
3218543	UK 6-FSI/C/ET
3218569	UK 6-FSI/C-LED24/ET
0711577	UK 6-FSI/C-LED24/E-T-A
0711564	UK 6-FSI/C/E-T-A