

## Product change notification (PCN)

<b>Title / short description</b>	Changes to the plastic housings
<b>Affected article category</b>	PCB terminal blocks and PCB connectors
<b>Change category</b>	Form and appearance
<b>Change number</b>	CAA190055-01
<b>Reason for PCN/PDN Revision</b>	Item list update

---

### Purpose/objective of the change

Housing change

### Detailed description of the change

For horizontal items, the geometric shape of the bottom is being changed. For vertical items, the side area is being changed.

### Identifying characteristics

<b>Start of Production (SOP)</b>	-	<b>Last Time Delivery (LTD)</b>	-
<b>Effective date (EOP)</b>	2023-06-01	<b>End of Service (EOSR)</b>	-
<b>End of Sales (EOS)</b>	-		

### Short-term change (< 6 months) or discontinuation (< 12 months), due to:

- |   |   |  |
|---|---|--|
| <input type="checkbox"/> Software / Firmware Bugfix | <input type="checkbox"/> Short-term delivery stop by supplier       | <input type="checkbox"/> Short-term recall by supplier |
| <input type="checkbox"/> Force majeure              | <input type="checkbox"/> Product improvement with customer benefits |  |

Others

Item list update

---

### Attachments

- MCD\_OLD\_NEW.jpg
- Material\_list.csv
- PCN-CAA190055-01 Veränderungen an den Kunststoffgehäusen\_DE
- PCN-CAA190055-01 Changes to the plastic housings\_EN

### Material list

Item no.	Item Type	Hardware old	Firmware new	Item no.	Substitute item Type
1032489	MCD 1,5/ 4-G1-3,81 GY	0	1		
1054647	MCD 1,5/ 6-G1F-3,81 AU	0	1		
1098796	MCD 1,5/ 3-G1-3,81 GY	0	1		
1102057	MCD 1,5/10-G1F-3,81 BK	0	1		
1102064	MCD 1,5/16-G1F-3,81 BK	0	1		
1180647	MCD 1,5/ 3-G1F-3,81 BK	0	1		
1182804	MCD 1,5/ 8-G1F-3,81 GY	0	1		
1182805	MCD 1,5/15-G1F-3,81 GY	0	1		
1227629	MCD 1,5/ 3-G-3,81 2BD:1B-3A	0	1		
1354891	MCD 1,5/ 8-G1F-3,81BK2CPBD-9MQ	0	1		
1354893	MCD 1,5/ 8-G1F-3,81BK2CPBD43MQ	0	1		
1354895	MCD 1,5/ 9-G1F-3,81BK2CPBD26MQ	0	1		
1701446	MCD 1,5/ 4-G-3,81 GY7035	0	1		
1701448	MCD 1,5/ 6-G-3,81 GY7035	0	1		
1701925	MCD 1,5/12-G-3,81 GY7035	0	1		
1702367	MCD 1,5/ 6-G1-3,81 OG	0	1		
1702556	MCD 1,5/ 3-G-3,81 GY7035	0	1		
1703156	MCD 1,5/ 9-G1F-3,81 CP1,18	0	1		
1703159	MCD 1,5/16-G1F-3,81 CP1,32	0	1		
1703161	MCD 1,5/ 9-G1F-3,81 CP2,17	0	1		
1703452	MCD 1,5/ 2-G1F-3,81 AU	0	1		
1703850	MCD 1,5/ 2-G1-3,81 GY CP1,4	0	1		
1703851	MCD 1,5/ 2-G1-3,81 GY CP2,3	0	1		
1704360	MCD 1,5/12-G1-3,81 GY	0	1		
1704480	MCD 1,5/ 8-G1F-3,81 AU	0	1		
1704980	MCD 1,5/ 4-G1-3,81 AU	0	1		
1705574	MCD 1,5/10-G-3,81 GY7035	0	1		
1705989	MCD 1,5/ 4-G-3,81 CP 3,6	1	2		
1705990	MCD 1,5/13-G-3,81 5CP	1	2		
1705991	MCD 1,5/ 8-G-3,81 CP 7,10	1	2		
1706875	MCD 1,5/12-G1-3,81 OG	0	1		
1708118	MCD 1,5/ 6-G1-3,81 BK AU	0	1		
1713858	MCD 1,5/ 6-G1-3,81 2CP BD:-42	0	1		
1717207	MCD 1,5/ 5-G1F-3,81 GY	0	1		
1717209	MCD 1,5/10-G1F-3,81 GY	0	1		
1717210	MCD 1,5/16-G1F-3,81 GY	0	1		
1727003	MCD 1,5/ 8-G1-3,81 GY	0	1		
1732658	MCD 1,5/14-G1F-3,81 BK	1	2		

Item no.	Item Type	Hardware / Firmware		Item no.	Substitute item Type
		old	new		
1752476	MCD 1,5/12-G-3,81 BDNZ:522	0	1		
1761292	MCD 1,5/13-G1-3,81 BK AU	0	1		
1800341	MCD 1,5/ 4-G-3,81 BK	0	1		
1800345	MCD 1,5/ 8-G-3,81 BK	0	1		
1800347	MCD 1,5/10-G-3,81 BK	0	1		
1800355	MCD 1,5/ 2-G1-3,81 BK	0	1		
1800356	MCD 1,5/ 4-G1-3,81 BK	0	1		
1800357	MCD 1,5/ 6-G1-3,81 BK	0	1		
1800359	MCD 1,5/ 8-G1-3,81 BK	0	1		
1800360	MCD 1,5/ 9-G1-3,81 BK	0	1		
1800366	MCD 1,5/16-G1-3,81 BK	0	1		
1812513	MCD 1,5/ 9-G1-3,81 OG	0	1		
1829950	MCD 1,5/ 2-G-3,81	0	1		
1829963	MCD 1,5/ 3-G-3,81	0	1		
1829976	MCD 1,5/ 4-G-3,81	0	1		
1829989	MCD 1,5/ 5-G-3,81	0	1		
1829992	MCD 1,5/ 6-G-3,81	0	1		
1830004	MCD 1,5/ 7-G-3,81	0	1		
1830017	MCD 1,5/ 8-G-3,81	0	1		
1830020	MCD 1,5/ 9-G-3,81	0	1		
1830033	MCD 1,5/10-G-3,81	0	1		
1830046	MCD 1,5/11-G-3,81	0	1		
1830059	MCD 1,5/12-G-3,81	0	1		
1830062	MCD 1,5/13-G-3,81	0	1		
1830075	MCD 1,5/14-G-3,81	0	1		
1830088	MCD 1,5/15-G-3,81	0	1		
1830091	MCD 1,5/16-G-3,81	0	1		
1830101	MCD 1,5/ 2-GF-3,81	1	2		
1830114	MCD 1,5/ 3-GF-3,81	1	2		
1830127	MCD 1,5/ 4-GF-3,81	1	2		
1830130	MCD 1,5/ 5-GF-3,81	1	2		
1830143	MCD 1,5/ 6-GF-3,81	1	2		
1830156	MCD 1,5/ 7-GF-3,81	1	2		
1830169	MCD 1,5/ 8-GF-3,81	1	2		
1830172	MCD 1,5/ 9-GF-3,81	1	2		
1830185	MCD 1,5/10-GF-3,81	1	2		
1830198	MCD 1,5/11-GF-3,81	1	2		
1830208	MCD 1,5/12-GF-3,81	1	2		
1830211	MCD 1,5/13-GF-3,81	1	2		

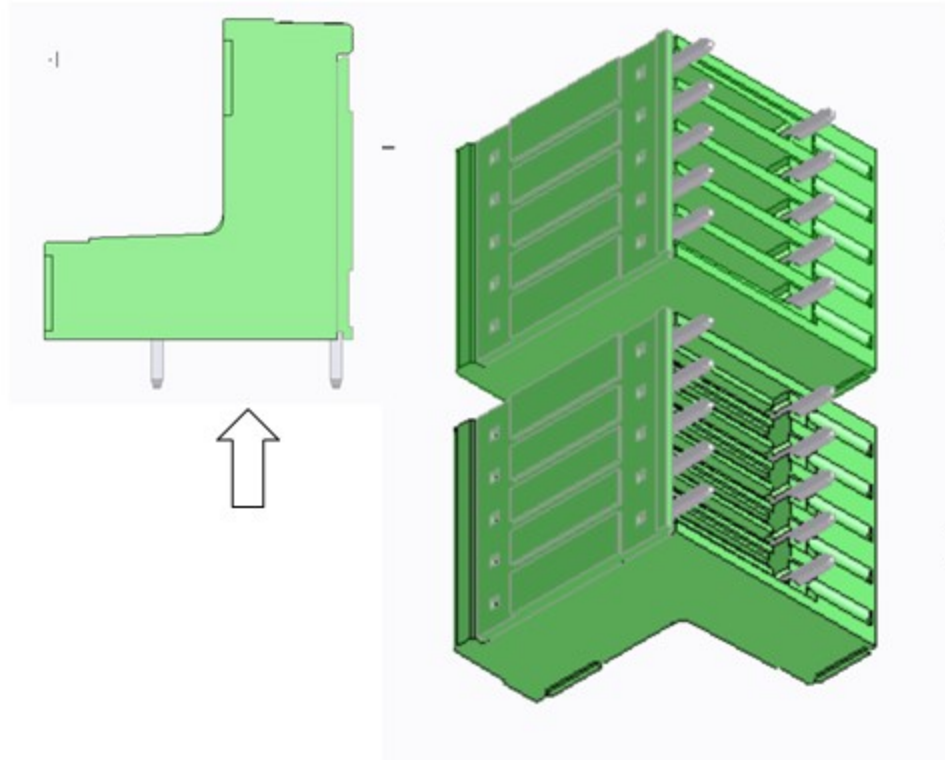
Item no.	Item Type	Hardware / Firmware		Item no.	Substitute item Type
		old	new		
1830224	MCD 1,5/14-GF-3,81	1	2		
1830237	MCD 1,5/15-GF-3,81	1	2		
1830240	MCD 1,5/16-GF-3,81	1	2		
1842911	MCD 1,5/ 2-G1F-3,81	1	2		
1842924	MCD 1,5/ 3-G1F-3,81	1	2		
1842937	MCD 1,5/ 4-G1F-3,81	1	2		
1842940	MCD 1,5/ 5-G1F-3,81	1	2		
1842953	MCD 1,5/ 6-G1F-3,81	1	2		
1842966	MCD 1,5/ 7-G1F-3,81	1	2		
1842979	MCD 1,5/ 8-G1F-3,81	1	2		
1842982	MCD 1,5/ 9-G1F-3,81	1	2		
1842995	MCD 1,5/10-G1F-3,81	1	2		
1843004	MCD 1,5/11-G1F-3,81	1	2		
1843017	MCD 1,5/12-G1F-3,81	1	2		
1843033	MCD 1,5/13-G1F-3,81	1	2		
1843046	MCD 1,5/14-G1F-3,81	1	2		
1843059	MCD 1,5/15-G1F-3,81	1	2		
1843062	MCD 1,5/16-G1F-3,81	1	2		
1843075	MCD 1,5/ 2-G1-3,81	0	1		
1843088	MCD 1,5/ 3-G1-3,81	0	1		
1843091	MCD 1,5/ 4-G1-3,81	0	1		
1843101	MCD 1,5/ 5-G1-3,81	0	1		
1843114	MCD 1,5/ 6-G1-3,81	0	1		
1843127	MCD 1,5/ 7-G1-3,81	0	1		
1843130	MCD 1,5/ 8-G1-3,81	0	1		
1843143	MCD 1,5/ 9-G1-3,81	0	1		
1843156	MCD 1,5/10-G1-3,81	0	1		
1843169	MCD 1,5/11-G1-3,81	0	1		
1843172	MCD 1,5/12-G1-3,81	0	1		
1843185	MCD 1,5/13-G1-3,81	0	1		
1843198	MCD 1,5/14-G1-3,81	0	1		
1843208	MCD 1,5/15-G1-3,81	0	1		
1843211	MCD 1,5/16-G1-3,81	0	1		
1846275	MCD 1,5/13-G1-3,81 GY	0	1		
1850107	MCD 1,5/ 8-G-3,81 GY X100/1CU1	0	1		
1850110	MCD 1,5/12-G-3,81 GY X100/1CU2	0	1		
1850123	MCD 1,5/10-G-3,81 GY X102/3CU2	0	1		
1859755	MCD 1,5/ 5-G1-3,81 BK	0	1		
1859768	MCD 1,5/10-G1-3,81 BK	0	1		

Item no.	Item Type	Hardware / Firmware		Item no.	Substitute item Type
		old	new		
1880782	MCD 1,5/10-G1-3,81 AU	0	1		
1880818	MCD 1,5/ 3-G1-3,81 BK	0	1		
1896420	MCD 1,5/ 8-G1-3,81 AU BS89140Q	0	1		
1896433	MCD 1,5/16-G1-3,81 AU BS89141Q	0	1		
1897982	MCD 1,5/10-G1-3,81 GY	0	1		
1901645	MCD 1,5/ 5-G1-3,81 GY	0	1		
1908486	MCD 1,5/10-G1F-3,81 AU	1	2		
1919161	MCD 1,5/10-G1-3,81BS1120/1-10I	0	1		
1924693	MCD 1,5/ 3-G1-3,81GYLNZE416279	0	1		
1924703	MCD 1,5/ 3-G1-3,81GYLNZE416278	0	1		
1924716	MCD 1,5/ 8-G1-3,81GYLENZ416280	0	1		
1937169	MCD 1,5/ 7-G1-3,81BS1-7/1-7IND	0	1		
1937172	MCD 1,5/ 9-G1-3,81BS1-9/1-9IND	0	1		
1937185	MCD 1,5/11-G1-3,81BS1-11/1-11I	0	1		
1948080	MCD 1,5/ 8-G1-3,81 HT BK	0	1		
1951682	MCD 1,5/ 4-G1-3,81 GY NZ451017	0	1		
1958368	MCD 1,5/ 6-G1-3,81 HT BK	0	1		
1962670	MCD 1,5/12-G1-3,81 BK	0	1		
1965746	MCD 1,5/ 8-G1-3,81 CP 8,10	0	1		
1830402	MCDV 1,5/ 2-G-3,81	0	1		
1711085	MCDV 1,5/ 2-G-3,81 BU	0	1		
1847725	MCDV 1,5/ 2-G1-3,81	0	1		
1711083	MCDV 1,5/ 2-G1-3,81 BU	0	1		
1842762	MCDV 1,5/ 2-G1F-3,81	1	2		
1830253	MCDV 1,5/ 2-GF-3,81	1	2		
1830415	MCDV 1,5/ 3-G-3,81	0	1		
1847738	MCDV 1,5/ 3-G1-3,81	0	1		
1842775	MCDV 1,5/ 3-G1F-3,81	1	2		
1830266	MCDV 1,5/ 3-GF-3,81	1	2		
1830428	MCDV 1,5/ 4-G-3,81	0	1		
1847741	MCDV 1,5/ 4-G1-3,81	0	1		
1800386	MCDV 1,5/ 4-G1-3,81 BK	0	1		
1842788	MCDV 1,5/ 4-G1F-3,81	1	2		
1830279	MCDV 1,5/ 4-GF-3,81	1	2		
1830431	MCDV 1,5/ 5-G-3,81	0	1		
1847754	MCDV 1,5/ 5-G1-3,81	0	1		
1800387	MCDV 1,5/ 5-G1-3,81 BK	0	1		
1842791	MCDV 1,5/ 5-G1F-3,81	1	2		
1830282	MCDV 1,5/ 5-GF-3,81	1	2		

Item no.	Item Type	Hardware / Firmware		Item no.	Substitute item Type
		old	new		
1830444	MCDV 1,5/ 6-G-3,81	0	1		
1847767	MCDV 1,5/ 6-G1-3,81	0	1		
1711081	MCDV 1,5/ 6-G1-3,81 BU	0	1		
1842801	MCDV 1,5/ 6-G1F-3,81	1	2		
1918298	MCDV 1,5/ 6-G1F-3,81 BK	1	2		
1830295	MCDV 1,5/ 6-GF-3,81	1	2		
1830457	MCDV 1,5/ 7-G-3,81	0	1		
1847783	MCDV 1,5/ 7-G1-3,81	0	1		
1842814	MCDV 1,5/ 7-G1F-3,81	1	2		
1830305	MCDV 1,5/ 7-GF-3,81	1	2		
1830460	MCDV 1,5/ 8-G-3,81	0	1		
1847796	MCDV 1,5/ 8-G1-3,81	0	1		
1842827	MCDV 1,5/ 8-G1F-3,81	1	2		
1830318	MCDV 1,5/ 8-GF-3,81	1	2		
1830473	MCDV 1,5/ 9-G-3,81	0	1		
1847806	MCDV 1,5/ 9-G1-3,81	0	1		
1842830	MCDV 1,5/ 9-G1F-3,81	2	3		
1830321	MCDV 1,5/ 9-GF-3,81	1	2		
1830486	MCDV 1,5/10-G-3,81	0	1		
1847819	MCDV 1,5/10-G1-3,81	1	2		
1800392	MCDV 1,5/10-G1-3,81 BK	1	2		
1453587	MCDV 1,5/10-G1-3,81 GY	0	1		
1456320	MCDV 1,5/10-G1-3,81 OG	0	1		
1842843	MCDV 1,5/10-G1F-3,81	2	3		
1830334	MCDV 1,5/10-GF-3,81	1	2		
1830499	MCDV 1,5/11-G-3,81	0	1		
1847822	MCDV 1,5/11-G1-3,81	1	2		
1842856	MCDV 1,5/11-G1F-3,81	2	3		
1830347	MCDV 1,5/11-GF-3,81	1	2		
1830509	MCDV 1,5/12-G-3,81	0	1		
1847835	MCDV 1,5/12-G1-3,81	1	2		
1842869	MCDV 1,5/12-G1F-3,81	2	3		
1830350	MCDV 1,5/12-GF-3,81	1	2		
1830512	MCDV 1,5/13-G-3,81	0	1		
1842872	MCDV 1,5/13-G1F-3,81	2	3		
1830363	MCDV 1,5/13-GF-3,81	1	2		
1830525	MCDV 1,5/14-G-3,81	0	1		
1847851	MCDV 1,5/14-G1-3,81	1	2		
1842885	MCDV 1,5/14-G1F-3,81	2	3		

Item no.	Item Type	Hardware / Firmware		Item no.	Substitute item Type
		old	new		
1830376	MCDV 1,5/14-GF-3,81	1	2		
1830538	MCDV 1,5/15-G-3,81	0	1		
1847864	MCDV 1,5/15-G1-3,81	1	2		
1842898	MCDV 1,5/15-G1F-3,81	1	2		
1894189	MCDV 1,5/15-G1F-3,81 BK	2	3		
1830389	MCDV 1,5/15-GF-3,81	1	2		
1830541	MCDV 1,5/16-G-3,81	0	1		
1847877	MCDV 1,5/16-G1-3,81	1	2		
1842908	MCDV 1,5/16-G1F-3,81	2	3		
1830392	MCDV 1,5/16-GF-3,81	1	2		
1079999	MCDV 1,5/16-GF-3,81 GY	0	1		

MCD 1,5/...Horizontal versions



MCDV 1,5/...Vertical versions

