

Product change notification (PCN)

Title / short description	IPC(V) 16/..-G.. and DFK-PC 6-16/..-G.. Ribs removed from housing
Affected article category	PCB terminal blocks and PCB connectors
Change category	Form and appearance
Change number	CAA190016-00
Reason for PCN/PDN Revision	Creation

Purpose/objective of the change

Adaptation to the housing contours of the PC(V) 6-16/..-G families

Detailed description of the change

As part of the continuous improvement processes, the connecting ribs will be removed from the housings. This means that these items will have the same contour as the PC(V) 6-16/..-G headers. The external dimensions, pin layout, and technical data will not change. An old vs. new comparison drawing and an item list including the batch numbers are attached.

Identifying characteristics

Start of Production (SOP)	-	Last Time Delivery (LTD)	-
Effective date (EOP)	2023-08-01	End of Service (EOSR)	-
End of Sales (EOS)	-		

Short-term change (< 6 months) or discontinuation (< 12 months), due to:

- | | | |
|---|---|--|
| <input type="checkbox"/> Software / Firmware Bugfix | <input type="checkbox"/> Short-term delivery stop by supplier | <input type="checkbox"/> Short-term recall by supplier |
| <input type="checkbox"/> Force majeure | <input type="checkbox"/> Product improvement with customer benefits | |
| <input type="checkbox"/> Others | | |

Attachments

- CAA190016 Comparison DFK-IPC 6-16 old-new.pdf
- Material_list.csv
- PCN-CAA190016-00 IPC(V) 16/..-G.. und DFK-PC 6-16/..-G.. Stege am Gehäuse entfernt_DE
- PCN-CAA190016-00 IPC(V) 16/..-G.. and DFK-PC 6-16/..-G.. Ribs removed from housing_EN

Material list

Item no.	Item Type	Hardware old	Firmware new	Item no.	Substitute item Type
1969535	IPC 16/ 2-G-10,16	4	5		
1733819	IPC 16/ 2-G-10,16 BK	2	3		
1745179	IPC 16/ 2-G-10,16 YE	2	3		
1969616	IPC 16/ 2-GF-10,16	3	4		
1705611	IPC 16/ 2-GF-10,16 GY	0	1		
1969933	IPC 16/ 2-GFU-10,16	3	4		
1969852	IPC 16/ 2-GU-10,16	3	4		
1969548	IPC 16/ 3-G-10,16	5	6		
1751079	IPC 16/ 3-G-10,16 1CSS1	2	3		
1733822	IPC 16/ 3-G-10,16 BK	2	3		
1793121	IPC 16/ 3-G-10,16 GY	0	1		
1969629	IPC 16/ 3-GF-10,16	3	4		
1018095	IPC 16/ 3-GF-10,16 GY	0	1		
1969946	IPC 16/ 3-GFU-10,16	3	4		
1969865	IPC 16/ 3-GU-10,16	3	4		
1969551	IPC 16/ 4-G-10,16	4	5		
1730087	IPC 16/ 4-G-10,16 BK	2	3		
1704472	IPC 16/ 4-G-10,16 OG	0	1		
1969632	IPC 16/ 4-GF-10,16	3	4		
1969959	IPC 16/ 4-GFU-10,16	3	4		
1969878	IPC 16/ 4-GU-10,16	3	4		
1969564	IPC 16/ 5-G-10,16	3	4		
1969645	IPC 16/ 5-GF-10,16	3	4		
1710038	IPC 16/ 5-GF-10,16 BK	0	1		
1969962	IPC 16/ 5-GFU-10,16	3	4		
1969881	IPC 16/ 5-GU-10,16	3	4		
1969577	IPC 16/ 6-G-10,16	3	4		
1793095	IPC 16/ 6-G-10,16 GY	0	1		
1969658	IPC 16/ 6-GF-10,16	3	4		
1969975	IPC 16/ 6-GFU-10,16	3	4		
1969894	IPC 16/ 6-GU-10,16	3	4		
1969580	IPC 16/ 7-G-10,16	3	4		
1733903	IPC 16/ 7-G-10,16 GY	2	3		
1969661	IPC 16/ 7-GF-10,16	3	4		
1969988	IPC 16/ 7-GFU-10,16	3	4		
1969904	IPC 16/ 7-GU-10,16	3	4		
1969593	IPC 16/ 8-G-10,16	3	4		
1702608	IPC 16/ 8-G-10,16 BK	0	1		

Item no.	Item Type	Hardware old	Firmware new	Item no.	Substitute item Type
1969674	IPC 16/ 8-GF-10,16	3	4		
1969991	IPC 16/ 8-GFU-10,16	3	4		
1969917	IPC 16/ 8-GU-10,16	3	4		
1969603	IPC 16/ 9-G-10,16	3	4		
1969687	IPC 16/ 9-GF-10,16	3	4		
1970003	IPC 16/ 9-GFU-10,16	3	4		
1969920	IPC 16/ 9-GU-10,16	3	4		
1969690	IPCV 16/ 2-G-10,16	5	6		
1969771	IPCV 16/ 2-GF-10,16	3	4		
1969700	IPCV 16/ 3-G-10,16	3	4		
1703520	IPCV 16/ 3-G-10,16 GY	0	1		
1969784	IPCV 16/ 3-GF-10,16	4	5		
1969713	IPCV 16/ 4-G-10,16	4	5		
1749120	IPCV 16/ 4-G-10,16 PA1,2,4	2	3		
1969797	IPCV 16/ 4-GF-10,16	3	4		
1700967	IPCV 16/ 4-GF-10,16 GY NZ1641	1	2		
1969726	IPCV 16/ 5-G-10,16	3	4		
1969807	IPCV 16/ 5-GF-10,16	3	4		
1992201	IPCV 16/ 5-GF-10,16 GY NZ02440	5	6		
1969739	IPCV 16/ 6-G-10,16	4	5		
1969810	IPCV 16/ 6-GF-10,16	3	4		
1969742	IPCV 16/ 7-G-10,16	3	4		
1969823	IPCV 16/ 7-GF-10,16	3	4		
1969755	IPCV 16/ 8-G-10,16	3	4		
1969836	IPCV 16/ 8-GF-10,16	3	4		
1969768	IPCV 16/ 9-G-10,16	3	4		
1969849	IPCV 16/ 9-GF-10,16	3	4		
1701456	DFK-PC 6-16/ 2-G-10,16	1	2		
1701537	DFK-PC 6-16/ 2-GF-10,16	1	2		
1701935	DFK-PC 6-16/ 2-GF-SH-10,16	1	2		
1701469	DFK-PC 6-16/ 3-G-10,16	1	2		
1701540	DFK-PC 6-16/ 3-GF-10,16	1	2		
1701948	DFK-PC 6-16/ 3-GF-SH-10,16	1	2		
1703260	DFK-PC 6-16/ 3-GF-SH-10,16 BK	0	1		
1701472	DFK-PC 6-16/ 4-G-10,16	1	2		
1701553	DFK-PC 6-16/ 4-GF-10,16	1	2		
1701951	DFK-PC 6-16/ 4-GF-SH-10,16	1	2		
1703261	DFK-PC 6-16/ 4-GF-SH-10,16 BK	0	1		
1701485	DFK-PC 6-16/ 5-G-10,16	1	2		

Item no.	Item Type	Hardware old	Firmware new	Item no.	Substitute item Type
1701566	DFK-PC 6-16/ 5-GF-10,16	1	2		
1701964	DFK-PC 6-16/ 5-GF-SH-10,16	1	2		
1701498	DFK-PC 6-16/ 6-G-10,16	1	2		
1701579	DFK-PC 6-16/ 6-GF-10,16	1	2		
1701977	DFK-PC 6-16/ 6-GF-SH-10,16	1	2		
1701508	DFK-PC 6-16/ 7-G-10,16	1	2		
1701582	DFK-PC 6-16/ 7-GF-10,16	1	2		
1701980	DFK-PC 6-16/ 7-GF-SH-10,16	1	2		
1701511	DFK-PC 6-16/ 8-G-10,16	1	2		
1701595	DFK-PC 6-16/ 8-GF-10,16	1	2		
1701993	DFK-PC 6-16/ 8-GF-SH-10,16	1	2		
1701524	DFK-PC 6-16/ 9-G-10,16	1	2		
1701605	DFK-PC 6-16/ 9-GF-10,16	1	2		
1702002	DFK-PC 6-16/ 9-GF-SH-10,16	1	2		

Produktänderungsmitteilung (PCN)

Titel / kurze Beschreibung	IPC(V) 16/..-G.. und DFK-PC 6-16/..-G.. Stege am Gehäuse entfernt
Betroffene Artikelkategorie	Leiterplattenklemmen und -Steckverbinder
Änderungskategorie	Form und Erscheinung
Änderungsnummer	CAA190016-00
Grund der PCN/PDN Revisionierung	Erstellung

Zweck/Ziel der Änderung

Anpassung an die Gehäusekonturen der PC(V) 6-16/..-G Familien

Detailbeschreibung der Änderung

Im Rahmen der kontinuierlichen Verbesserungsprozesse werden an den Gehäuse Verbindungsrippen entfernt. Damit erhalten diese Artikel die gleiche Kontur wie die PC(V) 6-16/..-G Grundleisten. Die Aussenabmessungen, das Pinlayout und die technischen Daten ändern sich nicht. Eine Vergleichszeichnung alt/neu und eine Artikelliste inclusive der Chargennummern ist angehängt.

Identifizierende Merkmale

Beginn der Herstellung (SOP)	-	Letztmalige Lieferung (LTD)	-
Inkrafttreten der Änderung (EOP)	2023-08-01	Einstellung von Service (EOSR)	-
Einstellung des Vertriebs (EOS)	-		

Kurzfristige Änderung (< 6 Monate) oder Abkündigung (< 12 Monate), auf Grund von:

- | | | |
|---|--|--|
| <input type="checkbox"/> Software / Firmware Bugfix | <input type="checkbox"/> Kurzfristiger Lieferstopp durch den Lieferanten | <input type="checkbox"/> Kurzfristiger Rückruf durch den Lieferanten |
| <input type="checkbox"/> Höhere Gewalt | <input type="checkbox"/> Produktverbesserung mit Kundennutzen | |
| <input type="checkbox"/> Sonstiges | | |

Anlagen

- CAA190016 Comparison DFK-IPC 6-16 old-new.pdf
- Material_list.csv
- PCN-CAA190016-00 IPC(V) 16/..-G.. und DFK-PC 6-16/..-G.. Stege am Gehäuse entfernt_DE
- PCN-CAA190016-00 IPC(V) 16/..-G.. and DFK-PC 6-16/..-G.. Ribs removed from housing_EN

Materialliste

Art.-Nr.	Artikel Typ	Revision/Versionscharge		Art.-Nr.	Ersatzartikel Typ
		alt	neu		
1969535	IPC 16/ 2-G-10,16	4	5		
1733819	IPC 16/ 2-G-10,16 BK	2	3		
1745179	IPC 16/ 2-G-10,16 YE	2	3		
1969616	IPC 16/ 2-GF-10,16	3	4		
1705611	IPC 16/ 2-GF-10,16 GY	0	1		
1969933	IPC 16/ 2-GFU-10,16	3	4		
1969852	IPC 16/ 2-GU-10,16	3	4		
1969548	IPC 16/ 3-G-10,16	5	6		
1751079	IPC 16/ 3-G-10,16 1CSS1	2	3		
1733822	IPC 16/ 3-G-10,16 BK	2	3		
1793121	IPC 16/ 3-G-10,16 GY	0	1		
1969629	IPC 16/ 3-GF-10,16	3	4		
1018095	IPC 16/ 3-GF-10,16 GY	0	1		
1969946	IPC 16/ 3-GFU-10,16	3	4		
1969865	IPC 16/ 3-GU-10,16	3	4		
1969551	IPC 16/ 4-G-10,16	4	5		
1730087	IPC 16/ 4-G-10,16 BK	2	3		
1704472	IPC 16/ 4-G-10,16 OG	0	1		
1969632	IPC 16/ 4-GF-10,16	3	4		
1969959	IPC 16/ 4-GFU-10,16	3	4		
1969878	IPC 16/ 4-GU-10,16	3	4		
1969564	IPC 16/ 5-G-10,16	3	4		
1969645	IPC 16/ 5-GF-10,16	3	4		
1710038	IPC 16/ 5-GF-10,16 BK	0	1		
1969962	IPC 16/ 5-GFU-10,16	3	4		
1969881	IPC 16/ 5-GU-10,16	3	4		
1969577	IPC 16/ 6-G-10,16	3	4		
1793095	IPC 16/ 6-G-10,16 GY	0	1		
1969658	IPC 16/ 6-GF-10,16	3	4		
1969975	IPC 16/ 6-GFU-10,16	3	4		
1969894	IPC 16/ 6-GU-10,16	3	4		
1969580	IPC 16/ 7-G-10,16	3	4		
1733903	IPC 16/ 7-G-10,16 GY	2	3		
1969661	IPC 16/ 7-GF-10,16	3	4		
1969988	IPC 16/ 7-GFU-10,16	3	4		
1969904	IPC 16/ 7-GU-10,16	3	4		
1969593	IPC 16/ 8-G-10,16	3	4		
1702608	IPC 16/ 8-G-10,16 BK	0	1		

Art.-Nr.	Artikel Typ	Revision/Versionscharge		Art.-Nr.	Ersatzartikel Typ
		alt	neu		
1969674	IPC 16/ 8-GF-10,16	3	4		
1969991	IPC 16/ 8-GFU-10,16	3	4		
1969917	IPC 16/ 8-GU-10,16	3	4		
1969603	IPC 16/ 9-G-10,16	3	4		
1969687	IPC 16/ 9-GF-10,16	3	4		
1970003	IPC 16/ 9-GFU-10,16	3	4		
1969920	IPC 16/ 9-GU-10,16	3	4		
1969690	IPCV 16/ 2-G-10,16	5	6		
1969771	IPCV 16/ 2-GF-10,16	3	4		
1969700	IPCV 16/ 3-G-10,16	3	4		
1703520	IPCV 16/ 3-G-10,16 GY	0	1		
1969784	IPCV 16/ 3-GF-10,16	4	5		
1969713	IPCV 16/ 4-G-10,16	4	5		
1749120	IPCV 16/ 4-G-10,16 PA1,2,4	2	3		
1969797	IPCV 16/ 4-GF-10,16	3	4		
1700967	IPCV 16/ 4-GF-10,16 GY NZ1641	1	2		
1969726	IPCV 16/ 5-G-10,16	3	4		
1969807	IPCV 16/ 5-GF-10,16	3	4		
1992201	IPCV 16/ 5-GF-10,16 GY NZ02440	5	6		
1969739	IPCV 16/ 6-G-10,16	4	5		
1969810	IPCV 16/ 6-GF-10,16	3	4		
1969742	IPCV 16/ 7-G-10,16	3	4		
1969823	IPCV 16/ 7-GF-10,16	3	4		
1969755	IPCV 16/ 8-G-10,16	3	4		
1969836	IPCV 16/ 8-GF-10,16	3	4		
1969768	IPCV 16/ 9-G-10,16	3	4		
1969849	IPCV 16/ 9-GF-10,16	3	4		
1701456	DFK-PC 6-16/ 2-G-10,16	1	2		
1701537	DFK-PC 6-16/ 2-GF-10,16	1	2		
1701935	DFK-PC 6-16/ 2-GF-SH-10,16	1	2		
1701469	DFK-PC 6-16/ 3-G-10,16	1	2		
1701540	DFK-PC 6-16/ 3-GF-10,16	1	2		
1701948	DFK-PC 6-16/ 3-GF-SH-10,16	1	2		
1703260	DFK-PC 6-16/ 3-GF-SH-10,16 BK	0	1		
1701472	DFK-PC 6-16/ 4-G-10,16	1	2		
1701553	DFK-PC 6-16/ 4-GF-10,16	1	2		
1701951	DFK-PC 6-16/ 4-GF-SH-10,16	1	2		
1703261	DFK-PC 6-16/ 4-GF-SH-10,16 BK	0	1		
1701485	DFK-PC 6-16/ 5-G-10,16	1	2		

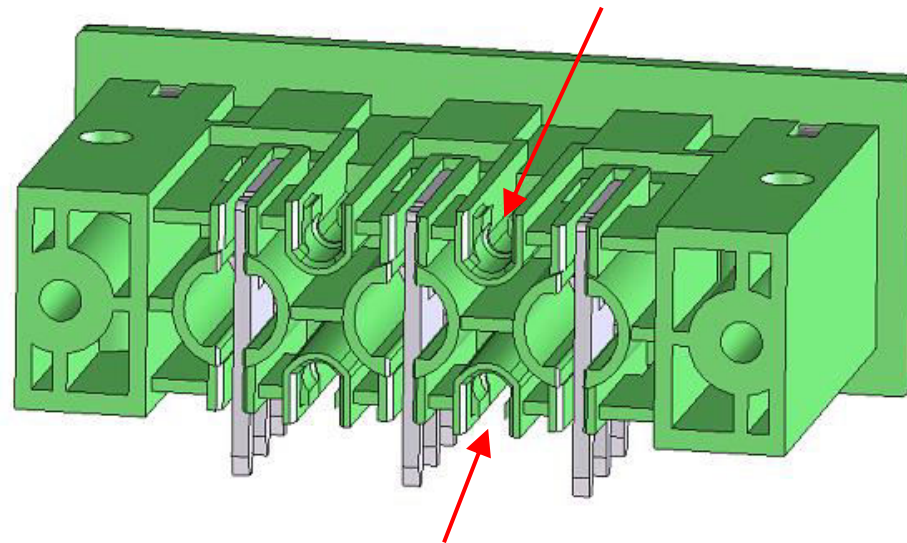
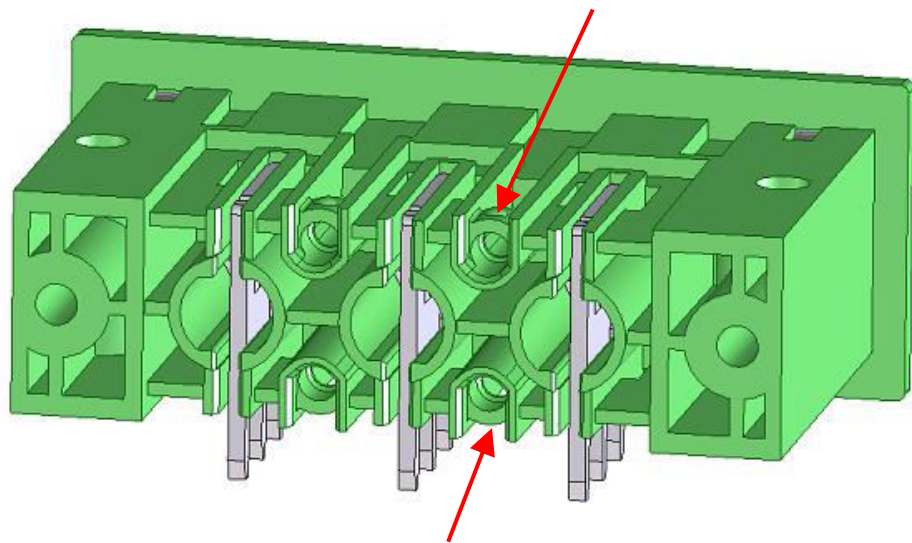
Art.-Nr.	Artikel Typ	Revision/Versionscharge		Art.-Nr.	Ersatzartikel Typ
		alt	neu		
1701566	DFK-PC 6-16/ 5-GF-10,16	1	2		
1701964	DFK-PC 6-16/ 5-GF-SH-10,16	1	2		
1701498	DFK-PC 6-16/ 6-G-10,16	1	2		
1701579	DFK-PC 6-16/ 6-GF-10,16	1	2		
1701977	DFK-PC 6-16/ 6-GF-SH-10,16	1	2		
1701508	DFK-PC 6-16/ 7-G-10,16	1	2		
1701582	DFK-PC 6-16/ 7-GF-10,16	1	2		
1701980	DFK-PC 6-16/ 7-GF-SH-10,16	1	2		
1701511	DFK-PC 6-16/ 8-G-10,16	1	2		
1701595	DFK-PC 6-16/ 8-GF-10,16	1	2		
1701993	DFK-PC 6-16/ 8-GF-SH-10,16	1	2		
1701524	DFK-PC 6-16/ 9-G-10,16	1	2		
1701605	DFK-PC 6-16/ 9-GF-10,16	1	2		
1702002	DFK-PC 6-16/ 9-GF-SH-10,16	1	2		

CAA190016 comparison

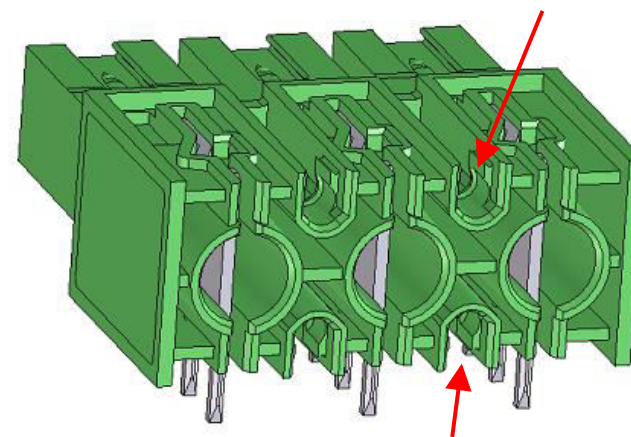
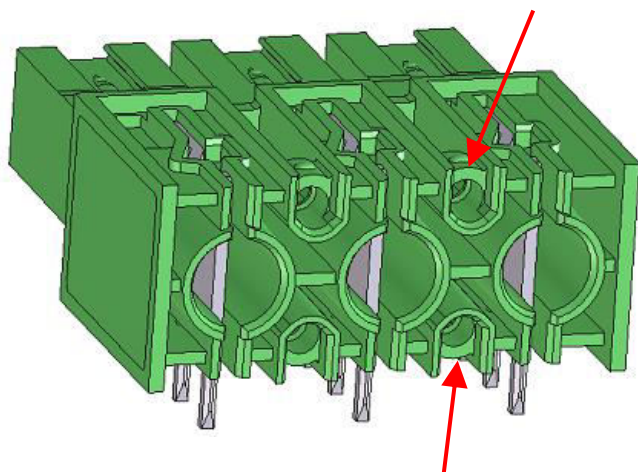
old

new

DFK-PC 6-16/..-G..



IPC(V) 16/..-G..



Item no.;Type;old;new;Substitute Item;Replacement product designation;eCl@ss 11.0;

1969535;IPC 16/ 2-G-10	16;4;5;;27460201;
1733819;IPC 16/ 2-G-10	16 BK;2;3;;;27460201;
1745179;IPC 16/ 2-G-10	16 YE;2;3;;;27460201;
1969616;IPC 16/ 2-GF-10	16;3;4;;27460201;
1705611;IPC 16/ 2-GF-10	16 GY;0;1;;;27460201;
1969933;IPC 16/ 2-GFU-10	16;3;4;;27460201;
1969852;IPC 16/ 2-GU-10	16;3;4;;27460201;
1969548;IPC 16/ 3-G-10	16;5;6;;27460201;
1751079;IPC 16/ 3-G-10	16 1CSS1;2;3;;;27460201;
1733822;IPC 16/ 3-G-10	16 BK;2;3;;;27460201;
1793121;IPC 16/ 3-G-10	16 GY;0;1;;;27460201;
1969629;IPC 16/ 3-GF-10	16;3;4;;27460201;
1018095;IPC 16/ 3-GF-10	16 GY;0;1;;;27460201;
1969946;IPC 16/ 3-GFU-10	16;3;4;;27460201;
1969865;IPC 16/ 3-GU-10	16;3;4;;27460201;
1969551;IPC 16/ 4-G-10	16;4;5;;27460201;
1730087;IPC 16/ 4-G-10	16 BK;2;3;;;27460201;
1704472;IPC 16/ 4-G-10	16 OG;0;1;;;27460201;
1969632;IPC 16/ 4-GF-10	16;3;4;;27460201;
1969959;IPC 16/ 4-GFU-10	16;3;4;;27460201;
1969878;IPC 16/ 4-GU-10	16;3;4;;27460201;
1969564;IPC 16/ 5-G-10	16;3;4;;27460201;
1969645;IPC 16/ 5-GF-10	16;3;4;;27460201;
1710038;IPC 16/ 5-GF-10	16 BK;0;1;;;27460201;
1969962;IPC 16/ 5-GFU-10	16;3;4;;27460201;
1969881;IPC 16/ 5-GU-10	16;3;4;;27460201;
1969577;IPC 16/ 6-G-10	16;3;4;;27460201;
1793095;IPC 16/ 6-G-10	16 GY;0;1;;;27460201;
1969658;IPC 16/ 6-GF-10	16;3;4;;27460201;
1969975;IPC 16/ 6-GFU-10	16;3;4;;27460201;
1969894;IPC 16/ 6-GU-10	16;3;4;;27460201;
1969580;IPC 16/ 7-G-10	16;3;4;;27460201;
1733903;IPC 16/ 7-G-10	16 GY;2;3;;;27460201;
1969661;IPC 16/ 7-GF-10	16;3;4;;27460201;
1969988;IPC 16/ 7-GFU-10	16;3;4;;27460201;
1969904;IPC 16/ 7-GU-10	16;3;4;;27460201;
1969593;IPC 16/ 8-G-10	16;3;4;;27460201;
1702608;IPC 16/ 8-G-10	16 BK;0;1;;;27460201;
1969674;IPC 16/ 8-GF-10	16;3;4;;27460201;
1969991;IPC 16/ 8-GFU-10	16;3;4;;27460201;
1969917;IPC 16/ 8-GU-10	16;3;4;;27460201;
1969603;IPC 16/ 9-G-10	16;3;4;;27460201;
1969687;IPC 16/ 9-GF-10	16;3;4;;27460201;
1970003;IPC 16/ 9-GFU-10	16;3;4;;27460201;
1969920;IPC 16/ 9-GU-10	16;3;4;;27460201;
1969690;PCV 16/ 2-G-10	16;5;6;;27460201;
1969771;PCV 16/ 2-GF-10	16;3;4;;27460201;
1969700;PCV 16/ 3-G-10	16;3;4;;27460201;
1703520;PCV 16/ 3-G-10	16 GY;0;1;;;27460201;
1969784;PCV 16/ 3-GF-10	16;4;5;;27460201;
1969713;PCV 16/ 4-G-10	16;4;5;;27460201;
1749120;PCV 16/ 4-G-10	16 PA1
1969797;PCV 16/ 4-GF-10	16;3;4;;27460201;
1700967;PCV 16/ 4-GF-10	16 GY NZ1641;1;2;;;27460201;
1969726;PCV 16/ 5-G-10	16;3;4;;27460201;
1969807;PCV 16/ 5-GF-10	16;3;4;;27460201;
1992201;PCV 16/ 5-GF-10	16 GY NZ02440;5;6;;;27460201;
1969739;PCV 16/ 6-G-10	16;4;5;;27460201;
1969810;PCV 16/ 6-GF-10	16;3;4;;27460201;
1969742;PCV 16/ 7-G-10	16;3;4;;27460201;
1969823;PCV 16/ 7-GF-10	16;3;4;;27460201;
1969755;PCV 16/ 8-G-10	16;3;4;;27460201;
1969836;PCV 16/ 8-GF-10	16;3;4;;27460201;
1969768;PCV 16/ 9-G-10	16;3;4;;27460201;
1969849;PCV 16/ 9-GF-10	16;3;4;;27460201;
1701456;DFK-PC 6-16/ 2-G-10	16;1;2;;27460201;
1701537;DFK-PC 6-16/ 2-GF-10	16;1;2;;27460201;
1701935;DFK-PC 6-16/ 2-GF-SH-10	16;1;2;;27460201;
1701469;DFK-PC 6-16/ 3-G-10	16;1;2;;27460201;
1701540;DFK-PC 6-16/ 3-GF-10	16;1;2;;27460201;
1701948;DFK-PC 6-16/ 3-GF-SH-10	16;1;2;;27460201;
1703260;DFK-PC 6-16/ 3-GF-SH-10	16 BK;0;1;;;27460201;
1701472;DFK-PC 6-16/ 4-G-10	16;1;2;;27460201;
1701553;DFK-PC 6-16/ 4-GF-10	16;1;2;;27460201;
1701951;DFK-PC 6-16/ 4-GF-SH-10	16;1;2;;27460201;
1703261;DFK-PC 6-16/ 4-GF-SH-10	16 BK;0;1;;;27460201;
1701485;DFK-PC 6-16/ 5-G-10	16;1;2;;27460201;
1701566;DFK-PC 6-16/ 5-GF-10	16;1;2;;27460201;
1701964;DFK-PC 6-16/ 5-GF-SH-10	16;1;2;;27460201;
1701498;DFK-PC 6-16/ 6-G-10	16;1;2;;27460201;
1701579;DFK-PC 6-16/ 6-GF-10	16;1;2;;27460201;
1701977;DFK-PC 6-16/ 6-GF-SH-10	16;1;2;;27460201;
1701508;DFK-PC 6-16/ 7-G-10	16;1;2;;27460201;
1701582;DFK-PC 6-16/ 7-GF-10	16;1;2;;27460201;
1701980;DFK-PC 6-16/ 7-GF-SH-10	16;1;2;;27460201;
1701511;DFK-PC 6-16/ 8-G-10	16;1;2;;27460201;
1701595;DFK-PC 6-16/ 8-GF-10	16;1;2;;27460201;
1701993;DFK-PC 6-16/ 8-GF-SH-10	16;1;2;;27460201;
1701524;DFK-PC 6-16/ 9-G-10	16;1;2;;27460201;
1701605;DFK-PC 6-16/ 9-GF-10	16;1;2;;27460201;

2 4;2;3;;;27460201;

1702002;DFK-PC 6-16/ 9-GF-SH-10

16;1;2;;;27460201;

Phoenix Contact Art.Nr.;Phoenix Contact Art.Bez.;Bemerkung

1969535	;IPC 16/ 2-G-10	16;HW/FW alt: 4	HW/FW neu: 5	eCl@ss 11.0: 27460201
1733819	;IPC 16/ 2-G-10	16 BK;HW/FW alt: 2	HW/FW neu: 3	eCl@ss 11.0: 27460201
1745179	;IPC 16/ 2-G-10	16 YE;HW/FW alt: 2	HW/FW neu: 3	eCl@ss 11.0: 27460201
1969616	;IPC 16/ 2-GF-10	16;HW/FW alt: 3	HW/FW neu: 4	eCl@ss 11.0: 27460201
1705611	;IPC 16/ 2-GF-10	16 GY;HW/FW alt: 0	HW/FW neu: 1	eCl@ss 11.0: 27460201
1969933	;IPC 16/ 2-GFU-10	16;HW/FW alt: 3	HW/FW neu: 4	eCl@ss 11.0: 27460201
1969852	;IPC 16/ 2-GU-10	16;HW/FW alt: 3	HW/FW neu: 4	eCl@ss 11.0: 27460201
1969548	;IPC 16/ 3-G-10	16;HW/FW alt: 5	HW/FW neu: 6	eCl@ss 11.0: 27460201
1751079	;IPC 16/ 3-G-10	16 1CSS1;HW/FW alt: 2	HW/FW neu: 3	eCl@ss 11.0: 27460201
1733822	;IPC 16/ 3-G-10	16 BK;HW/FW alt: 2	HW/FW neu: 3	eCl@ss 11.0: 27460201
1793121	;IPC 16/ 3-G-10	16 GY;HW/FW alt: 0	HW/FW neu: 1	eCl@ss 11.0: 27460201
1969629	;IPC 16/ 3-GF-10	16;HW/FW alt: 3	HW/FW neu: 4	eCl@ss 11.0: 27460201
1018095	;IPC 16/ 3-GF-10	16 GY;HW/FW alt: 0	HW/FW neu: 1	eCl@ss 11.0: 27460201
1969946	;IPC 16/ 3-GFU-10	16;HW/FW alt: 3	HW/FW neu: 4	eCl@ss 11.0: 27460201
1969865	;IPC 16/ 3-GU-10	16;HW/FW alt: 3	HW/FW neu: 4	eCl@ss 11.0: 27460201
1969551	;IPC 16/ 4-G-10	16;HW/FW alt: 4	HW/FW neu: 5	eCl@ss 11.0: 27460201
1730087	;IPC 16/ 4-G-10	16 BK;HW/FW alt: 2	HW/FW neu: 3	eCl@ss 11.0: 27460201
1704472	;IPC 16/ 4-G-10	16 OG;HW/FW alt: 0	HW/FW neu: 1	eCl@ss 11.0: 27460201
1969632	;IPC 16/ 4-GF-10	16;HW/FW alt: 3	HW/FW neu: 4	eCl@ss 11.0: 27460201
1969959	;IPC 16/ 4-GFU-10	16;HW/FW alt: 3	HW/FW neu: 4	eCl@ss 11.0: 27460201
1969878	;IPC 16/ 4-GU-10	16;HW/FW alt: 3	HW/FW neu: 4	eCl@ss 11.0: 27460201
1969564	;IPC 16/ 5-G-10	16;HW/FW alt: 3	HW/FW neu: 4	eCl@ss 11.0: 27460201
1969645	;IPC 16/ 5-GF-10	16;HW/FW alt: 3	HW/FW neu: 4	eCl@ss 11.0: 27460201
1710038	;IPC 16/ 5-GF-10	16 BK;HW/FW alt: 0	HW/FW neu: 1	eCl@ss 11.0: 27460201
1969962	;IPC 16/ 5-GFU-10	16;HW/FW alt: 3	HW/FW neu: 4	eCl@ss 11.0: 27460201
1969881	;IPC 16/ 5-GU-10	16;HW/FW alt: 3	HW/FW neu: 4	eCl@ss 11.0: 27460201
1969577	;IPC 16/ 6-G-10	16;HW/FW alt: 3	HW/FW neu: 4	eCl@ss 11.0: 27460201
1793095	;IPC 16/ 6-G-10	16 GY;HW/FW alt: 0	HW/FW neu: 1	eCl@ss 11.0: 27460201
1969658	;IPC 16/ 6-GF-10	16;HW/FW alt: 3	HW/FW neu: 4	eCl@ss 11.0: 27460201
1969975	;IPC 16/ 6-GFU-10	16;HW/FW alt: 3	HW/FW neu: 4	eCl@ss 11.0: 27460201
1969894	;IPC 16/ 6-GU-10	16;HW/FW alt: 3	HW/FW neu: 4	eCl@ss 11.0: 27460201
1969580	;IPC 16/ 7-G-10	16;HW/FW alt: 3	HW/FW neu: 4	eCl@ss 11.0: 27460201
1733903	;IPC 16/ 7-G-10	16 GY;HW/FW alt: 2	HW/FW neu: 3	eCl@ss 11.0: 27460201
1969661	;IPC 16/ 7-GF-10	16;HW/FW alt: 3	HW/FW neu: 4	eCl@ss 11.0: 27460201
1969988	;IPC 16/ 7-GFU-10	16;HW/FW alt: 3	HW/FW neu: 4	eCl@ss 11.0: 27460201
1969904	;IPC 16/ 7-GU-10	16;HW/FW alt: 3	HW/FW neu: 4	eCl@ss 11.0: 27460201
1969593	;IPC 16/ 8-G-10	16;HW/FW alt: 3	HW/FW neu: 4	eCl@ss 11.0: 27460201
1702608	;IPC 16/ 8-G-10	16 BK;HW/FW alt: 0	HW/FW neu: 1	eCl@ss 11.0: 27460201
1969674	;IPC 16/ 8-GF-10	16;HW/FW alt: 3	HW/FW neu: 4	eCl@ss 11.0: 27460201
1969991	;IPC 16/ 8-GFU-10	16;HW/FW alt: 3	HW/FW neu: 4	eCl@ss 11.0: 27460201
1969917	;IPC 16/ 8-GU-10	16;HW/FW alt: 3	HW/FW neu: 4	eCl@ss 11.0: 27460201
1969603	;IPC 16/ 9-G-10	16;HW/FW alt: 3	HW/FW neu: 4	eCl@ss 11.0: 27460201
1969687	;IPC 16/ 9-GF-10	16;HW/FW alt: 3	HW/FW neu: 4	eCl@ss 11.0: 27460201
1970003	;IPC 16/ 9-GFU-10	16;HW/FW alt: 3	HW/FW neu: 4	eCl@ss 11.0: 27460201
1969920	;IPC 16/ 9-GU-10	16;HW/FW alt: 3	HW/FW neu: 4	eCl@ss 11.0: 27460201
1969690	;IPCV 16/ 2-G-10	16;HW/FW alt: 5	HW/FW neu: 6	eCl@ss 11.0: 27460201
1969771	;IPCV 16/ 2-GF-10	16;HW/FW alt: 3	HW/FW neu: 4	eCl@ss 11.0: 27460201
1969700	;IPCV 16/ 3-G-10	16;HW/FW alt: 3	HW/FW neu: 4	eCl@ss 11.0: 27460201
1703520	;IPCV 16/ 3-G-10	16 GY;HW/FW alt: 0	HW/FW neu: 1	eCl@ss 11.0: 27460201
1969784	;IPCV 16/ 3-GF-10	16;HW/FW alt: 4	HW/FW neu: 5	eCl@ss 11.0: 27460201
1969713	;IPCV 16/ 4-G-10	16;HW/FW alt: 4	HW/FW neu: 5	eCl@ss 11.0: 27460201
1749120	;IPCV 16/ 4-G-10	16 PA1	2 4;HW/FW alt: 2	HW/FW neu: 3 eCl@ss 11.0: 27460201
1969797	;IPCV 16/ 4-GF-10	16;HW/FW alt: 3	HW/FW neu: 4	eCl@ss 11.0: 27460201
1700967	;IPCV 16/ 4-GF-10	16 GY NZ1641;HW/FW alt: 1	HW/FW neu: 2	eCl@ss 11.0: 27460201
1969726	;IPCV 16/ 5-G-10	16;HW/FW alt: 3	HW/FW neu: 4	eCl@ss 11.0: 27460201
1969807	;IPCV 16/ 5-GF-10	16;HW/FW alt: 3	HW/FW neu: 4	eCl@ss 11.0: 27460201
1992201	;IPCV 16/ 5-GF-10	16 GY NZ02440;HW/FW alt: 5	HW/FW neu: 6	eCl@ss 11.0: 27460201
1969739	;IPCV 16/ 6-G-10	16;HW/FW alt: 4	HW/FW neu: 5	eCl@ss 11.0: 27460201
1969810	;IPCV 16/ 6-GF-10	16;HW/FW alt: 3	HW/FW neu: 4	eCl@ss 11.0: 27460201
1969742	;IPCV 16/ 7-G-10	16;HW/FW alt: 3	HW/FW neu: 4	eCl@ss 11.0: 27460201
1969823	;IPCV 16/ 7-GF-10	16;HW/FW alt: 3	HW/FW neu: 4	eCl@ss 11.0: 27460201
1969755	;IPCV 16/ 8-G-10	16;HW/FW alt: 3	HW/FW neu: 4	eCl@ss 11.0: 27460201
1969836	;IPCV 16/ 8-GF-10	16;HW/FW alt: 3	HW/FW neu: 4	eCl@ss 11.0: 27460201
1969768	;IPCV 16/ 9-G-10	16;HW/FW alt: 3	HW/FW neu: 4	eCl@ss 11.0: 27460201
1969849	;IPCV 16/ 9-GF-10	16;HW/FW alt: 3	HW/FW neu: 4	eCl@ss 11.0: 27460201
1701456	;DFK-PC 6-16/ 2-G-10	16;HW/FW alt: 1	HW/FW neu: 2	eCl@ss 11.0: 27460201
1701537	;DFK-PC 6-16/ 2-GF-10	16;HW/FW alt: 1	HW/FW neu: 2	eCl@ss 11.0: 27460201
1701935	;DFK-PC 6-16/ 2-GF-SH-10	16;HW/FW alt: 1	HW/FW neu: 2	eCl@ss 11.0: 27460201
1701469	;DFK-PC 6-16/ 3-G-10	16;HW/FW alt: 1	HW/FW neu: 2	eCl@ss 11.0: 27460201
1701540	;DFK-PC 6-16/ 3-GF-10	16;HW/FW alt: 1	HW/FW neu: 2	eCl@ss 11.0: 27460201
1701948	;DFK-PC 6-16/ 3-GF-SH-10	16;HW/FW alt: 1	HW/FW neu: 2	eCl@ss 11.0: 27460201
1703260	;DFK-PC 6-16/ 3-GF-SH-10	16 BK;HW/FW alt: 0	HW/FW neu: 1	eCl@ss 11.0: 27460201
1701472	;DFK-PC 6-16/ 4-G-10	16;HW/FW alt: 1	HW/FW neu: 2	eCl@ss 11.0: 27460201
1701553	;DFK-PC 6-16/ 4-GF-10	16;HW/FW alt: 1	HW/FW neu: 2	eCl@ss 11.0: 27460201
1701951	;DFK-PC 6-16/ 4-GF-SH-10	16;HW/FW alt: 1	HW/FW neu: 2	eCl@ss 11.0: 27460201
1703261	;DFK-PC 6-16/ 4-GF-SH-10	16 BK;HW/FW alt: 0	HW/FW neu: 1	eCl@ss 11.0: 27460201
1701485	;DFK-PC 6-16/ 5-G-10	16;HW/FW alt: 1	HW/FW neu: 2	eCl@ss 11.0: 27460201
1701566	;DFK-PC 6-16/ 5-GF-10	16;HW/FW alt: 1	HW/FW neu: 2	eCl@ss 11.0: 27460201
1701964	;DFK-PC 6-16/ 5-GF-SH-10	16;HW/FW alt: 1	HW/FW neu: 2	eCl@ss 11.0: 27460201
1701498	;DFK-PC 6-16/ 6-G-10	16;HW/FW alt: 1	HW/FW neu: 2	eCl@ss 11.0: 27460201
1701579	;DFK-PC 6-16/ 6-GF-10	16;HW/FW alt: 1	HW/FW neu: 2	eCl@ss 11.0: 27460201
1701977	;DFK-PC 6-16/ 6-GF-SH-10	16;HW/FW alt: 1	HW/FW neu: 2	eCl@ss 11.0: 27460201
1701508	;DFK-PC 6-16/ 7-G-10	16;HW/FW alt: 1	HW/FW neu: 2	eCl@ss 11.0: 27460201
1701582	;DFK-PC 6-16/ 7-GF-10	16;HW/FW alt: 1	HW/FW neu: 2	eCl@ss 11.0: 27460201
1701980	;DFK-PC 6-16/ 7-GF-SH-10	16;HW/FW alt: 1	HW/FW neu: 2	eCl@ss 11.0: 27460201
1701511	;DFK-PC 6-16/ 8-G-10	16;HW/FW alt: 1	HW/FW neu: 2	eCl@ss 11.0: 27460201
1701595	;DFK-PC 6-16/ 8-GF-10	16;HW/FW alt: 1	HW/FW neu: 2	eCl@ss 11.0: 27460201
1701993	;DFK-PC 6-16/ 8-GF-SH-10	16;HW/FW alt: 1	HW/FW neu: 2	eCl@ss 11.0: 27460201
1701524	;DFK-PC 6-16/ 9-G-10	16;HW/FW alt: 1	HW/FW neu: 2	eCl@ss 11.0: 27460201
1701605	;DFK-PC 6-16/ 9-GF-10	16;HW/FW alt: 1	HW/FW neu: 2	eCl@ss 11.0: 27460201

1702002

;DFK-PC 6-16/ 9-GF-SH-10

16;HW/FW alt: 1

HW/FW neu: 2 eCl@ss 11.0: 27460201

Kunde;Name 1;Name 2;Name 3;Name 4;Straße;PLZ;Stadt;Phoenix Contact Art.Nr.;Phoenix Contact Art.Bez.;Ihre Materialnr.;Menge 2021 ST;Menge 2022 ST;Menge 2023 ST;AE 2023 ST
49786 ;TI Inc.;;Ganghoferstraße 34;82216;Maisach;1969904 16;PHX1969904;;250 ST;0 ST;150 ST
49786 ;TI Inc.;;Ganghoferstraße 34;82216;Maisach;1701537 16;PHX1701537;1.220 ST;;