

Product change notification (PCN)

Title / short description Changes to the plastic housings
Affected article category PCB terminal blocks and PCB connectors
Change category Form and appearance
Change number CAA190055-
Reason for PCN/PDN Revision

Purpose/objective of the change

Housing change

Detailed description of the change

For horizontal items, the geometric shape of the bottom is being changed. For vertical items, the side area is being changed.

Identifying characteristics

Start of Production (SOP)	-	Last Time Delivery (LTD)	-
Effective date (EOP)	2023-06-01	End of Service (EOSR)	-
End of Sales (EOS)	-		

Short-term change (< 6 months) or discontinuation (< 12 months), due to:

- | | | |
|-----------------------------------------------------|---------------------------------------------------------------------|--------------------------------------------------------|
| <input type="checkbox"/> Software / Firmware Bugfix | <input type="checkbox"/> Short-term delivery stop by supplier | <input type="checkbox"/> Short-term recall by supplier |
| <input type="checkbox"/> Force majeure | <input type="checkbox"/> Product improvement with customer benefits | |
| <input type="checkbox"/> Others | | |

Attachments

- MCD_OLD_NEW.jpg
- Material_list.csv
- PCN-CAA190055- Veränderungen an den Kunststoffgehäusen_DE
- PCN-CAA190055- Changes to the plastic housings_EN

Material list

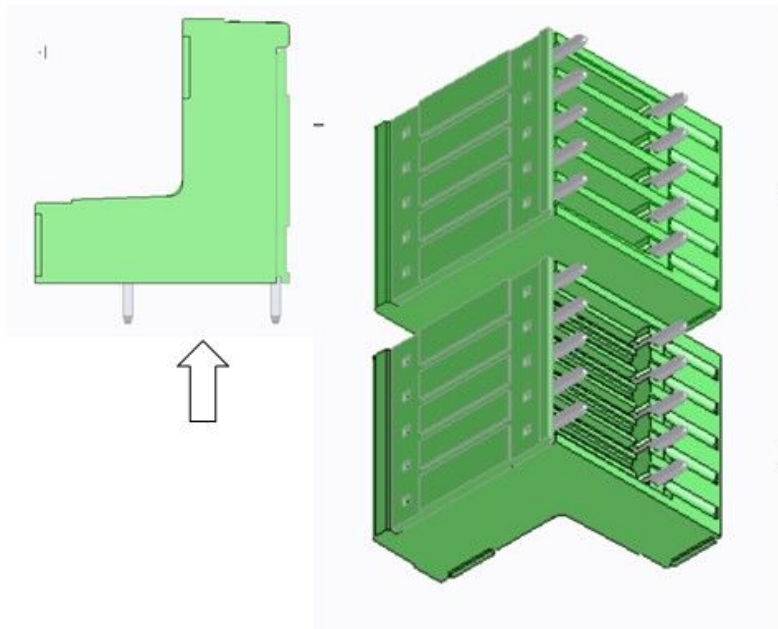
Item no.	Item Type	Hardware old	Firmware new	Item no.	Substitute item Type
1032489	MCD 1,5/ 4-G1-3,81 GY	0	1		
1054647	MCD 1,5/ 6-G1F-3,81 AU	0	1		
1098796	MCD 1,5/ 3-G1-3,81 GY	0	1		
1102057	MCD 1,5/10-G1F-3,81 BK	0	1		
1102064	MCD 1,5/16-G1F-3,81 BK	0	1		
1180647	MCD 1,5/ 3-G1F-3,81 BK	0	1		
1182804	MCD 1,5/ 8-G1F-3,81 GY	0	1		
1182805	MCD 1,5/15-G1F-3,81 GY	0	1		
1227629	MCD 1,5/ 3-G-3,81 2BD:1B-3A	0	1		
1354891	MCD 1,5/ 8-G1F-3,81BK2CPBD-9MQ	0	1		
1354893	MCD 1,5/ 8-G1F-3,81BK2CPBD43MQ	0	1		
1354895	MCD 1,5/ 9-G1F-3,81BK2CPBD26MQ	0	1		
1701446	MCD 1,5/ 4-G-3,81 GY7035	0	1		
1701448	MCD 1,5/ 6-G-3,81 GY7035	0	1		
1701925	MCD 1,5/12-G-3,81 GY7035	0	1		
1702367	MCD 1,5/ 6-G1-3,81 OG	0	1		
1702556	MCD 1,5/ 3-G-3,81 GY7035	0	1		
1703156	MCD 1,5/ 9-G1F-3,81 CP1,18	0	1		
1703159	MCD 1,5/16-G1F-3,81 CP1,32	0	1		
1703161	MCD 1,5/ 9-G1F-3,81 CP2,17	0	1		
1703452	MCD 1,5/ 2-G1F-3,81 AU	0	1		
1703850	MCD 1,5/ 2-G1-3,81 GY CP1,4	0	1		
1703851	MCD 1,5/ 2-G1-3,81 GY CP2,3	0	1		
1704360	MCD 1,5/12-G1-3,81 GY	0	1		
1704480	MCD 1,5/ 8-G1F-3,81 AU	0	1		
1704980	MCD 1,5/ 4-G1-3,81 AU	0	1		
1705574	MCD 1,5/10-G-3,81 GY7035	0	1		
1705989	MCD 1,5/ 4-G-3,81 CP 3,6	1	2		
1705990	MCD 1,5/13-G-3,81 5CP	1	2		
1705991	MCD 1,5/ 8-G-3,81 CP 7,10	1	2		
1706875	MCD 1,5/12-G1-3,81 OG	0	1		
1708118	MCD 1,5/ 6-G1-3,81 BK AU	0	1		
1713858	MCD 1,5/ 6-G1-3,81 2CP BD:-42	0	1		
1717207	MCD 1,5/ 5-G1F-3,81 GY	0	1		
1717209	MCD 1,5/10-G1F-3,81 GY	0	1		
1717210	MCD 1,5/16-G1F-3,81 GY	0	1		
1727003	MCD 1,5/ 8-G1-3,81 GY	0	1		
1732658	MCD 1,5/14-G1F-3,81 BK	1	2		

Item no.	Item Type	Hardware / Firmware		Item no.	Substitute item Type
		old	new		
1752476	MCD 1,5/12-G-3,81 BDNZ:522	0	1		
1761292	MCD 1,5/13-G1-3,81 BK AU	0	1		
1800341	MCD 1,5/ 4-G-3,81 BK	0	1		
1800345	MCD 1,5/ 8-G-3,81 BK	0	1		
1800347	MCD 1,5/10-G-3,81 BK	0	1		
1800355	MCD 1,5/ 2-G1-3,81 BK	0	1		
1800356	MCD 1,5/ 4-G1-3,81 BK	0	1		
1800357	MCD 1,5/ 6-G1-3,81 BK	0	1		
1800359	MCD 1,5/ 8-G1-3,81 BK	0	1		
1800360	MCD 1,5/ 9-G1-3,81 BK	0	1		
1800366	MCD 1,5/16-G1-3,81 BK	0	1		
1812513	MCD 1,5/ 9-G1-3,81 OG	0	1		
1829950	MCD 1,5/ 2-G-3,81	0	1		
1829963	MCD 1,5/ 3-G-3,81	0	1		
1829976	MCD 1,5/ 4-G-3,81	0	1		
1829989	MCD 1,5/ 5-G-3,81	0	1		
1829992	MCD 1,5/ 6-G-3,81	0	1		
1830004	MCD 1,5/ 7-G-3,81	0	1		
1830017	MCD 1,5/ 8-G-3,81	0	1		
1830020	MCD 1,5/ 9-G-3,81	0	1		
1830033	MCD 1,5/10-G-3,81	0	1		
1830046	MCD 1,5/11-G-3,81	0	1		
1830059	MCD 1,5/12-G-3,81	0	1		
1830062	MCD 1,5/13-G-3,81	0	1		
1830075	MCD 1,5/14-G-3,81	0	1		
1830088	MCD 1,5/15-G-3,81	0	1		
1830091	MCD 1,5/16-G-3,81	0	1		
1830101	MCD 1,5/ 2-GF-3,81	1	2		
1830114	MCD 1,5/ 3-GF-3,81	1	2		
1830127	MCD 1,5/ 4-GF-3,81	1	2		
1830130	MCD 1,5/ 5-GF-3,81	1	2		
1830143	MCD 1,5/ 6-GF-3,81	1	2		
1830156	MCD 1,5/ 7-GF-3,81	1	2		
1830169	MCD 1,5/ 8-GF-3,81	1	2		
1830172	MCD 1,5/ 9-GF-3,81	1	2		
1830185	MCD 1,5/10-GF-3,81	1	2		
1830198	MCD 1,5/11-GF-3,81	1	2		
1830208	MCD 1,5/12-GF-3,81	1	2		
1830211	MCD 1,5/13-GF-3,81	1	2		

Item no.	Item Type	Hardware old	Firmware new	Item no.	Substitute item Type
1830224	MCD 1,5/14-GF-3,81	1	2		
1830237	MCD 1,5/15-GF-3,81	1	2		
1830240	MCD 1,5/16-GF-3,81	1	2		
1842911	MCD 1,5/ 2-G1F-3,81	1	2		
1842924	MCD 1,5/ 3-G1F-3,81	1	2		
1842937	MCD 1,5/ 4-G1F-3,81	1	2		
1842940	MCD 1,5/ 5-G1F-3,81	1	2		
1842953	MCD 1,5/ 6-G1F-3,81	1	2		
1842966	MCD 1,5/ 7-G1F-3,81	1	2		
1842979	MCD 1,5/ 8-G1F-3,81	1	2		
1842982	MCD 1,5/ 9-G1F-3,81	1	2		
1842995	MCD 1,5/10-G1F-3,81	1	2		
1843004	MCD 1,5/11-G1F-3,81	1	2		
1843017	MCD 1,5/12-G1F-3,81	1	2		
1843033	MCD 1,5/13-G1F-3,81	1	2		
1843046	MCD 1,5/14-G1F-3,81	1	2		
1843059	MCD 1,5/15-G1F-3,81	1	2		
1843062	MCD 1,5/16-G1F-3,81	1	2		
1843075	MCD 1,5/ 2-G1-3,81	0	1		
1843088	MCD 1,5/ 3-G1-3,81	0	1		
1843091	MCD 1,5/ 4-G1-3,81	0	1		
1843101	MCD 1,5/ 5-G1-3,81	0	1		
1843114	MCD 1,5/ 6-G1-3,81	0	1		
1843127	MCD 1,5/ 7-G1-3,81	0	1		
1843130	MCD 1,5/ 8-G1-3,81	0	1		
1843143	MCD 1,5/ 9-G1-3,81	0	1		
1843156	MCD 1,5/10-G1-3,81	0	1		
1843169	MCD 1,5/11-G1-3,81	0	1		
1843172	MCD 1,5/12-G1-3,81	0	1		
1843185	MCD 1,5/13-G1-3,81	0	1		
1843198	MCD 1,5/14-G1-3,81	0	1		
1843208	MCD 1,5/15-G1-3,81	0	1		
1843211	MCD 1,5/16-G1-3,81	0	1		
1846275	MCD 1,5/13-G1-3,81 GY	0	1		
1850107	MCD 1,5/ 8-G-3,81 GY X100/1CU1	0	1		
1850110	MCD 1,5/12-G-3,81 GY X100/1CU2	0	1		
1850123	MCD 1,5/10-G-3,81 GY X102/3CU2	0	1		
1859755	MCD 1,5/ 5-G1-3,81 BK	0	1		
1859768	MCD 1,5/10-G1-3,81 BK	0	1		

Item no.	Item Type	Hardware old	Firmware new	Item no.	Substitute item Type
1880782	MCD 1,5/10-G1-3,81 AU	0	1		
1880818	MCD 1,5/ 3-G1-3,81 BK	0	1		
1896420	MCD 1,5/ 8-G1-3,81 AU BS89140Q	0	1		
1896433	MCD 1,5/16-G1-3,81 AU BS89141Q	0	1		
1897982	MCD 1,5/10-G1-3,81 GY	0	1		
1901645	MCD 1,5/ 5-G1-3,81 GY	0	1		
1908486	MCD 1,5/10-G1F-3,81 AU	1	2		
1919161	MCD 1,5/10-G1-3,81BS1120/1-10I	0	1		
1924693	MCD 1,5/ 3-G1-3,81GYLNZE416279	0	1		
1924703	MCD 1,5/ 3-G1-3,81GYLNZE416278	0	1		
1924716	MCD 1,5/ 8-G1-3,81GYLENZ416280	0	1		
1937169	MCD 1,5/ 7-G1-3,81BS1-7/1-7IND	0	1		
1937172	MCD 1,5/ 9-G1-3,81BS1-9/1-9IND	0	1		
1937185	MCD 1,5/11-G1-3,81BS1-11/1-11I	0	1		
1948080	MCD 1,5/ 8-G1-3,81 HT BK	0	1		
1951682	MCD 1,5/ 4-G1-3,81 GY NZ451017	0	1		
1958368	MCD 1,5/ 6-G1-3,81 HT BK	0	1		
1962670	MCD 1,5/12-G1-3,81 BK	0	1		
1965746	MCD 1,5/ 8-G1-3,81 CP 8,10	0	1		

MCD 1,5/...Horizontal versions



MCDV 1,5/...Vertical versions

