

Product Change Notification

PCN-ICC-4469-2019

Business Unit	Product Line Code	Type of Change	Action	Date of Issue
ICC - Industrial Cabinet	BE2	Product Change Notification	Notify Distributors and Field	11/4/2019

The following Phoenix Contact products have been modified. Existing specifications will be met or exceeded. Please review and acknowledge this document and inform your personnel as needed.

Description for Product Change Notification

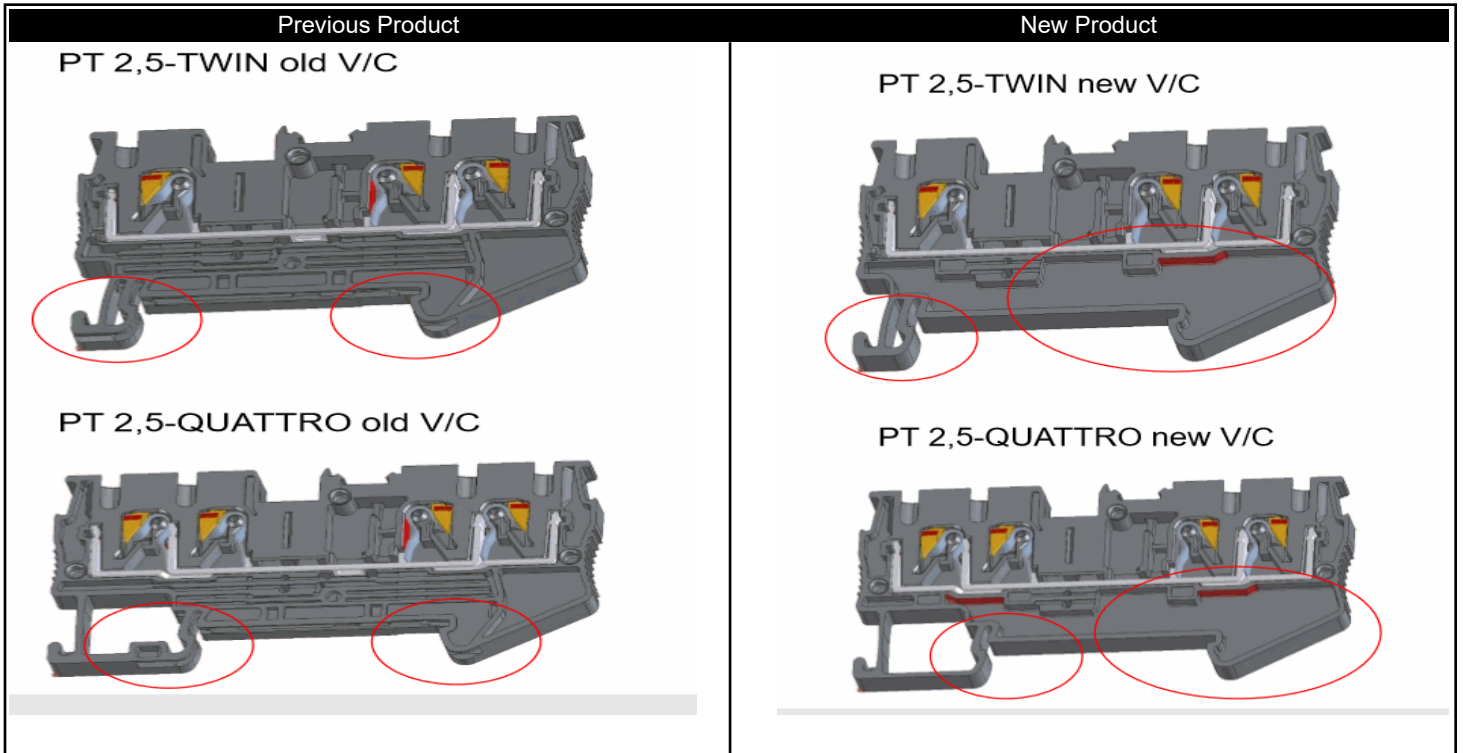
Housing change: removal of the groove for the -PE foot and the inner, lower rib structure on non-PE versions.

Stock Status

Can existing stock still be used?	Yes
Is mixture of stock acceptable?	No

Transaction Dates

Date modification goes into effect from Germany:	10/29/2019
Expected first shipment (from Phoenix Contact) of the modified products(s):	5/1/2020





Product Change Notification

Should you have any issues with the timeline or content of this product change, please contact Phoenix Contact using the information below. Customers should acknowledge receipt of the PCN within 30 days of delivery of the PCN; provided, however, that the failure to acknowledge receipt does not affect the product change or the effective date thereof.

Contact Info:

Cory Myer
cmyer@phoenixcontact.com

Thank you,

Alan P. Sappe'

Alan Sappe

Product Marketing Manager - Industrial Cabinet Conn.



Phoenix Contact Inc.
P.O. BOX 4100
Harrisburg, PA 17111-0100
Phone: 717-944-1300
Fax: 717-944-1625

Product Change Notification

Part #	Type Description
3209549	PT 2,5-TWIN
3209552	PT 2,5-TWIN BU
3211223	PT 2,5-TWIN RD
3209578	PT 2,5-QUATTRO
3209581	PT 2,5-QUATTRO BU
3209580	PT 2,5-QUATTRO RD