

Product Change Notification & Product Discontinuation Notification [PCN & PDN]

Manufacturer master data	
Company short name: Phoenix Contact	
Title / short description: UL approval added / change to the bag printing	
Type of notification: Product change notification	Issue date: 2019-1-11 Document ID: KBF140004
PCN format version: VDMA24903_1.0	Document Revision:
Company name: PHOENIX CONTACT GmbH & Co. KG	
Street: Flachsmarktstraße 8	Contact type: MANUFACTURER
ZIP code: 32825	Business Unit: Industrial Field Connectivity (IFC)
City: Blomberg	E-Mail: info@phoenixcontact.com
State: North-Rhine Westphalia	Country: DE

Cause of change

Phoenix Contact Product Category

- Connectors

Item category by VDMA 24903

- Connectors/cables

Item change type by VDMA 24903

- Packaging
- Marking

Item change type by smartPCN	
Group	Description of change
Packaging/shipping changes	Change of labelling

Short-term change (< 6 months) or discontinuation (< 12 months), due to:

- Software / Firmware Bugfix
- Short-term delivery stop by supplier
- Short-term recall by supplier
- Force majeure
- Product improvement with customer benefits
- Others

Life cycle data

Start of Production - SOP (optional)

End of Sales - EOS (optional)

End of production / Effective date - EOP (mandatory)

2019-01-01

Last Time Delivery - LTD (optional)

End of Service and Repair (EOSR) - (optional)

Description of change

Technical description – purpose

UL approval added.

Technical description – detail

Approval added

Identifying characteristics

Lot increase on packaging

Attachments

- KBF140004_PCN_SACC_PL_UL_en.pptx
- Material_list.csv
- PCNmaster_DE.pdf
- PCNmaster_EN.pdf

Material list

Item	Hardware / Firmware old	Hardware / Firmware new	Substitute item
1424649 SACC-M12MS-5PL M	1	2	
1424651 SACC-M12MR-5PL M	1	2	
1424652 SACC-M12FS-5PL M	1	2	
1424653 SACC-M12FR-5PL M	1	2	
1424658 SACC-M12MS-5PL SH	2	3	
1424659 SACC-M12MR-5PL SH	2	3	
1424660 SACC-M12FS-5PL SH	2	3	
1424661 SACC-M12FR-5PL SH	2	3	
1424662 SACC-M12MSB-5PL SH	1	2	
1424663 SACC-M12MRB-5PL SH	1	2	
1424664 SACC-M12FSB-5PL SH	1	2	
1424665 SACC-M12FRB-5PL SH	1	2	
1424666 SACC-M12MS-4PL SH	2	3	
1424667 SACC-M12MR-4PL SH	2	3	
1424668 SACC-M12FS-4PL SH	2	3	
1424669 SACC-M12FR-4PL SH	2	3	
1424670 SACC-M12MS-5PL SH DN	1	2	
1424671 SACC-M12MR-5PL SH DN	1	2	
1424672 SACC-M12FS-5PL SH DN	1	2	

Item	Hardware / Firmware old	Hardware / Firmware new	Substitute item
1424673 SACC-M12FR-5PL SH DN	1	2	
1424674 SACC-M12MSB-5PL SH IB	1	2	
1424675 SACC-M12MRB-5PL SH IB	1	2	
1424676 SACC-M12FSB-5PL SH IB	1	2	
1424677 SACC-M12FRB-5PL SH IB	1	2	
1424678 SACC-M12MSB-2PL SH PB	1	2	
1424679 SACC-M12MRB-2PL SH PB	1	2	
1424680 SACC-M12FSB-2PL SH PB	1	2	
1424681 SACC-M12FRB-2PL SH PB	1	2	
1424682 SACC-M12MSD-4PL SH PN	1	2	
1424683 SACC-M12FSD-4PL SH PN	1	2	
1424684 SACC-M12MRD-4PL SH PN	1	2	
1424685 SACC-M12FRD-4PL SH PN	1	2	
1424686 SACC-M12MS-5PL	0	1	
1424688 SACC-M12MR-5PL	0	1	
1424689 SACC-M12FS-5PL	0	1	
1424690 SACC-M12FR-5PL	0	1	
1424695 SACC-M12MSB-3PL SH PB	1	2	
1424696 SACC-M12FSB-3PL SH PB	1	2	
1424697 SACC-M12MRB-3PL SH PB	1	2	

Item	Hardware / Firmware old	Hardware / Firmware new	Substitute item
1424698 SACC-M12FRB-3PL SH PB	1	2	
1424699 SACC-M12MS-4PL SH CCL	1	2	
1424700 SACC-M12FS-4PL SH CCL	1	2	
1095770 SACC-MS-4PL SCO	0	1	
1095772 SACC-FS-4PL SCO	0	1	
1424654 SACC-M12MR-4PL M	1	2	
1424655 SACC-M12FS-4PL M	1	2	
1424656 SACC-M12FR-4PL M	1	2	
1424657 SACC-M12MS-4PL M	1	2	
1424691 SACC-M12MS-4PL	0	1	
1424692 SACC-M12MR-4PL	0	1	
1424693 SACC-M12FS-4PL	0	1	
1424694 SACC-M12FR-4PL	0	1	

Item	Order designation	Hardware / Firmware old	Hardware / Firmware new	Substitute item	Replacement product designation	eCl@ss 9.0
1424649	SACC-M12MS-5PL M	1	2			27440102
1424651	SACC-M12MR-5PL M	1	2			27440102
1424652	SACC-M12FS-5PL M	1	2			27440102
1424653	SACC-M12FR-5PL M	1	2			27440102
1424658	SACC-M12MS-5PL SH	2	3			27440102
1424659	SACC-M12MR-5PL SH	2	3			27440102
1424660	SACC-M12FS-5PL SH	2	3			27440102
1424661	SACC-M12FR-5PL SH	2	3			27440102
1424662	SACC-M12MSB-5PL SH	1	2			27440102
1424663	SACC-M12MRB-5PL SH	1	2			27440102
1424664	SACC-M12FSB-5PL SH	1	2			27440102
1424665	SACC-M12FRB-5PL SH	1	2			27440102
1424666	SACC-M12MS-4PL SH	2	3			27440102
1424667	SACC-M12MR-4PL SH	2	3			27440102
1424668	SACC-M12FS-4PL SH	2	3			27440102
1424669	SACC-M12FR-4PL SH	2	3			27440102
1424670	SACC-M12MS-5PL SH DN	1	2			27440102
1424671	SACC-M12MR-5PL SH DN	1	2			27440102
1424672	SACC-M12FS-5PL SH DN	1	2			27440102
1424673	SACC-M12FR-5PL SH DN	1	2			27440102
1424674	SACC-M12MSB-5PL SH IB	1	2			27440102
1424675	SACC-M12MRB-5PL SH IB	1	2			27440102
1424676	SACC-M12FSB-5PL SH IB	1	2			27440102
1424677	SACC-M12FRB-5PL SH IB	1	2			27440102
1424678	SACC-M12MSB-2PL SH PB	1	2			27440102
1424679	SACC-M12MRB-2PL SH PB	1	2			27440102
1424680	SACC-M12FSB-2PL SH PB	1	2			27440102
1424681	SACC-M12FRB-2PL SH PB	1	2			27440102
1424682	SACC-M12MSD-4PL SH PN	1	2			27440102
1424683	SACC-M12FSD-4PL SH PN	1	2			27440102
1424684	SACC-M12MRD-4PL SH PN	1	2			27440102
1424685	SACC-M12FRD-4PL SH PN	1	2			27440102
1424686	SACC-M12MS-5PL	0	1			27440102
1424688	SACC-M12MR-5PL	0	1			27440102
1424689	SACC-M12FS-5PL	0	1			27440102
1424690	SACC-M12FR-5PL	0	1			27440102
1424695	SACC-M12MSB-3PL SH PB	1	2			27440102
1424696	SACC-M12FSB-3PL SH PB	1	2			27440102
1424697	SACC-M12MRB-3PL SH PB	1	2			27440102
1424698	SACC-M12FRB-3PL SH PB	1	2			27440102
1424699	SACC-M12MS-4PL SH CCL	1	2			27440102
1424700	SACC-M12FS-4PL SH CCL	1	2			27440102
1095770	SACC-MS-4PL SCO	0	1			
1095772	SACC-FS-4PL SCO	0	1			
1424654	SACC-M12MR-4PL M	1	2			27440102
1424655	SACC-M12FS-4PL M	1	2			27440102
1424656	SACC-M12FR-4PL M	1	2			27440102
1424657	SACC-M12MS-4PL M	1	2			27440102
1424691	SACC-M12MS-4PL	0	1			27440102

1424692	SACC-M12MR-4PL	0	1	27440102
1424693	SACC-M12FS-4PL	0	1	27440102
1424694	SACC-M12FR-4PL	0	1	27440102

Notification of change

UL added – KBF140004

- Connectors for assembly with Push-in connection
 - SACC-M12...PL...
 - SACC-M12...PL...SH...



Notification of change

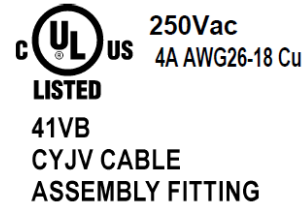
UL added – KBF140004

- Information on packaging bag added

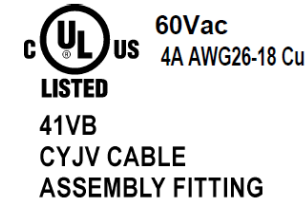
- China RoHS



- cULus listed – 250V types



and 60V types



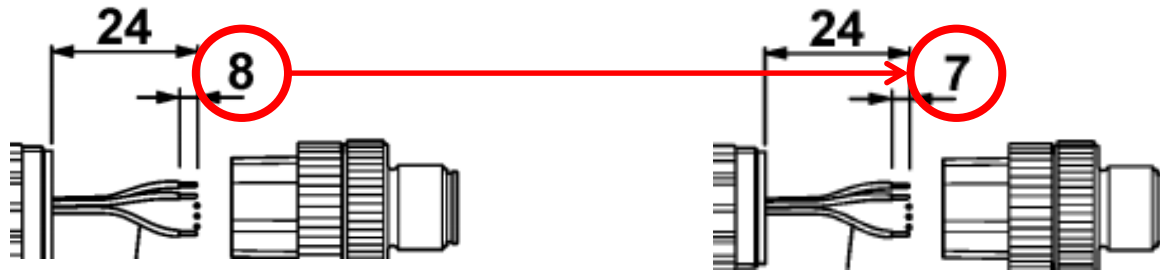
- Scale for easier cable stripping



Notification of change

UL added – KBF140004

- Information on packaging bag changed
 - Stripping length of single wires change from 8 mm to 7 mm



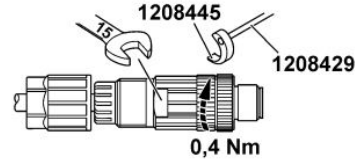
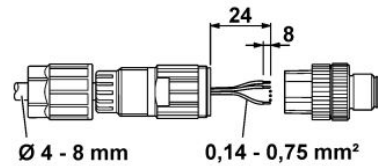
- With 8 mm stripping length, you can be sure to have a secure connection.
- But if you assemble stranded wires with ferrules and sometimes without, you will have the same stripping length.

Notification of change

UL added – KBF140004

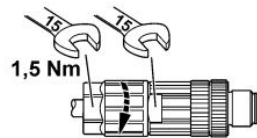
- Packaging print 250V types

old

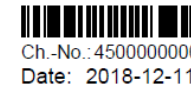
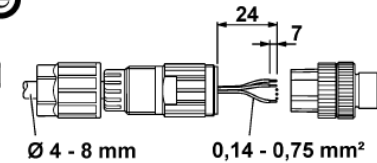


SACC-M12MS-5PL M

Ord.No.: **14 24 64 9**
Made by Phoenix Contact in Germany



new

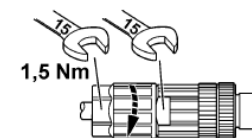
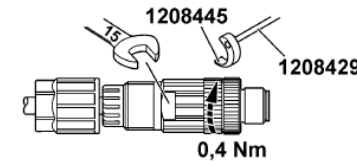
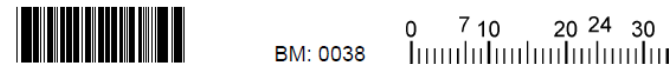


CAUTION: NOT FOR INTERRUPTING CURRENT / ATTENTION: NE PAS UTILISER POUR COUPER LE COURANT



Pieces: 1 V/C: 02
SACC-M12MS-4PL M

Ord.No.: 14 24 65 7
Made by Phoenix Contact in Germany




Notification of change

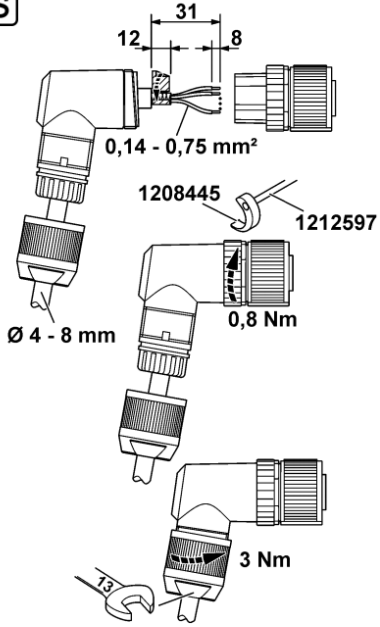
UL added – KBF140004

- Packaging print 60V types


old




PHOENIX CONTACT GmbH & Co. KG
Flachsmarktstr. 8
32825 Blomberg, Germany




ERAC



Ch.-No.: 1234567890
Date: 2017-09-12




4 0 5 5 6 2 6 3 7 5 9 6 0




Pieces: 1 V/C: 01
SACC-M12FR-4PL SH

Ord.No.: **14 24 66 9**
Made by Phoenix Contact in Germany

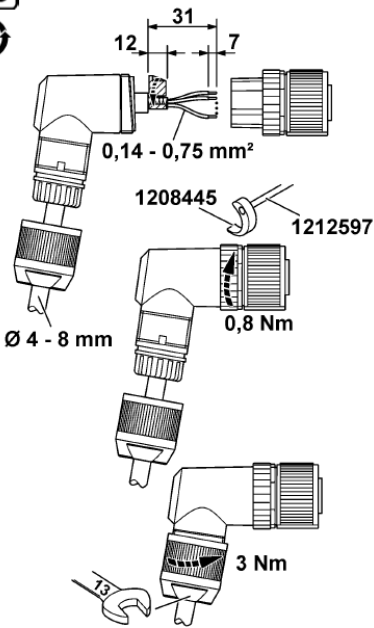


BM: 0038


new




PHOENIX CONTACT GmbH & Co. KG
Flachsmarktstr. 8, D-32825 Blomberg
www.phoenixcontact.com




ERAC




60Vac
4A AWG26-18 Cu
LISTED
41VB
CYJV CABLE
ASSEMBLY FITTING



Ch.-No.: 4500000000
Date: 2018-12-11
CAUTION: NOT FOR INTERRUPTING CURRENT / ATTENTION: NE PAS UTILISER POUR COUPER LE COURANT




4 0 5 5 6 2 6 3 7 5 9 6 0



Pieces: 1 V/C: 03
SACC-M12FR-4PL SH

Ord.No.: 14 24 66 9
Made by Phoenix Contact in Germany



BM: 0038

