

Product change information (PCN)

PCN No.:	ACK 170096	Date:	29.08.2017
Product:	Single relay REL-MR... Change to production process and packaging		

Order No.	Designation	As of product revision	Hardware/Firmware, old	Hardware/Firmware, new
	See product list			

Description of the change

Product appearance (fit)
 Product geometry (form)
 Product function (function)

Change to production process and packaging

Due to a change in the production process, the external appearance of the relay will change. Technical data will not change! The contact springs will no longer be tin-plated. However, the contact connection pins will now be dip soldered (previously electroplated).

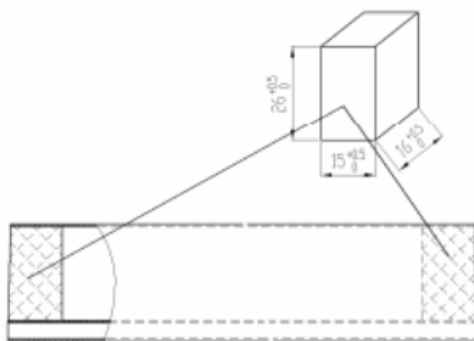
New end plugs will be used in packaging.

The changes are shown in the figures.

Previous production status



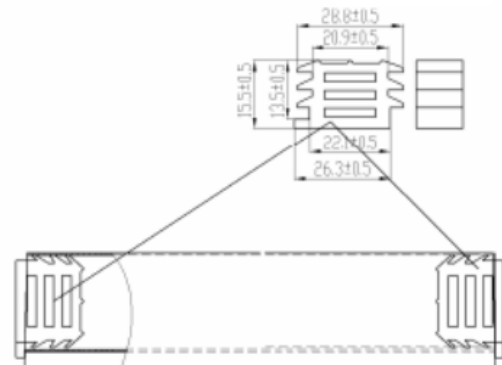
Normal stopper



New production status



New stopper



Expected initial delivery of the changed product(s)

Q1/2018