

Product Change Notification

PCN-PCC-262-2017

Business Unit	Product Line Code	Type of Change	Action	Date of Issue
PCC - PCB Connectors	AAC	Product Change Notification	Notify Distributors and Field	2/3/2017

The following Phoenix Contact products have been modified. Existing specifications will be met or exceeded. Please review and acknowledge this document and inform your personnel as needed.

Description for Product Change Notification

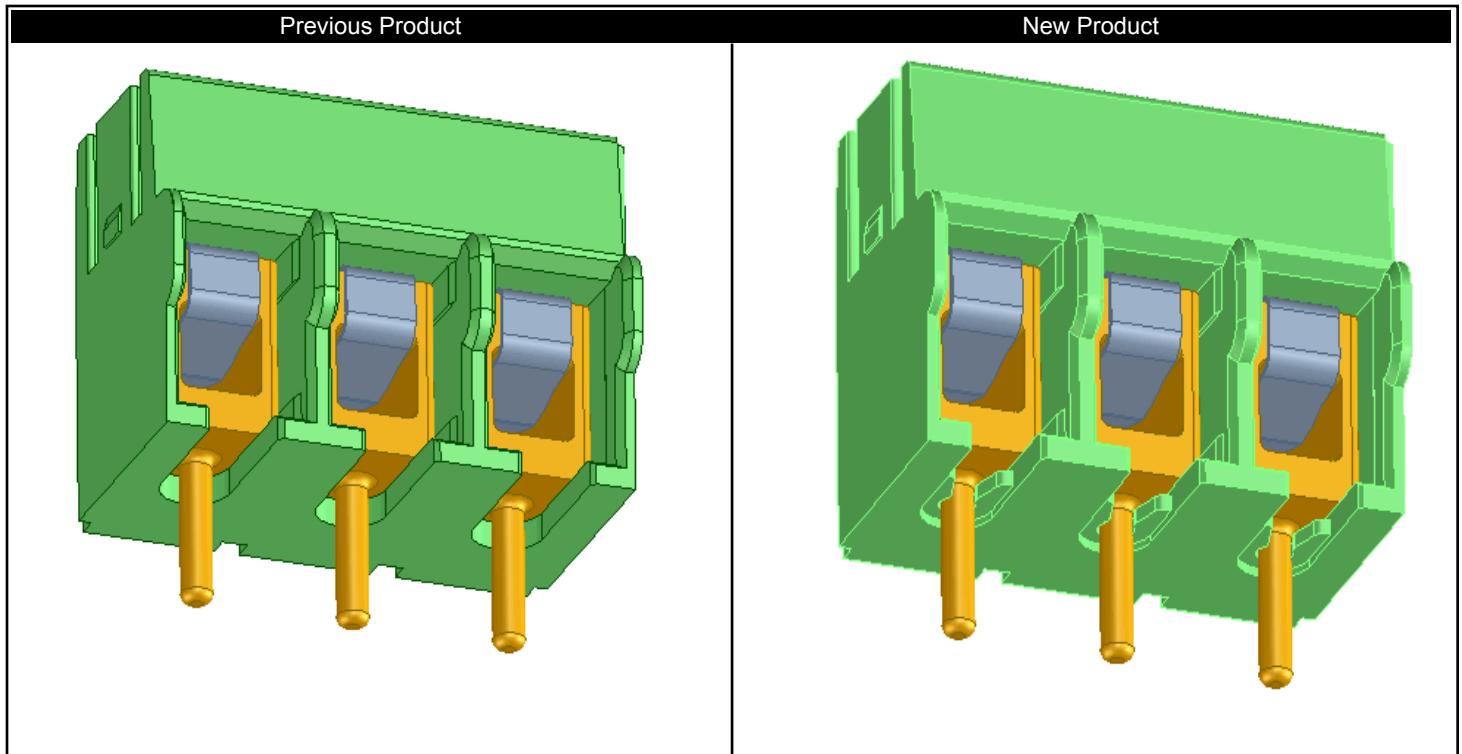
The fixed solder pin connection has been improved for PT 1,5-5,0-H. The design of the vertical versions will be updated analogously. Technical characteristics are not influenced by this change in any way. Part numbers also affected: 1844497 1992573 1768156 1990601 1991228 1712730 1712731 1701355 1746990 1991354 1704644 1737938 1737941 1706341 1992586 1988422 1715015

Stock Status

Can existing stock still be used? Yes
Is mixture of stock acceptable? Yes

Transaction Dates

Date modification goes into effect from Germany: 2/3/2017
Expected first shipment (from Phoenix Contact) of the modified products(s): 1/11/2016





Phoenix Contact Inc.
P.O. BOX 4100
Harrisburg, PA 17111-0100
Phone: 717-944-1300
Fax: 717-944-1625

Product Change Notification

Should you have any issues with the timeline or content of this product change, please contact Phoenix Contact using the information below. Customers should acknowledge receipt of the PCN within 30 days of delivery of the PCN; provided, however, that the failure to acknowledge receipt does not affect the product change or the effective date thereof.

Contact Info:

Harold McKee
hmckee@phoenixcon.com

Thank you,

A handwritten signature in black ink, appearing to read 'JDunbar', is positioned above a horizontal line.

James Dunbar

Product Marketing Manager PCC



Phoenix Contact Inc.
P.O. BOX 4100
Harrisburg, PA 17111-0100
Phone: 717-944-1300
Fax: 717-944-1625

Product Change Notification

Part #	Type Description
1935174	PT 1,5/ 3-5,0-H
1991642	PT 1,5/ 3-5,0-H (1,3)
1989450	PT 1,5/ 3-5,0-H BK
1935323	PT 1,5/ 3-5,0-V
1935190	PT 1,5/ 5-5,0-H
1989476	PT 1,5/ 5-5,0-H BK
1730197	PT 1,5/ 5-5,0-H KMGY
1935349	PT 1,5/ 5-5,0-V
1935200	PT 1,5/ 6-5,0-H
1989489	PT 1,5/ 6-5,0-H BK
1989984	PT 1,5/ 6-5,0-H GY
1935352	PT 1,5/ 6-5,0-V
1935213	PT 1,5/ 7-5,0-H
1989492	PT 1,5/ 7-5,0-H BK
1730207	PT 1,5/ 7-5,0-H KMGY
1935365	PT 1,5/ 7-5,0-V
1989502	PT 1,5/ 8-5,0-H BK
1935226	PT 1,5/ 8-5,0-H
1730210	PT 1,5/ 8-5,0-H KMGY
1935378	PT 1,5/ 8-5,0-V
1935239	PT 1,5/ 9-5,0-H
1989515	PT 1,5/ 9-5,0-H BK
1989971	PT 1,5/ 9-5,0-H GY
1935381	PT 1,5/ 9-5,0-V
1935242	PT 1,5/10-5,0-H
1989528	PT 1,5/10-5,0-H BK
1935394	PT 1,5/10-5,0-V
1935255	PT 1,5/11-5,0-H
1989531	PT 1,5/11-5,0-H BK
1935404	PT 1,5/11-5,0-V
1935268	PT 1,5/12-5,0-H
1989544	PT 1,5/12-5,0-H BK
1935417	PT 1,5/12-5,0-V
1935271	PT 1,5/13-5,0-H
1989557	PT 1,5/13-5,0-H BK
1935420	PT 1,5/13-5,0-V
1935284	PT 1,5/14-5,0-H
1989560	PT 1,5/14-5,0-H BK
1935433	PT 1,5/14-5,0-V
1935297	PT 1,5/15-5,0-H
1989573	PT 1,5/15-5,0-H BK
1935446	PT 1,5/15-5,0-V
1935307	PT 1,5/16-5,0-H
1989586	PT 1,5/16-5,0-H BK
1935459	PT 1,5/16-5,0-V