

## PRODUCT CHANGE NOTIFICATION

#PCN-ICC-B36E-16

| Business Unit | Product Line Code | Type of Change | Action                        | Date of issue |
|---------------|-------------------|----------------|-------------------------------|---------------|
| ICC           | BE1               | Mechanical     | Notify Distributors and Field | 2/26/2016     |

*The following Phoenix Contact products have been modified. Existing specifications will be met or exceeded. Please review and acknowledge this document and inform your personnel as needed.*

### Description of Change:

The housing has been modified due to the manufacturing process. New injection molding tools will be implemented into the process. The marking area will be slightly changed and a date clock will be stamped on the housing for improved traceability.

### Warranty Information:

### Stock Status

Can existing stock still be used? Y

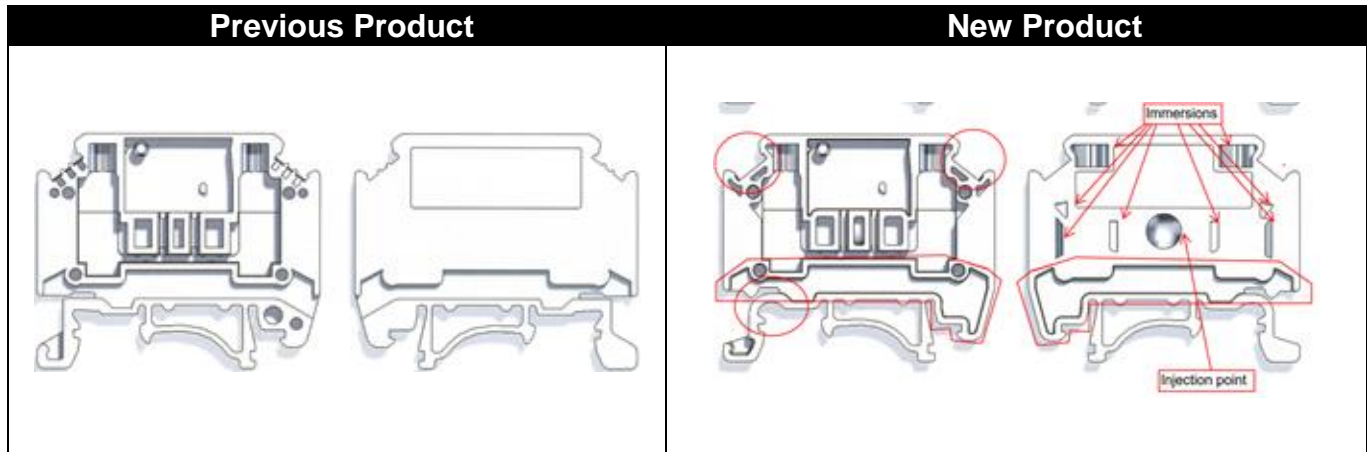
Is mixture of stock acceptable? Y

### Transaction Dates:

Date modification goes into effect from Germany: 7/1/2016

Expected first shipment (from Phoenix Contact) of the modified product(s): 8/1/2016

## PRODUCT CHANGE NOTIFICATION



*Should you have any issues with the timeline or content of this change, please contact Phoenix Contact using the contact information below. Customers should acknowledge receipt of the PCN within 30 days of delivery of the PCN; provided, however that the failure to acknowledge receipt does not affect the product change or the effective date thereof.*

**Contact Info:**

Alan Sappe'  
Senior Product Marketing Specialist  
(717)944-1300x3386  
asappe@phoenixcon.com

Thank you,

*Alan P. Sappe'*

---

Alan Sappe', Senior Marketing Specialist

## PRODUCT CHANGE NOTIFICATION

| Part#   | Type Description    |
|---------|---------------------|
| 3100017 | MTKD                |
| 3100020 | MTKD-P/P            |
| 3100046 | MTKD-FE/CUNI        |
| 3100047 | MTKD-FE/CUNI EX     |
| 3100059 | MTKD-CU/CUNI        |
| 3100060 | MTKD-CU/CUNI EX     |
| 3100062 | MTKD-NICR/NI        |
| 3100063 | MTKD-NICR/NI EX     |
| 3100075 | MTKD-NICR/CUNI      |
| 3100076 | MTKD-NICR/CUNI EX   |
| 3100091 | MTKD-E-CU/A-CU      |
| 3100092 | MTKD-E-CU/A-CU EX   |
| 3100101 | MTKD-S-CU/E-CU      |
| 3100102 | MTKD-S-CU/E-CU EX   |
| 3100103 | MTKD-NICRSI/NISI EX |