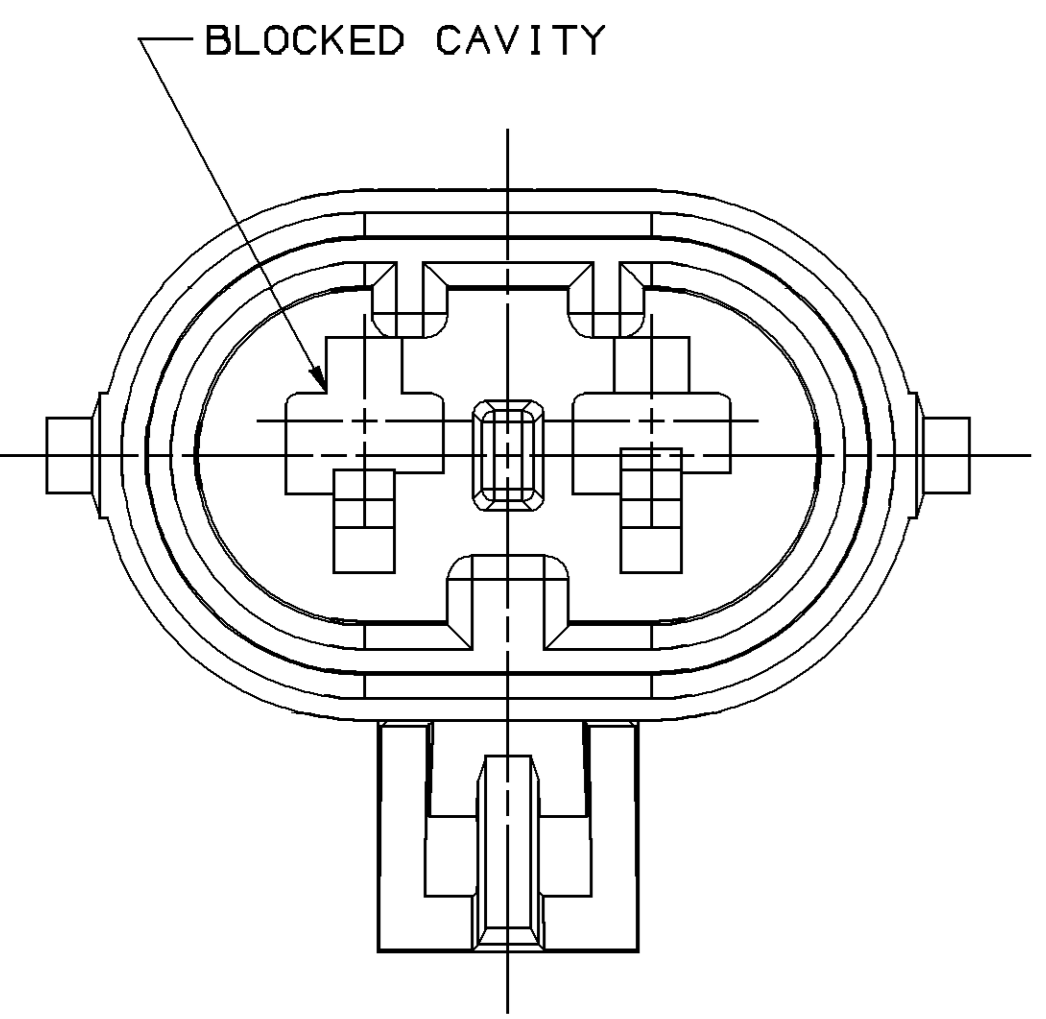
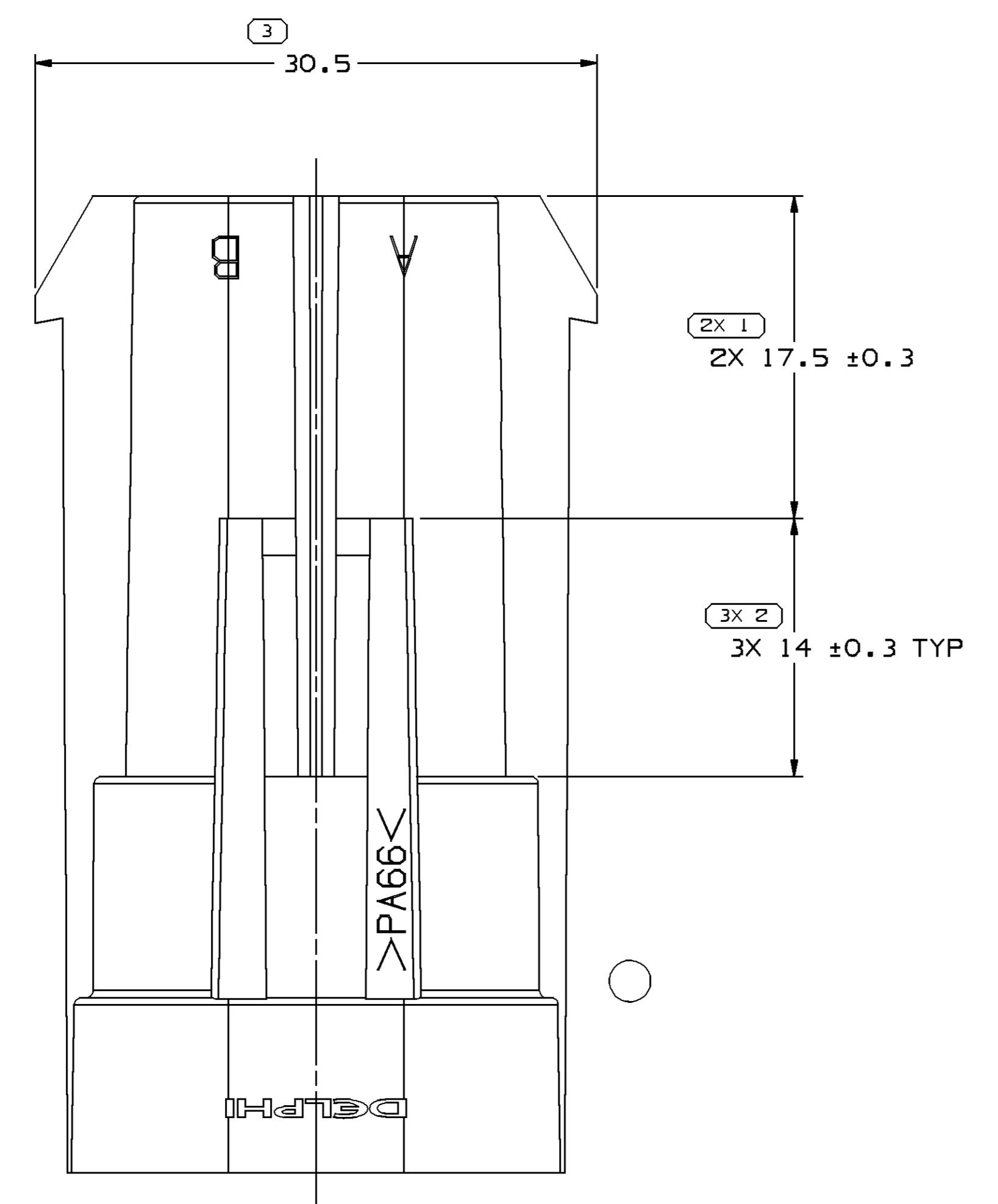
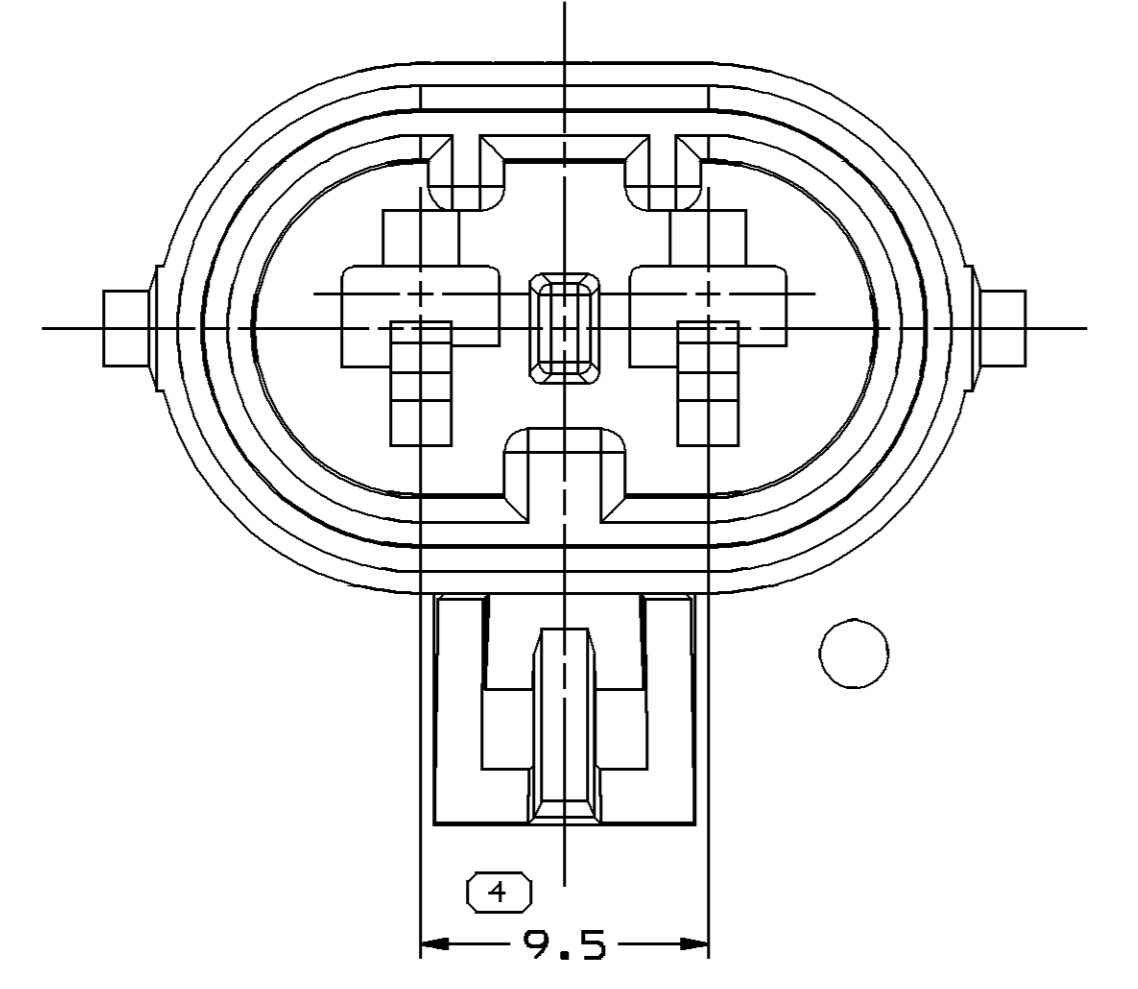


SYMBOL DEFINITION		TOTAL NO OF INSPECTIONS REQUIRED	15
A DIMENSION WITHOUT AN INSPECTION REPORT SYMBOL DOES NOT REQUIRE INSPECTION. IT MAY BE CONTROLLED ON THE INDIVIDUAL COMPONENT DRAWING.		LAST NO. USED	11

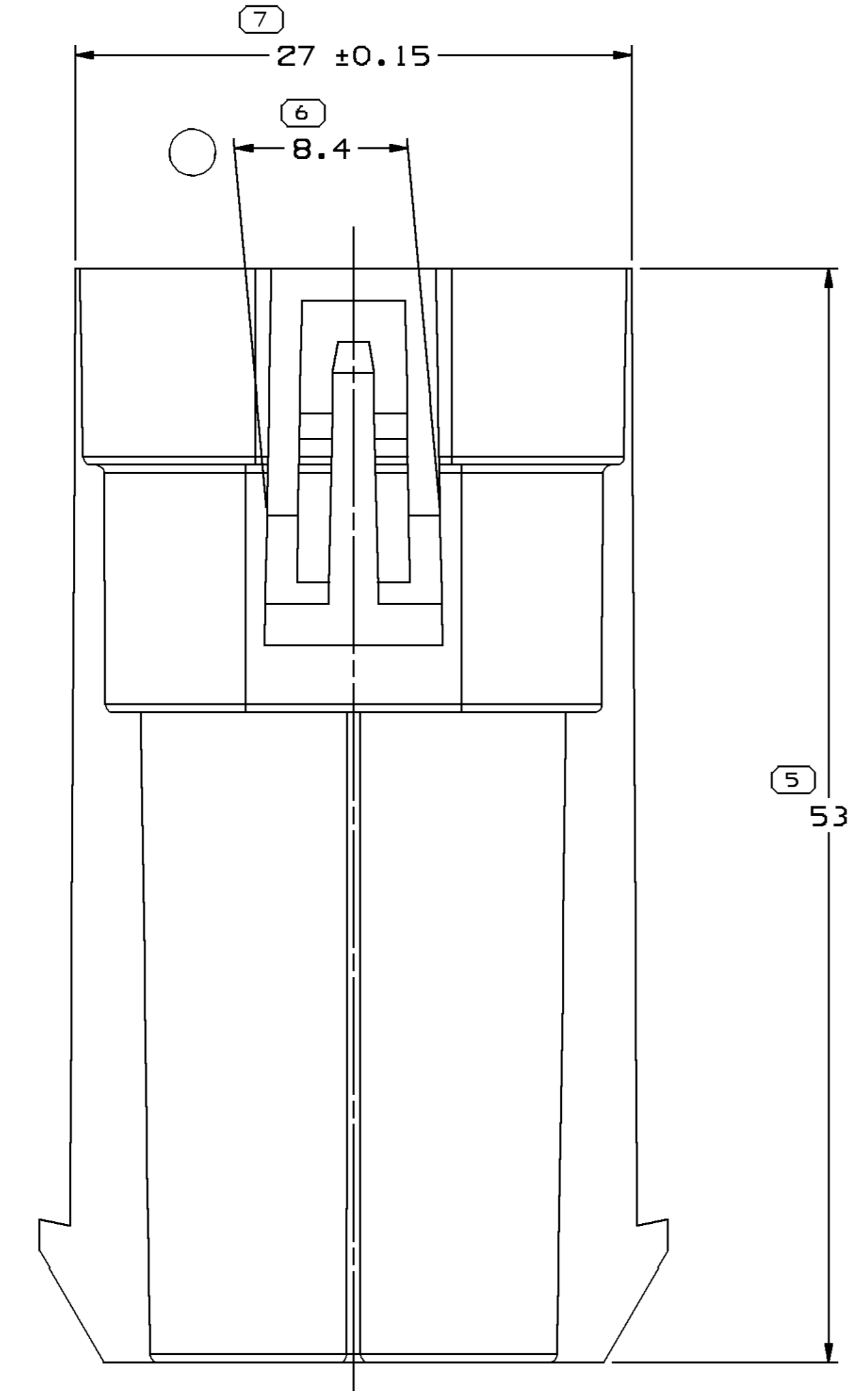
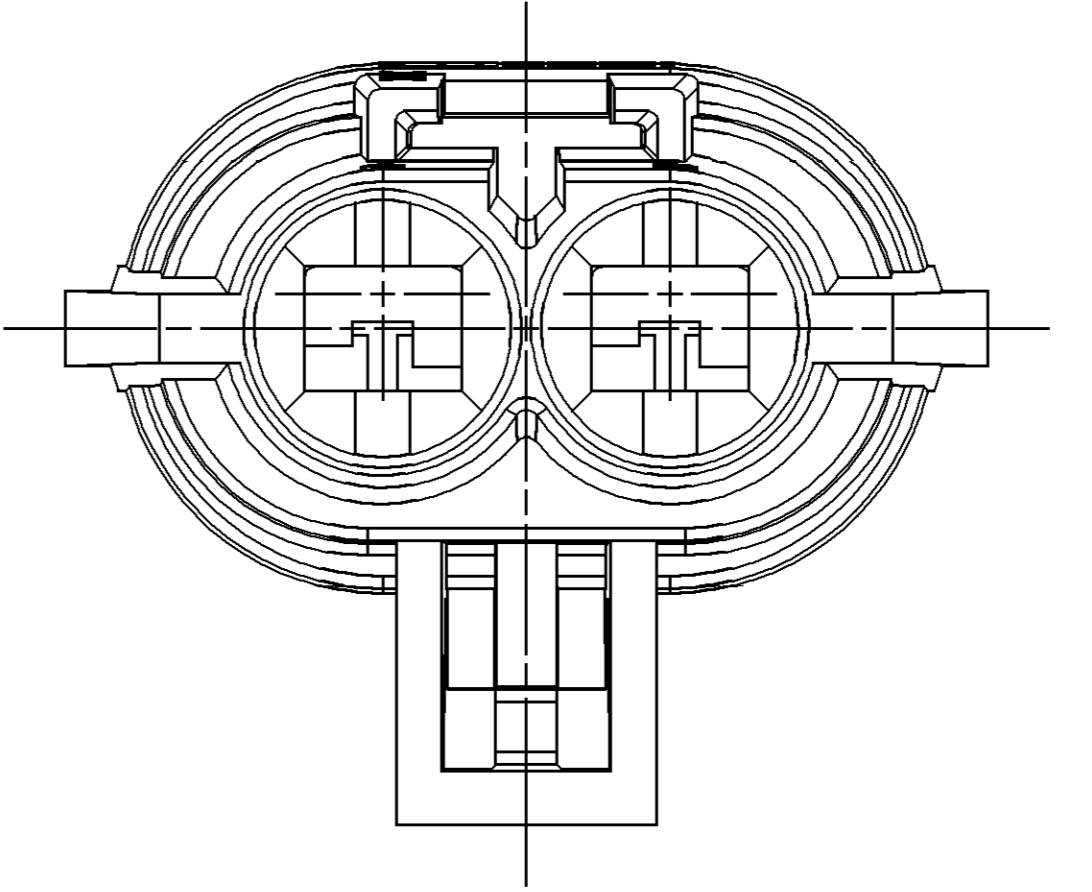
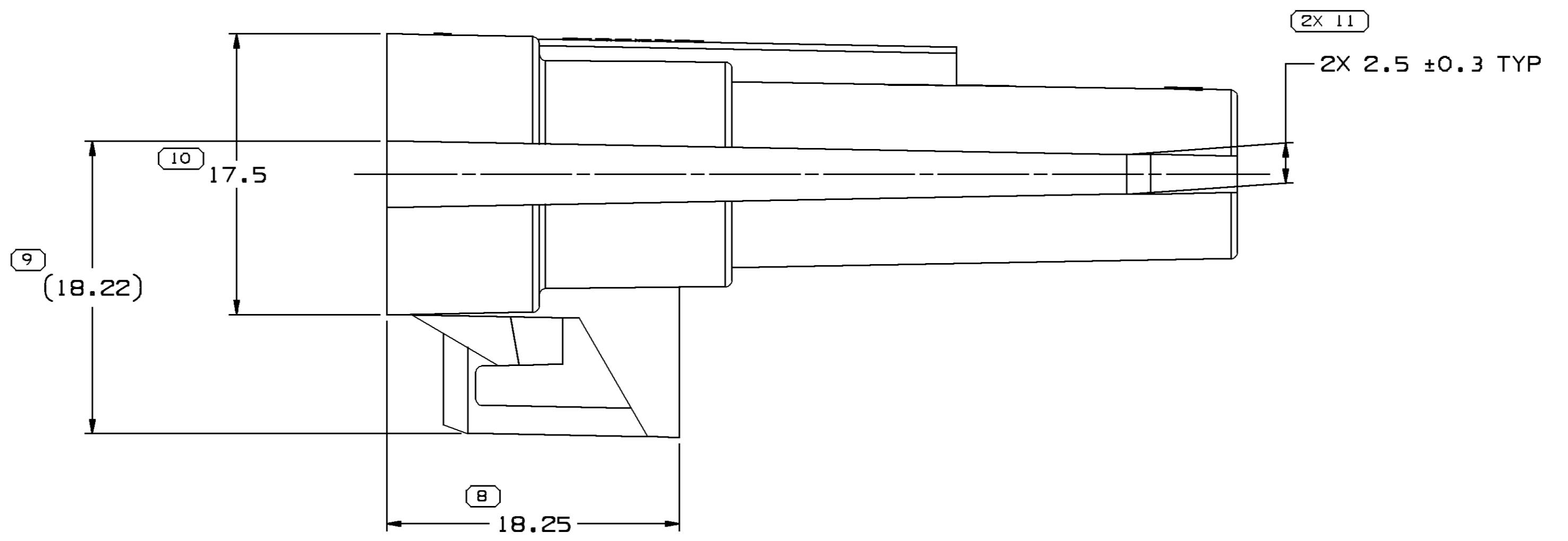
DWG STATUS				REVISION HISTORY				AUTH	DR	AP/VD
DATE	STG	REV	N/P	CHG	ZONE					
14FE05	R	02	-	-		ALL PARTS - REDRAWN TO PD AND UPDATED MAT'L SPEC	264690	CCV	JAA	ET
05JA06	R	03	-	-		ALL PARTS - ADDED BLOCKED CAVITY AND MATING CONNECTOR INFORMATION TO CHART	275972	JS	JS	B6
18MY06	R	04	-	-		ALL PARTS - ADDED RECYCLING CODE, DELPHI BRAND AND MATERIAL SAYER TO CLIP SLOTT. REVISED DRAFT ON LOCK FEATURE AND INDEX RIBS TO MAKE MODEL MATCH PART	280073	RH	RH	BD6



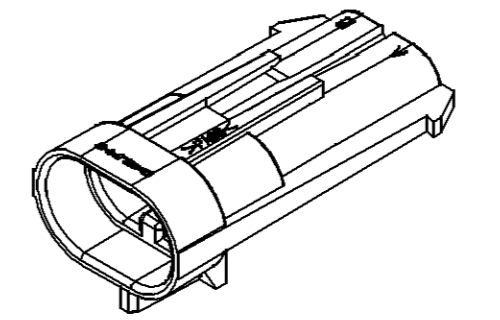
TYPE 102
SAME AS TYPE 101
EXCEPT AS SHOWN



TYPE 101



- NOTES
- UNLESS OTHERWISE SPECIFIED AND/OR INDICATED:
DIMENSIONS ARE TO FACE OF VIEW SHOWN AND AUTOMATICALLY ROUNDED BY COMPUTER FOR INSPECTION (SEE MATH MODEL FOR PRECISE DIMENSIONS). FOR ALL OTHER DIMENSIONS NOT SHOWN BUT REQUIRED FOR TOOL BUILD, SEE MATH MODEL FOR PRECISE TOOL PATH DATA.
 - MATERIAL RECYCLING CODE PER ISO 11469. (1,5)X(0,1) CHARACTERS AS SHOWN TO BE LOCATED ON ANY EXTERIOR SURFACE. OPTIONAL CONSTRUCTION TO BE NO MATERIAL RECYCLING CODE.
 - THIS PART ACCEPTS THE FOLLOWING COMPONENTS OR EQUIVALENT:
CAVITIES TO ACCEPT TERMINAL 12065196
SECONDARY TERMINAL LOCK 12059897
CABLE SEAL 12048442
CONNECTOR POSITION ASSURANCE LOCK 12020833
 - (1,1)X(0,1) DELPHI CORPORATE BRAND TO BE LOCATED ON ANY EXTERIOR SURFACE, PREFERABLY VISIBLE AT FINAL ASSEMBLY. OPTIONAL CONSTRUCTION TO BE "PED" OR NO LOGO.



PART NO	REV	N/P	STATUS	TYPE	MATERIAL SPECIFICATION AND COLOR	VOLUME (CM ³)	BLOCKED CAVITY	MATING CONNECTOR OR EQUIVALENT
12124362	A3	-	-	102	M3592025 PA66 HS IM GRA MD	7.404	B	12124388
12065863	D4	-	-	101	M3592001 PA66 HS IM BLK	7.379	-	12052613

DIMENSIONAL RANGE (MM)	TOLERANCE UNLESS OTHERWISE SPECIFIED	ANGLE OR TOLERANCE DEG
FROM > 0 TO > 20	±0.2	±1
> 20 TO > 30	±0.3	±1
> 30 TO > 70	±0.4	±1
> 70 TO > 100	±0.5	±1
> 100 TO > 150	±0.6	±1
> 150 TO > 200	±0.8	±1
> 200 TO > 300	±1.0	±1
> 300 TO > 400	±1.2	±1

DWG TYPE: PART DRAWING

STYLE: SEE CHART

DISTR CODE: D

UNLESS OTHERWISE SPECIFIED THIS DOCUMENT IS IN ACCORDANCE WITH ASME Y14.5M-1994 AS MODIFIED BY THE MDCS DIMENSIONING PRACTICES. DIMENSIONS AND TOLERANCES ARE IN MILLIMETERS UNLESS OTHERWISE SPECIFIED. DIMENSIONS IN PARENTHESES ARE FOR INFORMATION ONLY. DIMENSIONS IN BRACKETS ARE FOR INFORMATION ONLY. DIMENSIONS IN DASHES ARE FOR INFORMATION ONLY.

ALL DIMENSIONS ARE IN MILLIMETERS

THIRD ANGLE PROJECTION

DO NOT SCALE

USE MATH DATA

DELPHI
DELPHI PACKARD ELECTRIC SYSTEMS
WARREN, OH

DR	DATE
APV01 TERRY MARRIE	11FE96
APV02 TERRY MARRIE	11FE92
APV03 M.D. McEOWEN	13FE92
APV04	
APV05	

SUBSTANCES OF CONCERN AND RECYCLED CONTENT PER DELPHI 10947001

DRAWING NAME: TAXI CONN M W/P 480 SLD

DRAWING NUMBER: 12124385

SCALE: 4:1

FRAME NO: 1 OF 1

SHEET NO: 1 OF 1

REV: R 04