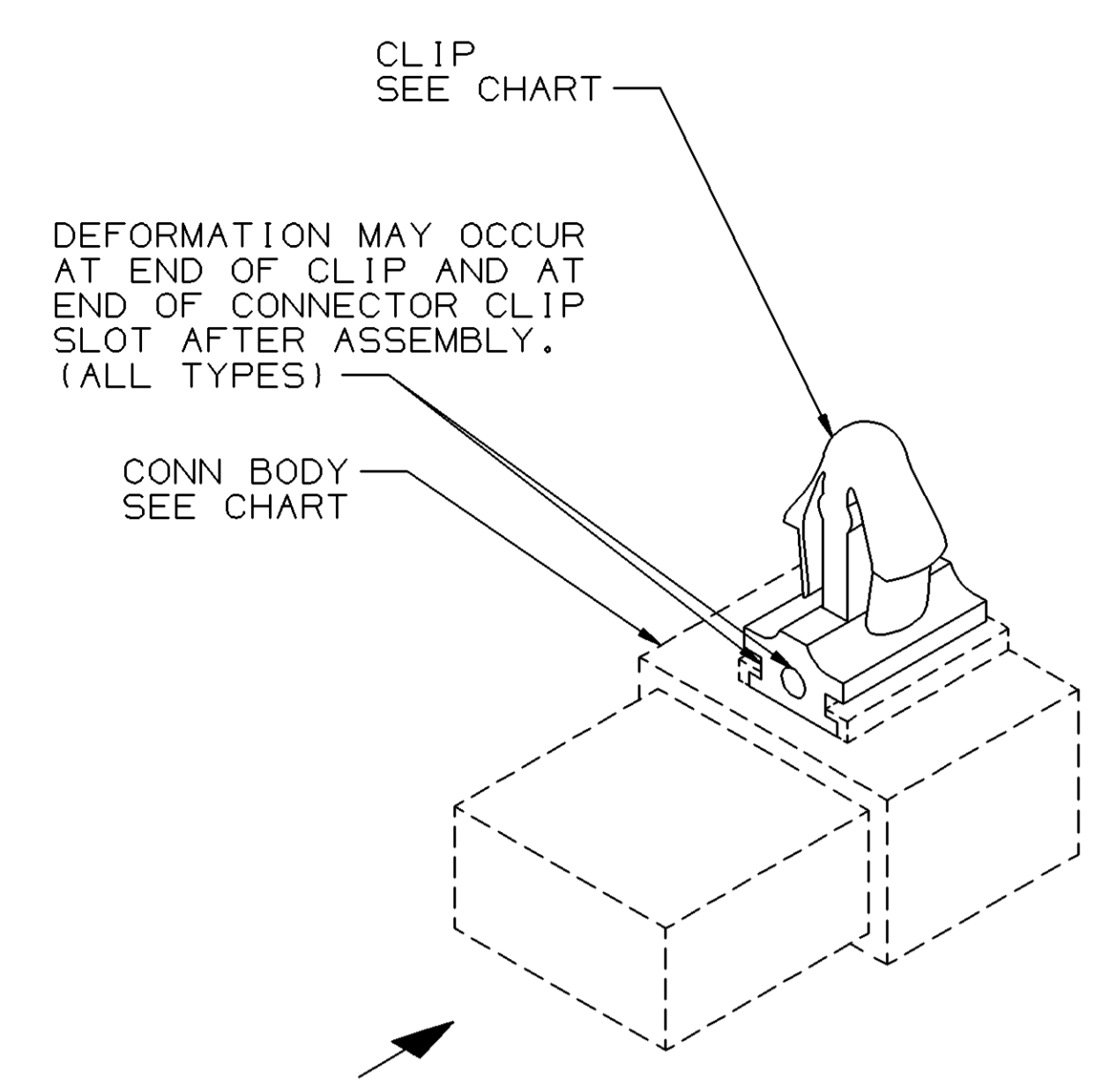
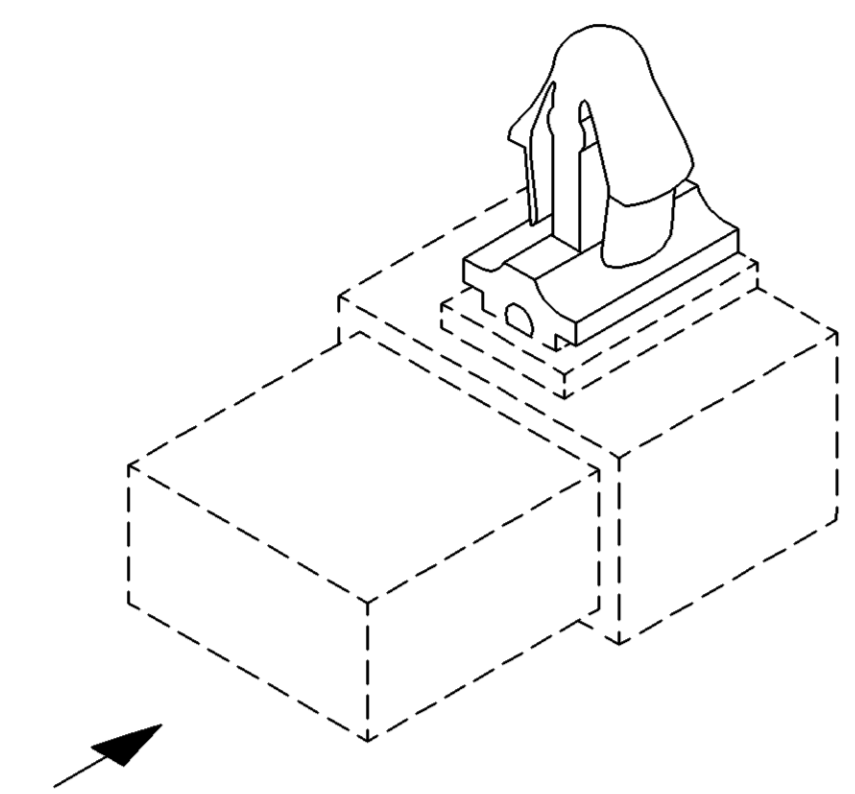


SYMBOL DEFINITION		TOTAL NO OF INSPECTIONS REQUIRED	MISSING SYMBOLS
A DIMENSION WITHOUT AN INSPECTION REPORT SYMBOL DOES NOT REQUIRE INSPECTION. IT MAY BE CONTROLLED ON THE INDIVIDUAL COMPONENT DRAWING.		1	NO MISSING SYMBOL NUMBER
		LAST NO. USED	1

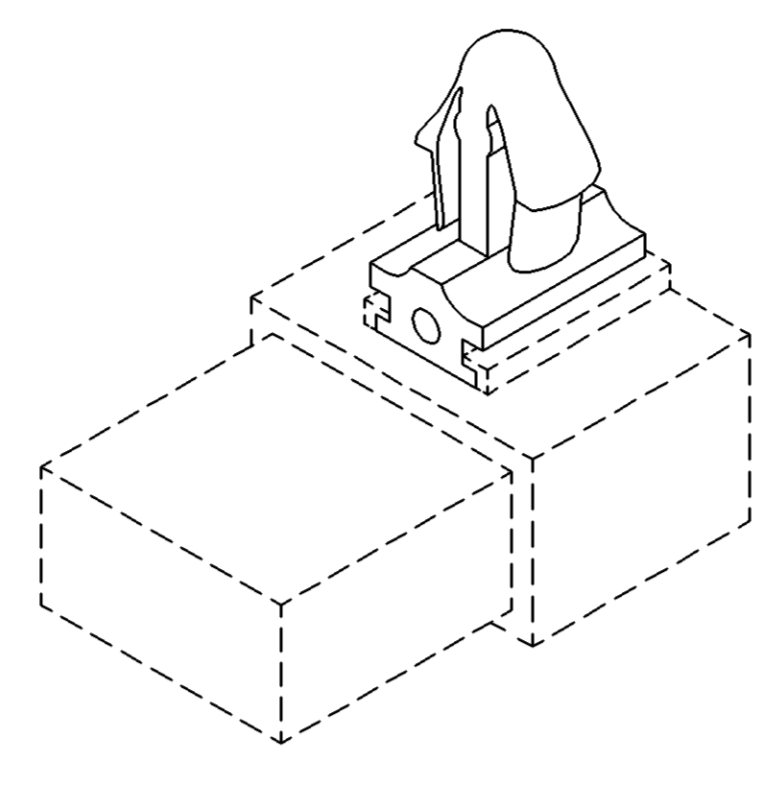
DATE	STG	REV	N/P	CHG	ZONE	REVISION HISTORY	AUTH	DR	APVD 1	APVD 2
09MY99	R	01	-	-	-	CLEARED REV COLUMN; 15366095-RELEASED	990005	LMN	JOS	ET
19MR99	R	02	-	-	-	12092223-ADDED FROM SHT # 8	192374	JHN	JVM	ET
17SE01	R	03	-	-	-	ALL PARTS - REVISED NOTES & CHART	212914	TSH	TSH	ET
31JL03	R	04	-	-	-	ALL ACTIVE PARTS - REVISED ASM NOTE 2	243742	JYD	EOV	FR
28JUN04	R	05	-	-	-	15366095, 12124476, 12047940, 12045815 AND 12010906 - OBSOLETE	256328	RTV	JAA	MGR
01SE04	R	06	-	-	-	12047490 IS RESTRICTED WAS OBSOLETE	258213	MAC	MAC	MGR
18JAO5	R	07	-	-	-	12066260, 12066460, 12162665, 12186368, 15317521, 15326755 AND 15358601 - ADDED NOTE TO VIEW	263138	RH	RH	WTM



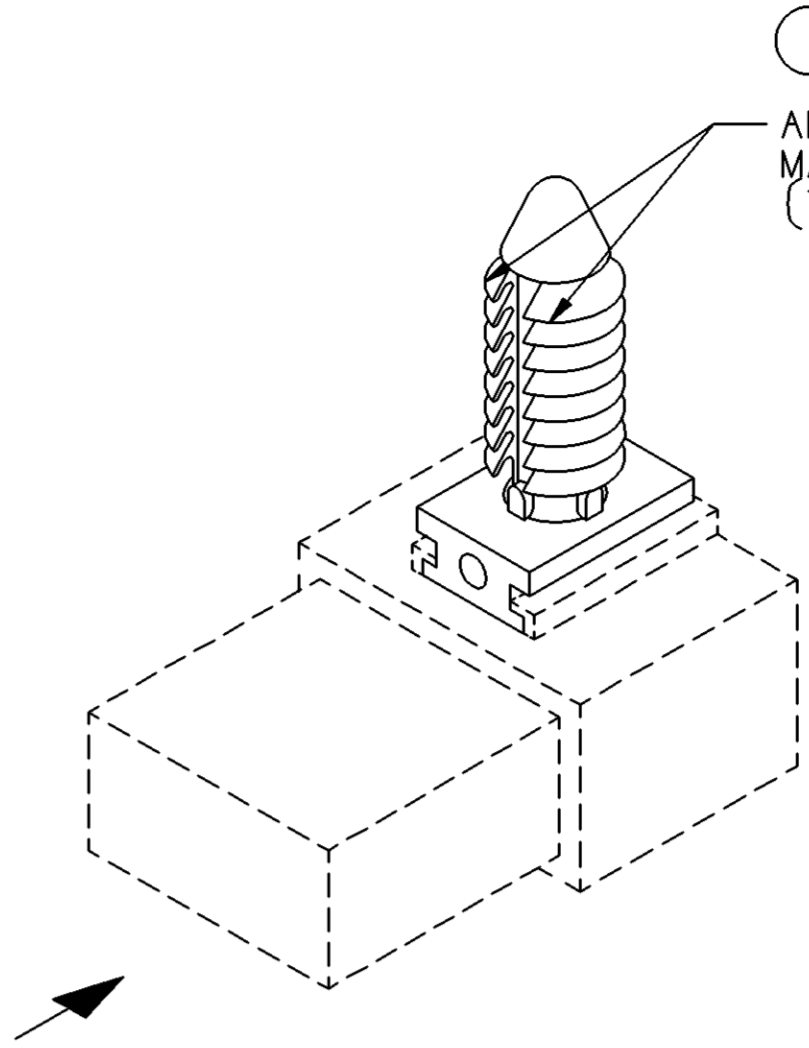
TYPE 901



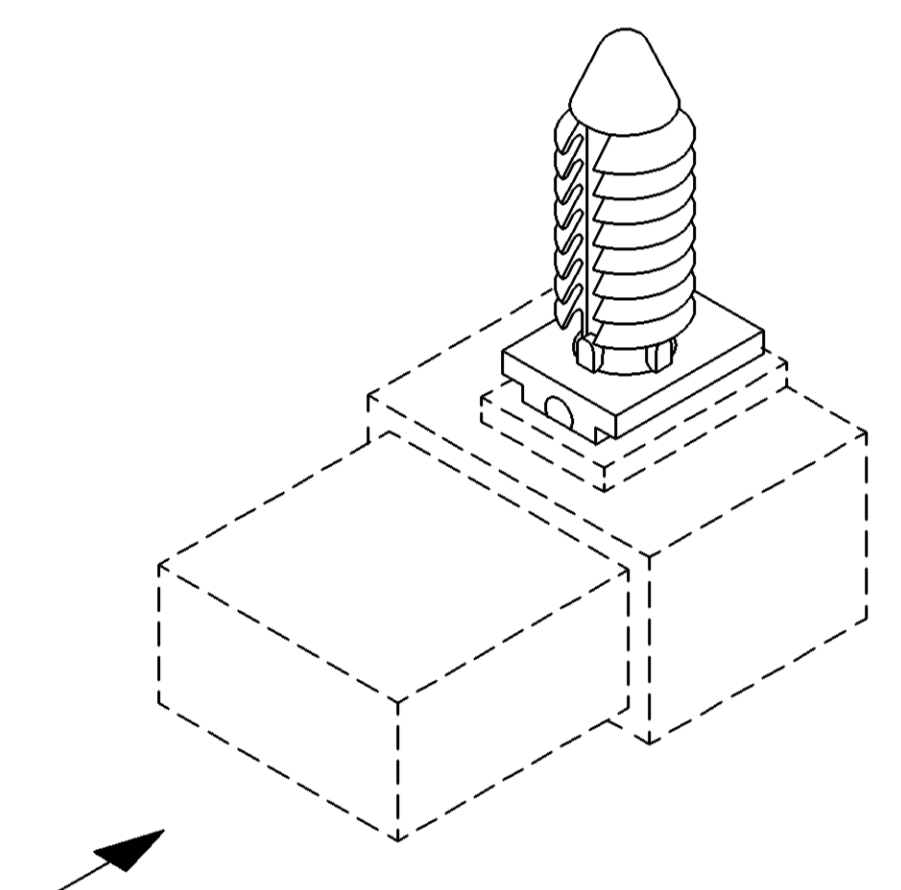
TYPE 902



TYPE 903



TYPE 904



TYPE 905

CONN BODY & CLIP ASM	REV	N/P	STATUS	CAVITY	CONN BODY	CLIP	TYPE	ASM NOTES	COLOR	SEALING CODE
15366095	01	AC	OBS	2	12077923	12047835	905	1,2	YEL	-
15358601	A4	-	-	2	12186989	12047835	904	1,2	YEL	-
15336275	B3	-	-	2	12186989	12084561	901	1,2	YEL	-
15326755	A4	-	-	7	12047933	12047835	904	1,2	GRA	3
15317803	A4	-	-	2	12010154	12084561	901	1,2	BLK	3
15317521	A5	-	-	10	12052189	12047835	904	1,2	GRA	3
12186368	A5	-	-	8	12047931	12047835	904	1,2	BLK	3
12162665	A5	-	-	2	12059450	12047835	904	1,2	BLK	3
12124635	A4	-	-	2	12092851	12084561	902	1,2	YEL	0
12124476	A5	-	OBS	4	12020651	12047835	904	1,2	BLK	0
12103483	B4	-	-	2	12059450	12084561	902	1,2	BLK	3
12092223	A5	-	-	2	12077923	12084561	902	1,2	YEL	0
12077509	B2	-	OBS	7	12065601	12084561	902	1,2	YEL	0
12066462	B4	-	-	6	12052200	12084561	902	1,2	BLK	3
12066460	A5	-	-	6	12020786	12047835	904	1,2	BLK	3
12066260	B5	-	-	7	12052200	12047835	904	1,2	BLK	3
12066075	A2	-	OBS	7	12052200	12047835	904	1,2	BLK	0
12059734	B4	-	-	6	12020786	12084561	901	1,2	BLK	3
12059600	B2	-	OBS	2	12034074	12084561	901	1,2	GRA	-
12047940	B6	-	RESTRICTED	8	12045802	12084561	902	1,2	BLK	0
12047887	C2	-	-	12	12040747	15355107	902	1,2	BLK	0
12045815	B5	-	OBS	5	12045803	12084561	902	1,2	BLK	0
12045544	B4	-	-	2	12034481	12084561	902	1,2	GRA	0
12033739	A4	-	-	4	12020651	8905563	903	1,2	BLK	0
12020416	A4	-	-	8	12010000	8905563	902	1,2	BLK	0
12015346	B4	-	-	6	12015345	12084561	902	1,2	BLK	0
12010906	B5	-	OBS	1	8911292	12084561	901	1,2	BLK	0
8900383	A2	-	OBS	10	2989621	2984811	901	1,2	BLK	-
2989875	BP2	-	OBS	10	2977689	8905563	901	1,2	NAT	-
2989792	BN2	-	OBS	7	2984857	2984811	901	1,2	BLK	-
2989594	AC2	-	OBS	7	2984459	2984811	901	1,2	BLK	-
2989564	BN2	-	OBS	12	2989526	2984811	901	1,2	BLK	-
2984955	BN2	-	OBS	6	2984830	2984811	901	1,2	BLK	-

NOTES

- UNLESS OTHERWISE SPECIFIED AND/OR INDICATED: DIMENSIONS ARE TO FACE OF VIEW SHOWN AND AUTOMATICALLY ROUNDED BY COMPUTER FOR INSPECTION. (SEE MATH MODEL FOR PRECISE DIMENSIONS.) FOR ALL OTHER DIMENSIONS NOT SHOWN BUT REQUIRED FOR TOOL BUILD, SEE MATH MODEL FOR PRECISE TOOL PATH DATA.
- ARROW INDICATES CABLE END.
- 8905563/12084561 CLIPS - USE 12084561 CLIP (GRAY) FOR NYLON CONNECTOR BODIES AND 8905563 FOR OTHER CONNECTOR BODY MATERIALS.
- PROCESS ENGINEERING AND MANUFACTURING DETERMINE THE PROPER METHOD OF ASSEMBLY TO SECURE CLIP TO CONNECTOR CLIP SLOT. ANY OF THE OPTIONAL CONSTRUCTION METHODS (LISTED IN ASSEMBLY NOTE #2) ARE PERMISSIBLE AS LONG AS DISENGAGE REQUIREMENTS ARE MAINTAINED FOR THE PROCESS SELECTED.
- REFERENCE ESA 737 FOR VPS.

ASM. NOTES

- ASSEMBLE CLIP SECURELY IN CONNECTOR BODY.
- OPTIONAL ASSEMBLY CONSTRUCTIONS ARE:
 - A. HEAT CRIMP - 30N MINIMUM DISENGAGE CLIP FROM CLIP SLOT
 - B. SONIC WELD - 30N MINIMUM DISENGAGE CLIP FROM CLIP SLOT
 - C. GLUE APPLICATION - 60N MINIMUM DISENGAGE CLIP FROM CLIP SLOT (APPLY M3549, M3520 OR M5263)

DIMENSIONAL RANGE (MM)	CHART ET
FROM 0 TO >0	>0
>0 TO >20	>20
>20 TO >30	>30
>30 TO >70	>70
>70 TO >100	>100
>100 TO >150	>150
>150 TO >200	>200
>200 TO >250	>250
>250 TO >300	>300
>300 TO >400	>400

UNLESS OTHERWISE SPECIFIED THIS DOCUMENT IS IN ACCORDANCE WITH ASME Y14.5M-1994 AS AMENDED BY THE 2003 ADDENDUM AND DIMENSIONING AND TOLERANCING ADDENDUM - 1997. ALL GEOMETRIC TOLERANCES AND RELATED SURFACE PROPERTIES SHALL BE PERFORMED FORM AS SPECIFIED UNLESS OTHERWISE SPECIFIED. DIMENSIONS UNLESS OTHERWISE SPECIFIED ARE IN MILLIMETERS. ALL DIMENSIONS ARE IN MILLIMETERS.

THIRD ANGLE PROJECTION

DO NOT SCALE

USE MATH DATA

UNSPRINGS

DELPHI
DELPHI PACKARD ELECTRIC SYSTEMS
WARREN, OH

DR	DATE
APVD1 J. HOUGELMAN	14AP88
APVD2 F. HESTON	05MY88
APVD3 W. K. CHIN	11MY88
APVD4	
APVD5	

MATERIAL

SUBSTANCES OF CONCERN AND RECYCLED CONTENT PER DELPHI 10949001

DRAWING NAME: TAXI ASM CONN

DRAWING NUMBER: 02973626

SIZE: A0
SCALE: NONE
FRAME NO: 1 OF 1
SHEET NO: 9 OF 9
REV: R 07