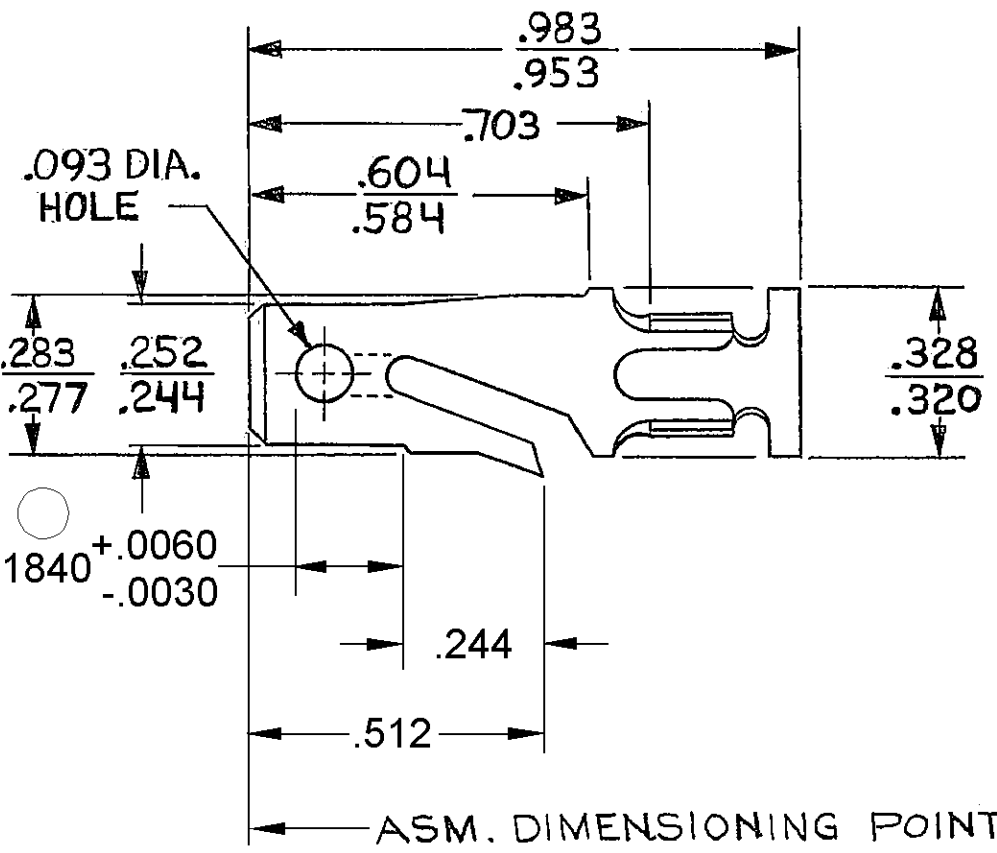
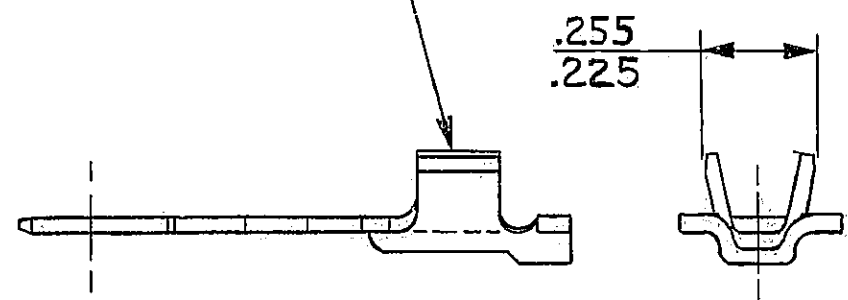


D THIS DRAWING AND DESIGN HEREON, CONSTITUTES A PROPRIETARY DESIGN OF PACKARD ELECTRIC DIVISION AND IS NOT TO BE DUPLICATED OR REPRODUCED WITHOUT AUTHORITY OF PACKARD ELECTRIC DIVISION.

DO NOT SCALE



CONDUCTOR WINGS FOR TWO 1.0 MM² CABLES



C02D2206

PACKARD ELECTRIC DIVISION
GENERAL MOTORS CORPORATION
WARREN, OHIO

PART NO		1204 1129			
DATE	SYM	REVISION RECORD	AUTH	DR	CK
09JN83	A	RELEASED	83005	PM	Jm
01AU83	B	REV. SYM. ADVANCED	86126	MS	Jm
16SE94	B1	REF WAS 2962874	164324	CP	CP
05DE05	B6	ADDED DIM .1840 +.0060 / -.0030 & REMOVED DIM (1 PLC)	274727	GPS	JVM
P.N.C. CODE					
CODE NO.	6900		TOLERANCE UNLESS OTHERWISE SPECIFIED		
QC			DECIMAL TWO PLACE ±.01	ANGULAR	
DWG. DATE	SCALE	DR.	THREE PLACE ±.005		
09JN83	NONE	David McFarland	09/JN/83		
EST NO	REFERENCE NO	CK.	DATE	APPR.	
	2962864 "D" SIZE SHT 3	J. Muehler	18JN83	DATE	
MATERIAL SPEC	.0320 THK. SAE CA 260				
	BRASS 1/2 HARD - TIN PLATED				
NAME	TERMINAL-MALE-56 SERIES				
PART NO	1204 1129				SIZE
	OUTLINE DRAWING				A